

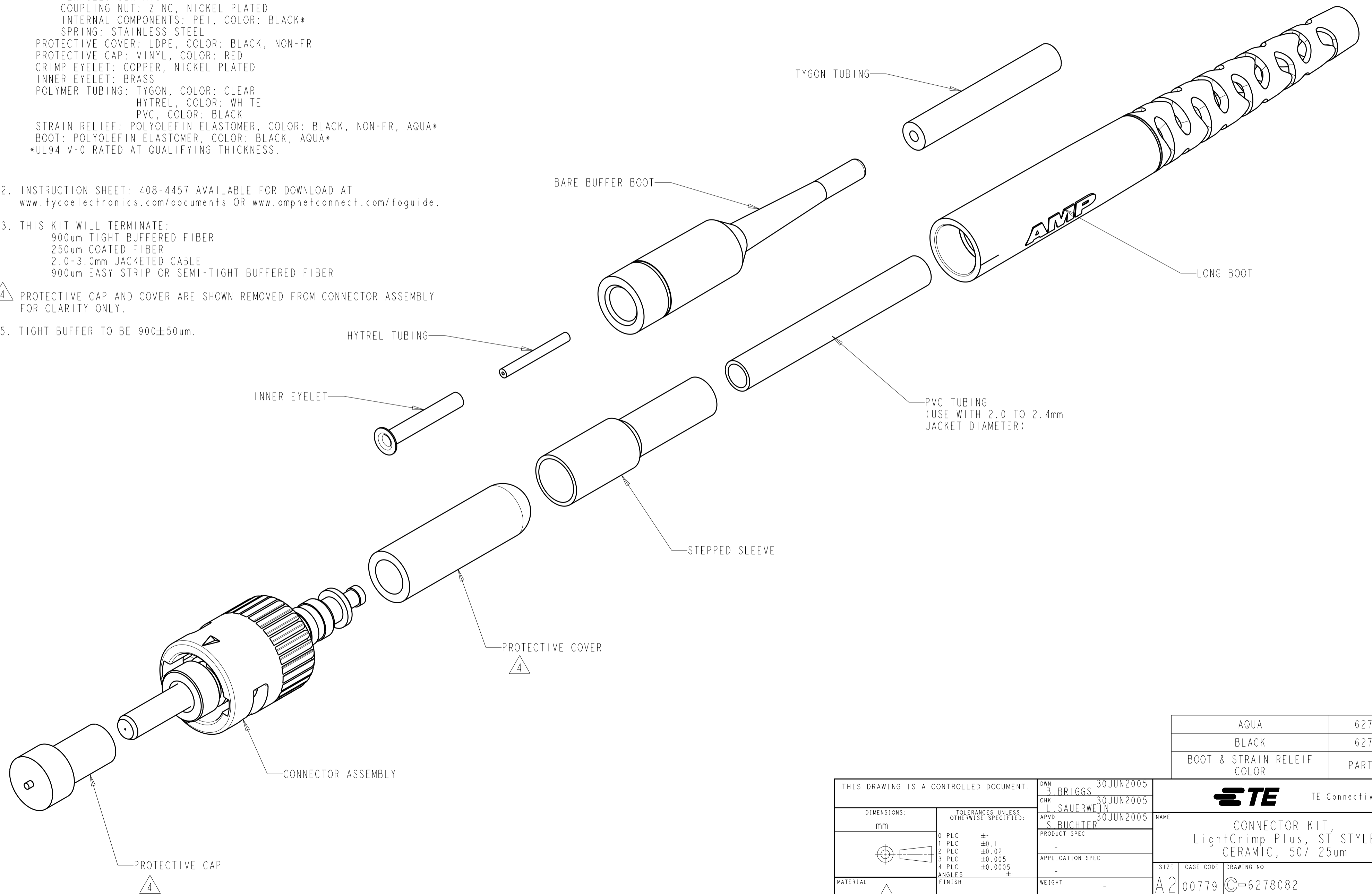
THIS DRAWING IS UNPUBLISHED. RELEASED FOR PUBLICATION 20
 © COPYRIGHT 20 ALL RIGHTS RESERVED.

LOC	DIST	REVISIONS			
P	LTR	DESCRIPTION	DATE	DWN	APVD
CE	00				
		CI	REVISED PER ECO-11-005139	27APR2011	RK HMR

- 1 MATERIAL:
 CONNECTOR ASSY
 REAR BODY: ALUMINUM ALLOY
 PLUNGER: ALUMINUM ALLOY
 FERRULE: CERAMIC
 COUPLING NUT: ZINC, NICKEL PLATED
 INTERNAL COMPONENTS: PEI, COLOR: BLACK*
 SPRING: STAINLESS STEEL
 PROTECTIVE COVER: LDPE, COLOR: BLACK, NON-FR
 PROTECTIVE CAP: VINYL, COLOR: RED
 CRIMP EYELET: COPPER, NICKEL PLATED
 INNER EYELET: BRASS
 POLYMER TUBING: TYGON, COLOR: CLEAR
 HYTREL, COLOR: WHITE
 PVC, COLOR: BLACK
 STRAIN RELIEF: POLYOLEFIN ELASTOMER, COLOR: BLACK, NON-FR, AQUA*
 BOOT: POLYOLEFIN ELASTOMER, COLOR: BLACK, AQUA*
 *UL94 V-0 RATED AT QUALIFYING THICKNESS.

2. INSTRUCTION SHEET: 408-4457 AVAILABLE FOR DOWNLOAD AT
www.tycoelectronics.com/documents OR www.ampnetconnect.com/foguide.
3. THIS KIT WILL TERMINATE:
 900um TIGHT BUFFERED FIBER
 250um COATED FIBER
 2.0-3.0mm JACKETED CABLE
 900um EASY STRIP OR SEMI-TIGHT BUFFERED FIBER

- 4 PROTECTIVE CAP AND COVER ARE SHOWN REMOVED FROM CONNECTOR ASSEMBLY FOR CLARITY ONLY.
5. TIGHT BUFFER TO BE 900±50um.



AQUA	6278082-2
BLACK	6278082-1
BOOT & STRAIN RELIEF COLOR	PART NUMBER

THIS DRAWING IS A CONTROLLED DOCUMENT.		DWN B. BRIGGS 30 JUN 2005	TE Connectivity		
DIMENSIONS: mm		CHK L. SAUERWEIN 30 JUN 2005			NAME
		APVD S. BUCHTER 30 JUN 2005			CONNECTOR KIT, LightCrimp Plus, ST STYLE CERAMIC, 50/125um
TOLERANCES UNLESS OTHERWISE SPECIFIED: 0 PLC ± 1 PLC ±0.1 2 PLC ±0.02 3 PLC ±0.005 4 PLC ±0.0005 ANGLES ± FINISH		PRODUCT SPEC -	SIZE	RESTRICTED TO	
MATERIAL		APPLICATION SPEC -	CAGE CODE A2 00779	DRAWING NO. 6278082	
1		WEIGHT -	SCALE 4:1 SHEET 1 OF 1 REV CI		
CUSTOMER DRAWING					