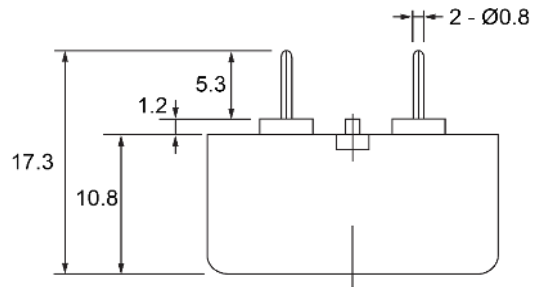
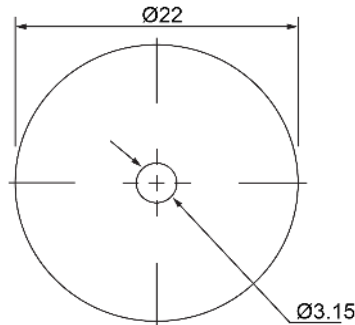


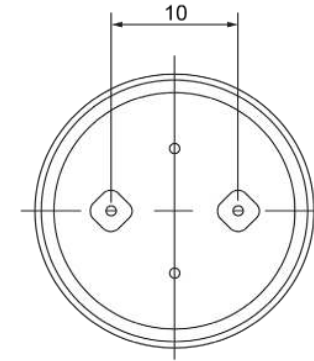
SIDE VIEW





TOP VIEW



BOTTOM VIEW



Specifications			Notes	Revision History							
Description	Value	Unit		Version	Description		Date	Approved			
Technology	Piezo		1) All dimensions are in mm unless otherwise noted 2) All parts meet RoHS	1	Released from Engineering		10/21/2013	J.S			
Resonant Frequency	2,000	(Hz)									
Rated Voltage	3	(V)									
SPL @ 10cm	70	(dBA)									
Capacitance	30,000	(pF)									
Mount Type	Thru Hole										
Voltage Range	1 ~ 30	(V)									
Max Rated Current	3	(mA)									
Housing Material	PBT										
Operating Temperature	-30 ~ +70	°C									
Storage Temperature	-40 ~ +80	°C									
Weight	3.2	(g)									
 <b>DB UNLIMITED</b>						<b>TP222003-1</b>					
											Drawn by A.B.

Additional considerations can be found at [www.dbunlimitedco.com/technical-articles](http://www.dbunlimitedco.com/technical-articles).