

4

3



2

1

SPECIFICATIONS:

CONTACT RATING: 3A @ 125 VAC OR 28 VDC (RESISTIVE)
 INITIAL CONTACT RESISTANCE: 20 MILLIOHMS MAXIMUM
 INSULATION RESISTANCE: 1000 MEGOHMS MINIMUM @ 500 VDC.
 DIELECTRIC STRENGTH: 1000 VOLTS RMS AT SEA LEVEL
 LIFE EXPECTANCY: 10,000 CYCLES AT FULL RATED LOAD
 CONTACTS: SOLID SILVER
 SEAL-TOGGLE: PER MIL-S-83731A
 STATIC: PARAGRAPH 4.8.20
 DYNAMIC: PARAGRAPH 4.8.20

| REVISIONS | | | |
|-----------|--------------|---------|----------|
| REV | DESCRIPTION | DATE | APPROVED |
| D | 0G3C-0194-05 | 27MAR07 | MZ |

D

D

C

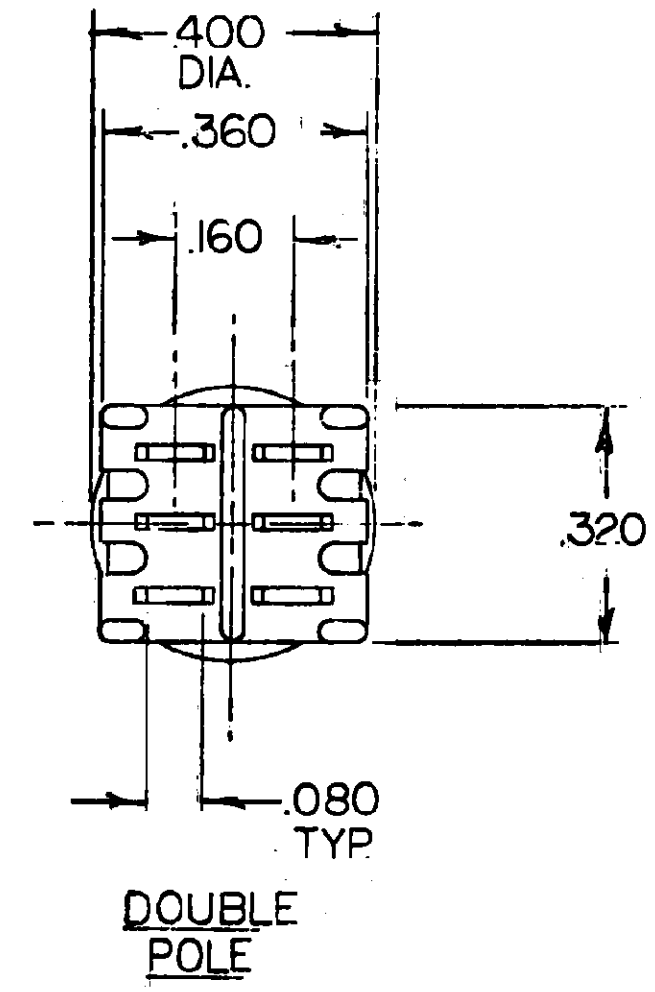
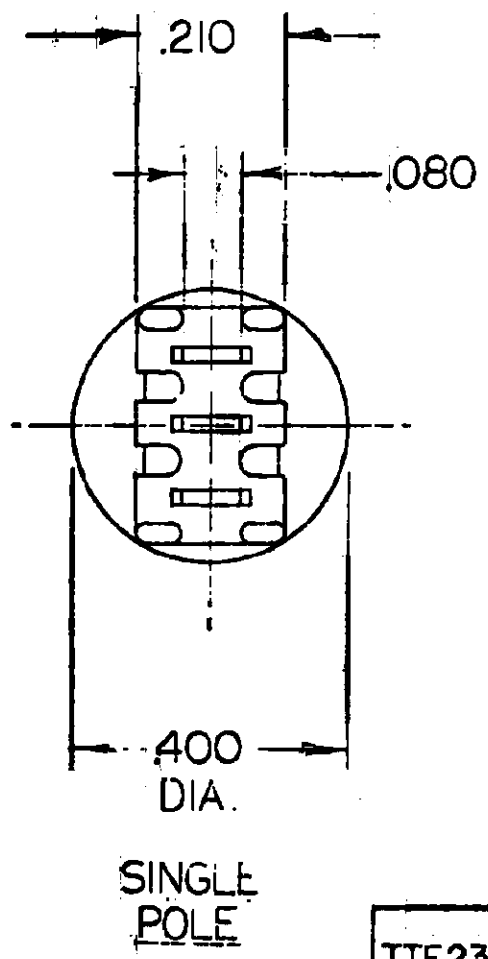
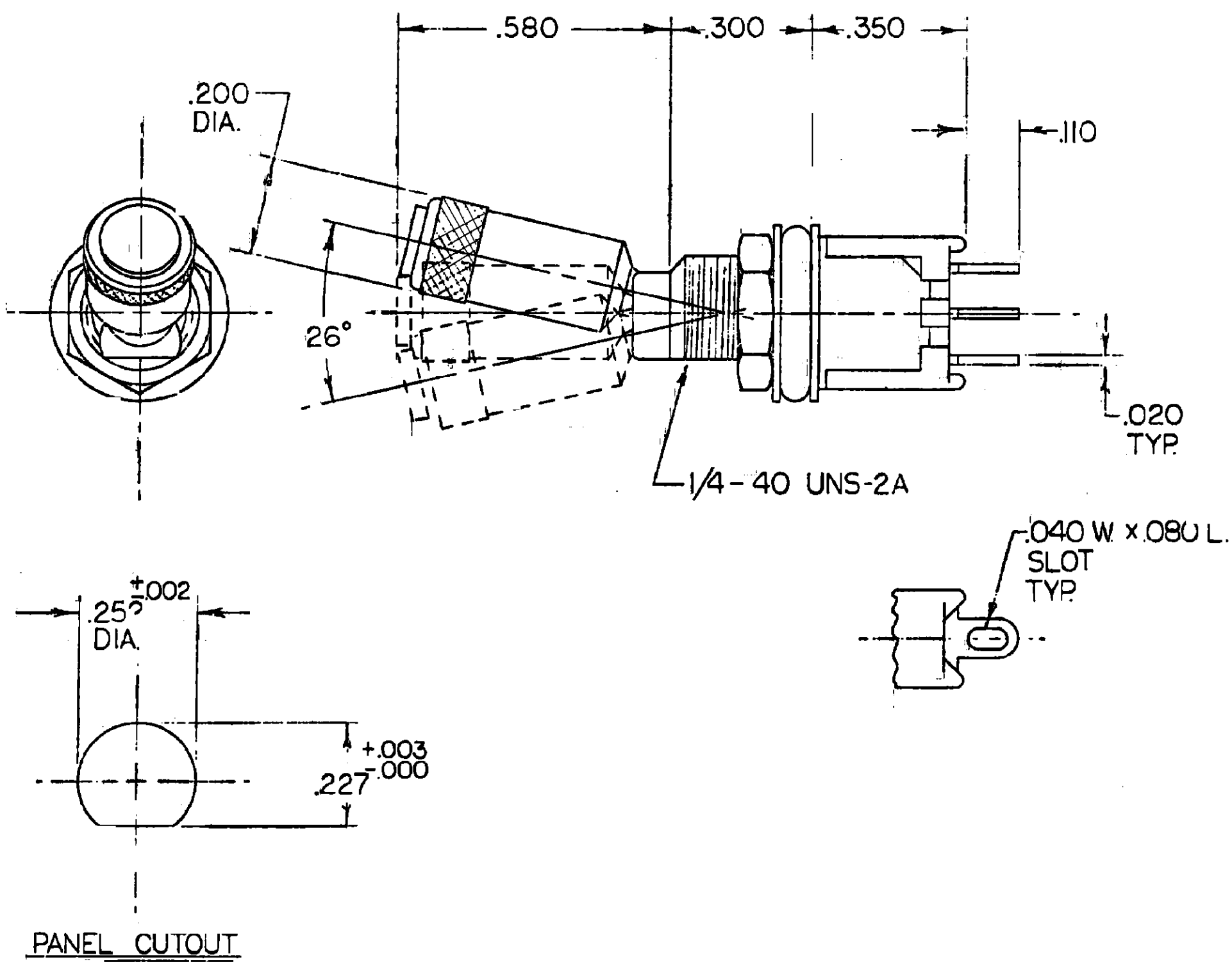
C

B

B

A

A



| | | | |
|---------------|------------------|----------------|------------------|
| TTE23P-8T 1/4 | 2 TO 1 5 TO 4 | OFF | 2 TO 3 5 TO 6 |
| TTF23N-8T 1/4 | 2 TO 1 5 TO 4 | NONE | 2 TO 3 5 TO 6 |
| TTF13F-8T 1/4 | 2 TO 1 | OFF | 2 TO 3 |
| TTF13D-8T 1/4 | 2 TO 1 | NONE | 2 TO 3 |
| SWITCH No. | FLAT | FLAT | FLAT |
| | 1 2 3 4 5 6 | 1 2 3 4 5 6 | 1 2 3 4 5 6 |

TERMINALS CONNECTED WHEN TOGGLE IS IN POSITION SHWN
 NOTE: TERMINAL DESIGNATION NUMBERS ARE FOR REFERENCE ONLY AND DO NOT APPEAR ON SWITCHES NO'S 4 5 6 FOR C.P. VERSION ONLY.

AUGAT D/N 40210

| INSPECT PER ALCO QAS 100 | |
|--------------------------|----------|
| SYMBOL | A.Q.L. |
| □ | CRITICAL |
| △ | MAJOR |
| NONE | MINOR |

| UNLESS OTHERWISE SPECIFIED | | SIGNATURES | DATE |
|----------------------------|--|------------|---------|
| DIMENSIONS ARE IN INCHES | | DRAWN | 7/20/07 |
| TOLERANCES ON: | | CHECKED | 7/20/07 |
| 3 PL. DECIMALS ± .010 | | ENGRG | 5/1/07 |
| ANGLES ± | | ISSUED | |
| FRACTIONS | | | |

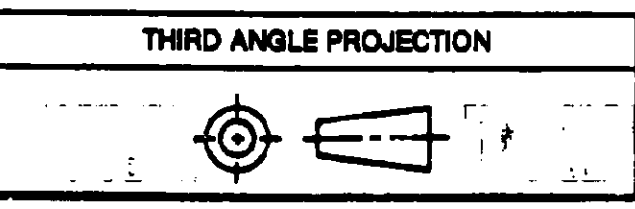
tylco
Electronics

CUSTOMER DRAWING - TOGGLE SWITCH

SEALED SP & DP
 TTE13(*)-8T 1/4

SIZE: SC. NO. CI DWG. NO. 1437563-6 REV. D

SCALE: 4/1 SHEET OF 1



| DISTRIBUTION | | | | | | | | | |
|--------------|---|---|---|---|---|---|---|---|----|
| 1 | 2 | 3 | 4 | 5 | 6 | 7 | 8 | 9 | 10 |

4

3



2

1