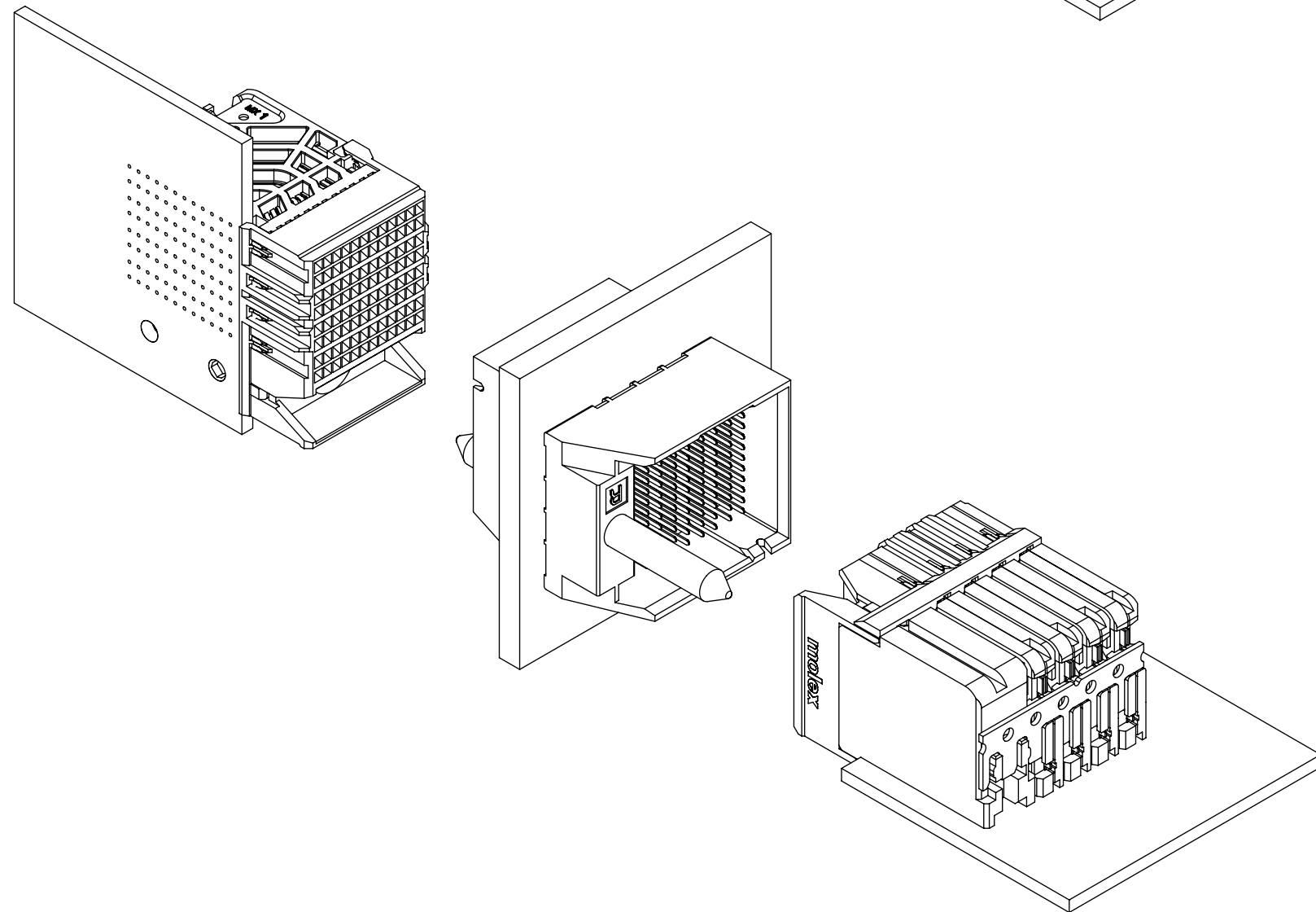
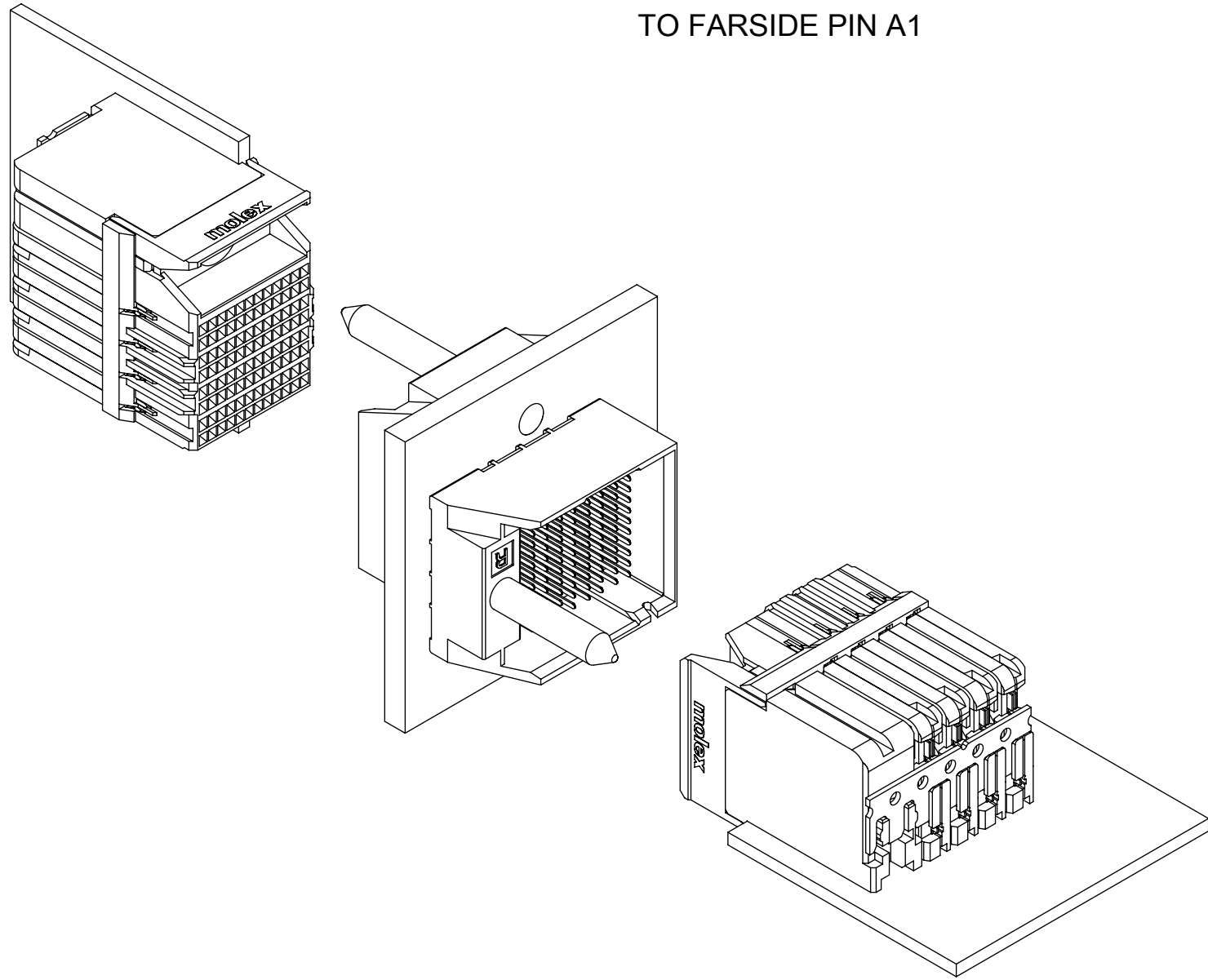


- NOTES:**
- MATERIALS: HOUSING - LIQUID CRYSTAL POLYMER (LCP)
GLASS-FILLED, UL94V-0
TERMINALS - HIGH PERFORMANCE COPPER ALLOY
 - FINISH: 30μ MIN GOLD IN CONTACT AREA.
SELECTIVE TIN OR TIN-LEAD ON PCB TAILS.
NICKEL OVERALL.
 - REFER TO MOLEX PRODUCT SPECIFICATION PS-76060-999 FOR PERFORMANCE SPECIFICATIONS AND ADDITIONAL PCB INFORMATION.
 - THIS PART CONFORMS TO CLASS B REQUIREMENTS OF COSMETIC SPEC PS-45499-002.
 - PRODUCT IS PACKAGED PER PK-70873-763.
 - SEE SHEETS 2 AND 3 FOR PART NUMBERS AND ORTHOGONAL PIN MAPPING.
 - REFER TO MOLEX SALES DRAWING SD-76860-004 FOR THE MATING RECEPTACLES.
 - THE KEEP-OUT ZONE FOR THE PART LENGTH INCLUDES AN ADDITIONAL 1.0mm TO ACCOMMODATE FOR SPACE REQUIRED BY THE DAUGHTERCARD ASSEMBLY.
 - REFER TO MOLEX ROUTING GUIDE AS-76850-990 FOR ADDITIONAL PCB LAYOUT AND ROUTING RECOMMENDATIONS.
 - CONNECTORS ARE SUPPLIED WITH A 2-56 UNC-2A SCREW.
 - "THESE DIMENSIONS REPRESENT THE AREA NEEDED TO ACCOMODATE CONNECTOR INSERTION AND REPAIR ON THE PC BOARD. THIS DOES NOT REPRESENT THE ACTUAL PERIMETER OF THE CONNECTOR."

QUALITY SYMBOLS		THIS DRAWING CONTAINS INFORMATION THAT IS PROPRIETARY TO MOLEX ELECTRONIC TECHNOLOGIES, LLC AND SHOULD NOT BE USED WITHOUT WRITTEN PERMISSION		DIMENSION UNITS		SCALE			
▽ = 0	▽ = 0	mm	4:1	DRWN BY		DATE			
▽ = 0	▽ = 0	GENERAL TOLERANCES (UNLESS SPECIFIED)		ARIZVI01		2013/04/01		IMPACT 3 PAIR HEADER ORTHOGONAL ASSEMBLY GUIDE RIGHT SALES DWG	
▽ = 0	▽ = 0	ANGULAR TOL ± 0.5 °		CHK'D BY		DATE			
▽ = 0	▽ = 0	4 PLACES ±		PRAMASWAMY		2017/10/13		PRODUCT CUSTOMER DRAWING	
▽ = 0	▽ = 0	3 PLACES ±		TELO		2015/03/24			
▽ = 0	▽ = 0	2 PLACES ± 0.13		DRAWING SIZE		THIRD ANGLE PROJECTION		SERIES MATERIAL NUMBER CUSTOMER 76855 SEE CHART GENERAL MARKET	
▽ = 0	▽ = 0	1 PLACE ± 0.25		C				DOCUMENT NUMBER DOC TYPE DOC PART SHEET NUMBER SD-76855-003 PSD 001 1 OF 3	
▽ = 0	▽ = 0	0 PLACES ±		DRAFT WHERE APPLICABLE MUST REMAIN WITHIN DIMENSIONS					

ORTHO OPTION 270

NEARSIDE PIN A1 MAPS
TO FAR SIDE PIN A1



ORTHO OPTION 90

NEARSIDE PIN A1 MAPS
TO FAR SIDE PIN J6
(FOR SQUARE PATTERN)

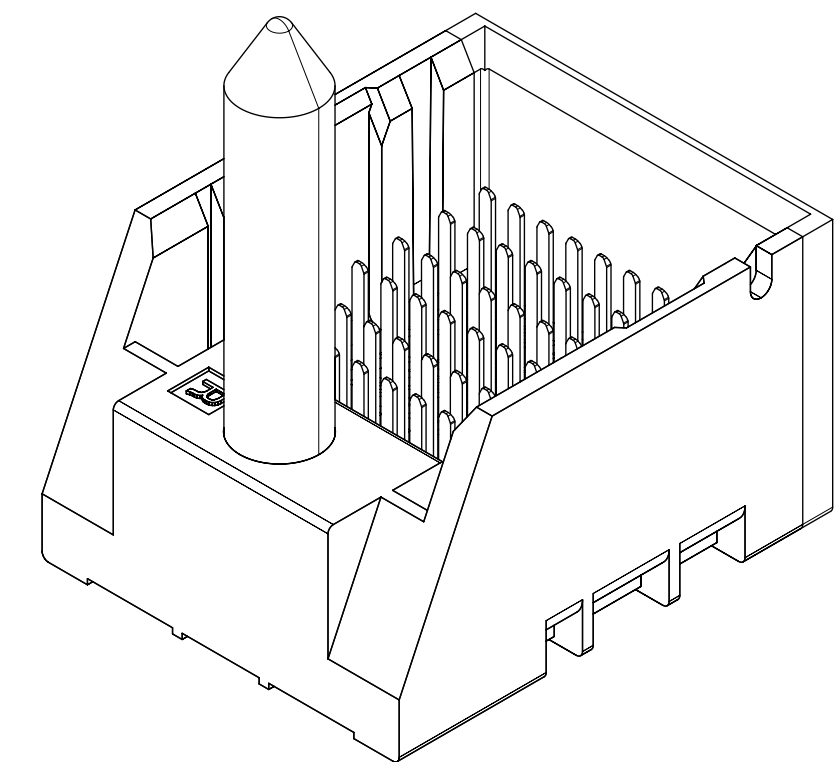
MATERIAL NUMBER	# OF COLUMNS	# OF DIFF PAIR	MODULE TYPE	DIM A	DIM B	DIM C
76855-*60*	6	18	NO ENDWALL	18.9	10.00	10.40
76855-*60*	6	18	WITH ENDWALL	20.3	10.00	10.40
76855-*80*	8	24	NO ENDWALL	22.9	14.05	14.45
76855-*80*	8	24	WITH ENDWALL	24.3	14.05	14.45

76855- * * 0 *

MODULE & TAIL PLATING TYPE
 4 = GUIDE RIGHT NO ENDWALL, TIN/LEAD
 5 = GUIDE RIGHT NO ENDWALL, TIN
 8 = GUIDE RIGHT ENDWALL, TIN/LEAD
 9 = GUIDE RIGHT ENDWALL, TIN

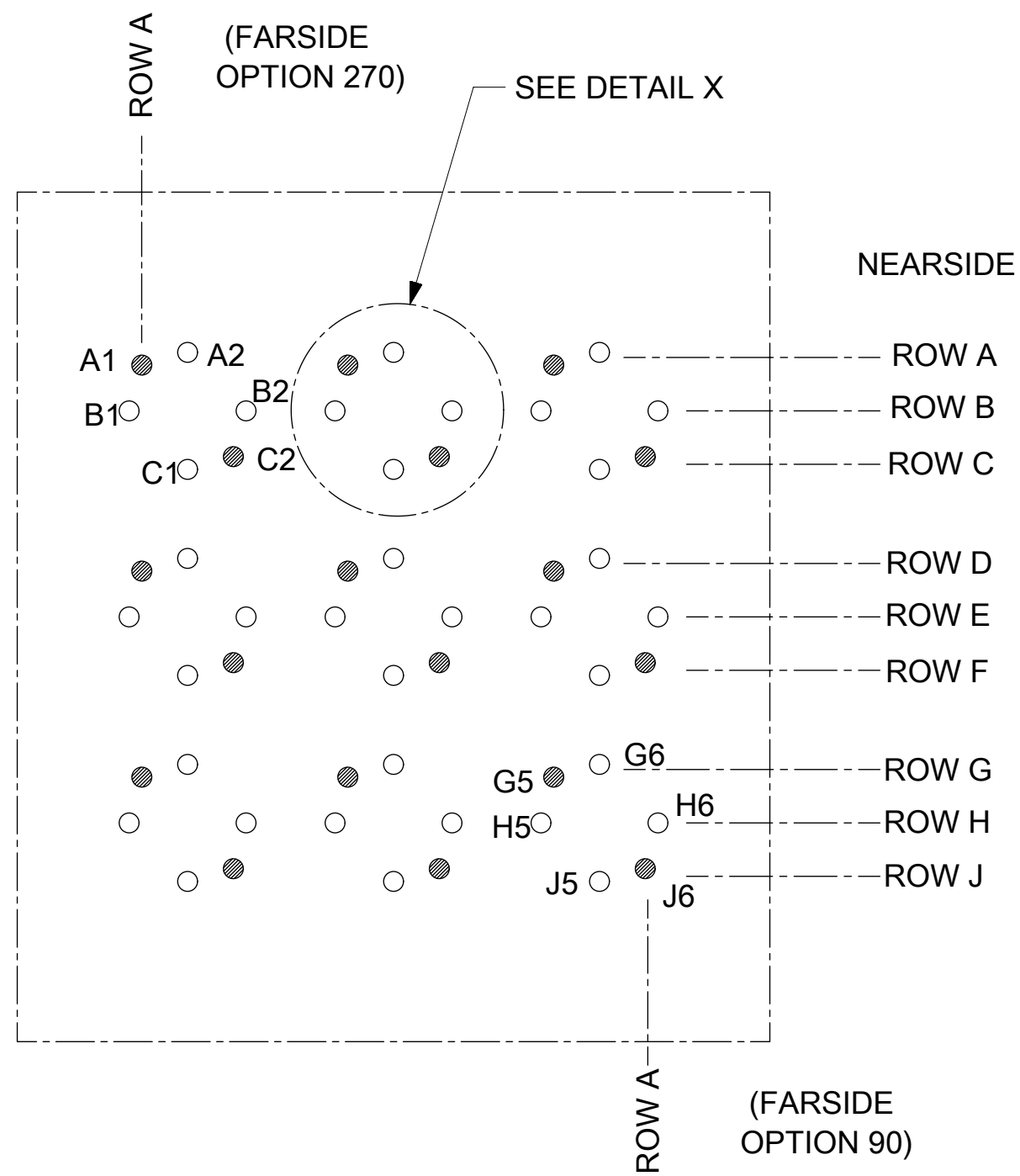
PIN LENGTH (P)
 4 = 4.90 (0.46 PTH)
 5 = 5.50 (0.46 PTH)
 7 = 4.90 (0.39 PTH)
 8 = 5.50 (0.39 PTH)

OF COLUMNS
 6 = 6 COLUMNS
 8 = 8 COLUMNS

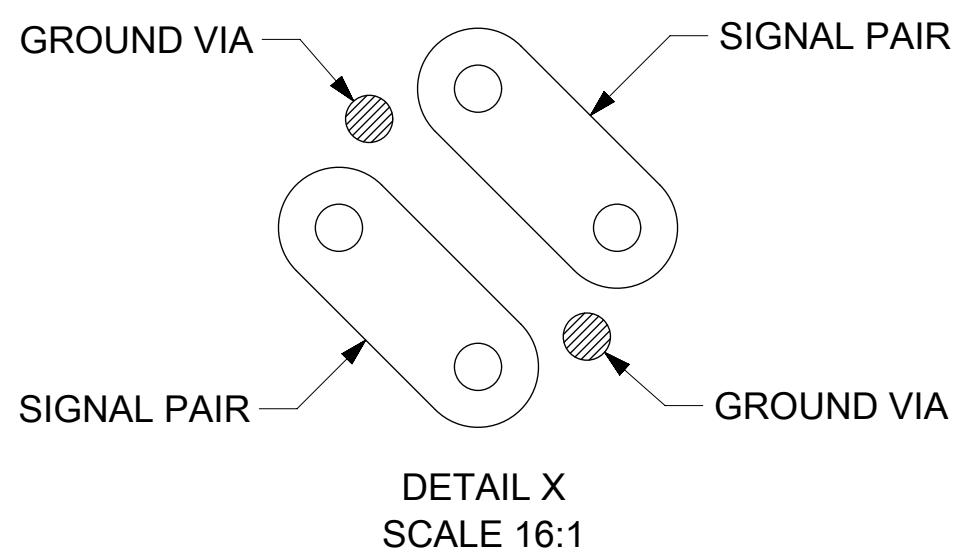


OPEN END WALL

QUALITY SYMBOLS	THIS DRAWING CONTAINS INFORMATION THAT IS PROPRIETARY TO MOLEX ELECTRONIC TECHNOLOGIES, LLC AND SHOULD NOT BE USED WITHOUT WRITTEN PERMISSION										
▽ = 0	EC NO: 123283 DRWN: ABN CHKD: ABN APPR: PRAMASWAMY MIGRATED TO NX 2017/10/17 2017/10/17 2017/10/18	GENERAL TOLERANCES (UNLESS SPECIFIED)		DIMENSION UNITS	SCALE						
▽ = 0		ANGULAR TOL ± 0.5 °		mm	4:1						
▽ = 0		4 PLACES ±		DRWN BY	DATE	IMPACT 3 PAIR HEADER ORTHOGONAL ASSEMBLY GUIDE RIGHT SALES DWG					
▽ = 0		3 PLACES ±		ARIZVI01	2013/04/01						
▽ = 0		2 PLACES ± 0.13		CHKD BY	DATE	PRODUCT CUSTOMER DRAWING					
▽ = 0		1 PLACE ± 0.25		PRAMASWAMY	2017/10/13						
▽ = 0		0 PLACES ±		APPR BY	DATE	SERIES MATERIAL NUMBER CUSTOMER 76855 SEE CHART GENERAL MARKET					
▽ = 0		DRAFT WHERE APPLICABLE MUST REMAIN WITHIN DIMENSIONS		TELO	2015/03/24						
▽ = 0		E3		DRAWING SIZE	THIRD ANGLE PROJECTION	DOCUMENT NUMBER		DOC TYPE	DOC PART	SHEET NUMBER	
				C		SD-76855-003		PSD	001	2 OF 3	



MIDPLANE PCB LAYOUT



ORTHO PIN MAPPING					
OPTION 270 (NEARSIDE - FAR SIDE)					
A1-A1	A2-B1	A3-D1	A4-E1	A5-G1	A6-H1
B1-A2	B2-C1	B3-D2	B4-F1	B5-G2	B6-J1
C1-B2	C2-C2	C3-E2	C4-F2	C5-H2	C6-J2
D1-A3	D2-B3	D3-D3	D4-E3	D5-G3	D6-H3
E1-A4	E2-C3	E3-D4	E4-F3	E5-G4	E6-J3
F1-B4	F2-C4	F3-E4	F4-F4	F5-H4	F6-J4
G1-A5	G2-B5	G3-D5	G4-E5	G5-G5	G6-H5
H1-A6	H2-C5	H3-D6	H4-F5	H5-G6	H6-J5
J1-B6	J2-C6	J3-E6	J4-F6	J5-H6	J6-J6

ORTHO PIN MAPPING					
OPTION 90 (NEARSIDE - FAR SIDE)					
A1-J6	A2-H6	A3-F6	A4-E6	A5-C6	A6-B6
B1-J5	B2-G6	B3-F5	B4-D6	B5-C5	B6-A6
C1-H5	C2-G5	C3-E5	C4-D5	C5-B5	C6-A5
D1-J4	D2-H4	D3-F4	D4-E4	D5-C4	D6-B4
E1-J3	E2-G4	E3-F3	E4-D4	E5-C3	E6-A4
F1-H3	F2-G3	F3-E3	F4-D3	F5-B3	F6-A3
G1-J2	G2-H2	G3-F2	G4-E2	G5-C2	G6-B2
H1-J1	H2-G2	H3-F1	H4-D2	H5-C1	H6-A2
J1-H1	J2-G1	J3-E1	J4-D1	J5-B1	J6-A1

NOTE: PINOUTS SHOWN IN BALLOONS ARE GROUNDS.
PINOUTS SHOWN ARE FOR SQUARE (6 COLUMN) PATTERN ONLY.

QUALITY SYMBOLS	THIS DRAWING CONTAINS INFORMATION THAT IS PROPRIETARY TO MOLEX ELECTRONIC TECHNOLOGIES, LLC AND SHOULD NOT BE USED WITHOUT WRITTEN PERMISSION					
▽ = 0	EC NO: 123283 DRWN: ABN CHKD: ABN APPR: PRAMASWAMY MIGRATED TO NX 2017/10/17 2017/10/17 2017/10/18	GENERAL TOLERANCES (UNLESS SPECIFIED)		DIMENSION UNITS	SCALE	
▽ = 0		ANGULAR TOL ± 0.5 °		mm	1:1	
▽ = 0		4 PLACES ±	DRWN BY		DATE	
▽ = 0		3 PLACES ±	ARIZVI01	2013/04/01		
▽ = 0		2 PLACES ± 0.13	CHKD BY		DATE	
▽ = 0		1 PLACE ± 0.25	PRAMASWAMY	2017/10/13		
▽ = 0	0 PLACES ±	APPR BY		DATE		
▽ = 0	DRAFT WHERE APPLICABLE MUST REMAIN WITHIN DIMENSIONS		TELO	2015/03/24		
▽ = 0			DRAWING SIZE	THIRD ANGLE PROJECTION		
▽ = 0			C			
					IMPACT 3 PAIR HEADER ORTHOGONAL ASSEMBLY GUIDE RIGHT SALES DWG	
			PRODUCT CUSTOMER DRAWING			
			SERIES	MATERIAL NUMBER	CUSTOMER	
			76855	SEE CHART	GENERAL MARKET	
			DOCUMENT NUMBER		DOC TYPE	
			SD-76855-003		PSD	
			DOC PART	SHEET NUMBER		
			001	3 OF 3		