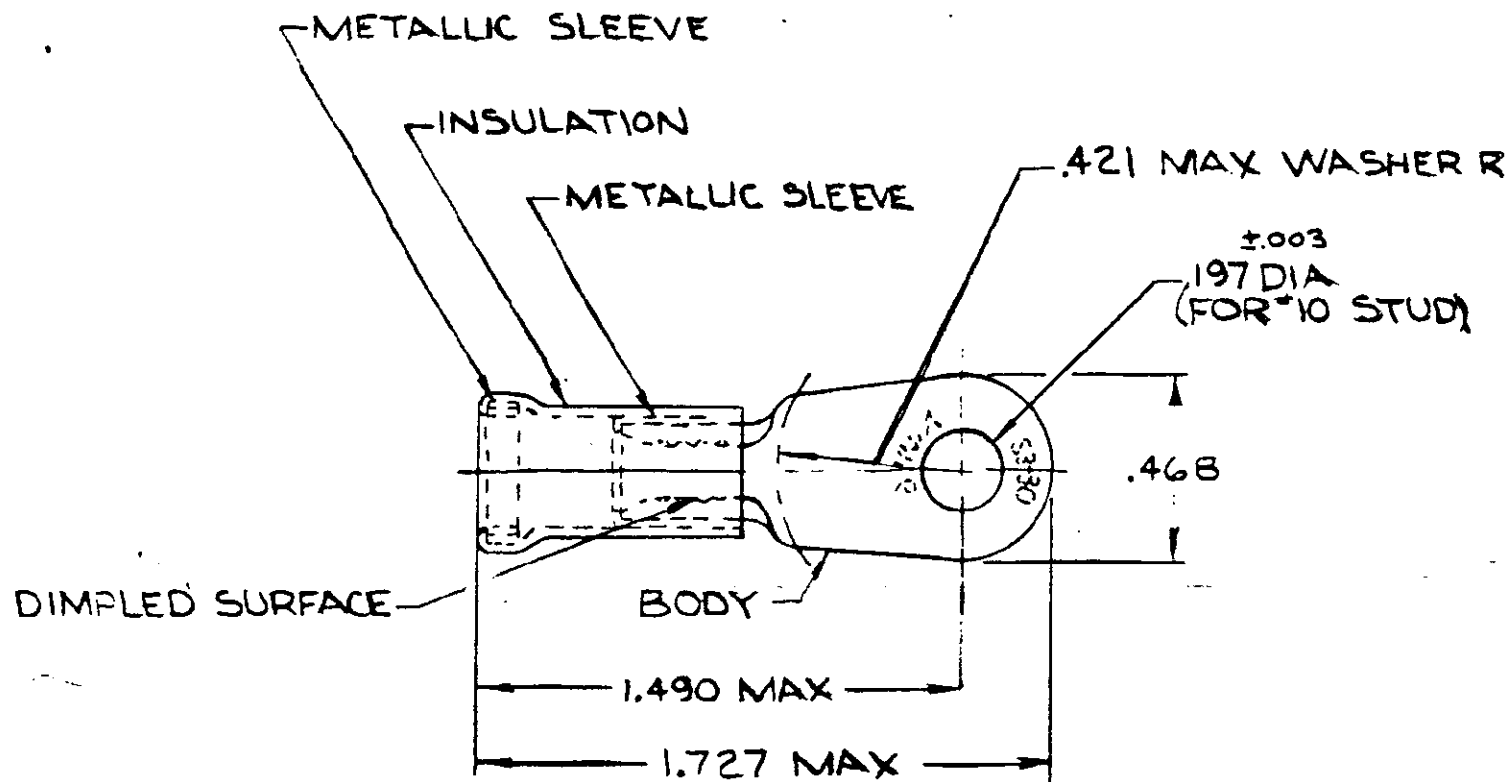


© 1954 BY AMP INCORPORATED. ALL RIGHTS RESERVED. AMP PRODUCTS COVERED BY PATENTS AND/OR PATENTS PENDING.

REVISIONS				
QTY	REV	DESCRIPTION	DATE	APPROVED
	H	REDRAWN & REVISED P-5563	1-6-70	<i>Jma</i>
	J	INACTIVATED 2-322153-1 P-9263 DOR	3-17-82	DJM
	K	2-1 OBSOLETE G-0472 DAP	4/87	<i>gjm</i>
	L	REV. G-4680 TRS	5-9-88	JT
	M	REV PER 0720-0756-95	9/21/95	DKS/DMS



TONGUE MATERIAL THICKNESS = .045 ±.003
FOR .377 MAX WIRE INS DIA

TABLE I

1	WIRE TERMINAL	SEE TABLE II	BODY: COPPER PER ASTM B-152 FINISH: (SEE TABLE II)		
			INSULATION: PVC COLOR: BLUE		
			METALLIC SLEEVE: COPPER (QQ-C-576)		
			METALLIC BAND: STEEL QQ-S-698 (ASTM A109)		
QTY	DESCRIPTION	PART NO.	MATERIAL & FINISH		
			AMP AMP INCORPORATED HARRISBURG, PENNSYLVANIA		
			WIRE TERMINAL AMPLI-BOND - RING TONGUE WIRE SIZE 6		
	SEE TABLE I		SIZE	CODE IDENT NO.	NUMBER
			B	00779	322153
			SCALE	NTD	SHEET 1 OF 1

TABLE II

2-322153-1	GOLD PL (MIL-G-45204) TYPE II .00005 MIN. EXT. THK. OVER NICKEL PL (QQ-N-290).00003 MIN. EXT. THK.
322153	TIN PL (MIL-T-10727)
PART NO.	FINISH