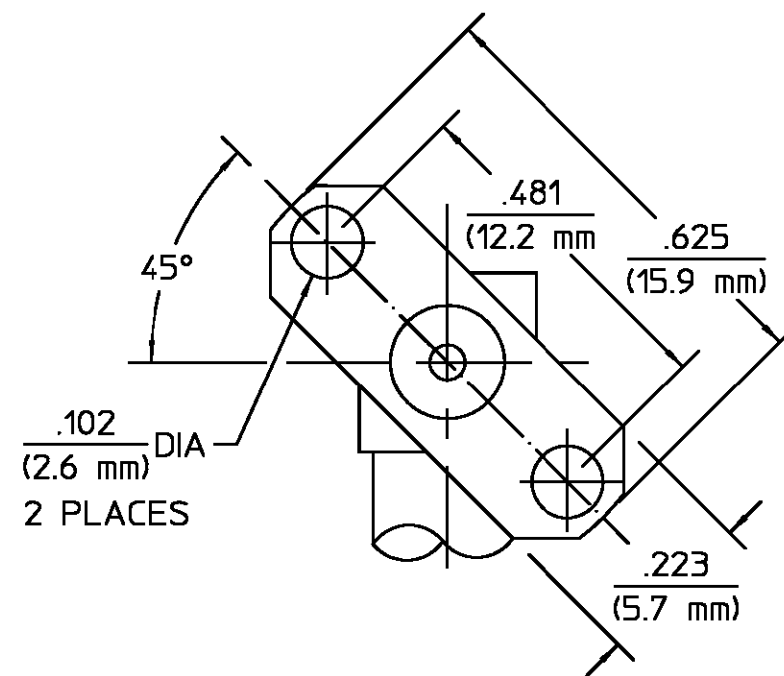


| REVISIONS |             |         |            |
|-----------|-------------|---------|------------|
| REV       | DESCRIPTION | DATE    | APPROVED   |
| 010       | RELEASED    | 4/27/92 | <i>RAC</i> |



| ELECTRICAL   |
|--|
| Nominal Impedance (Ohms) <u>50</u>   |
| Frequency Range (GHz) DC to <u>18.0</u>  |
| Volt Rating (VRMS MAX)<br>@ Sea Level <u>335</u>   |
| VSWR <u>1.07 ±.015f(GHz)</u>   |
| Insertion Loss (dB MAX) <u>.08 √f GHz</u>  |
| RF Leakage (dB MIN) <u>-[90-f(GHz)]</u>  |
| Corona, 70,000 Ft (VRMS MIN) <u>250</u>  |
| Dielectric Withstanding Voltage<br>(VRMS MIN) @ Sea Level <u>1,000</u>   |
| Contact Resistance (Milliohms MAX)<br>Center Contact <u>3.0</u><br>Outer Contact <u>2.0</u><br>Cable to Housing <u>N/A</u> |
| RF High Potential @ Sea Level<br>(VRMS MIN @ 5 MHz) <u>670</u>   |
| I.R.(Megohms MIN) <u>5,000</u>   |

| MECHANICAL  |
|---|
| Interface Dimensions MIL-STD-348A,<br>Fig. <u>310.2</u>                                     |
| Recommended Mating<br>Torque <u>N/A</u>   |
| Mating Characteristics:<br>Insertion (MAX Lbs) <u>3.0</u><br>Withdrawal (MIN Oz) <u>1.0</u> |
| Force to Engage and<br>Disengage (In-Lbs MAX) <u>2.0</u>                                    |
| Center Contact Captivation<br>Axial (Lbs) <u>6.0</u><br>Radial (In-Oz) <u>4.0</u>           |
| Cable Retention<br>Axial Force (Lbs) <u>N/A</u><br>Torque (In-Oz) <u>N/A</u>                |
| Weight (Grams) <u>TBD</u>   |

| ENVIRONMENTAL  |
|--|
| Temperature Rating <u>-65°C To +125°C</u>  |
| Vibration MIL-STD-202, Method 204<br>Condition D   |
| Shock MIL-STD-202, Method 213,<br>Condition I  |
| Thermal Shock MIL-STD-202,<br>Method 107, Condition I,<br>Except High Temp <u>+115°C</u> |
| Moisture Resistance MIL-STD-202,<br>Method 106   |
| Corrosion - MIL-STD-202, Method<br>101, Condition B, 5% salt spray                       |

| COMPONENT                   | MATERIAL   | FINISH   |
|-----------------------------|--|--|
| HOUSING CAP                 | STAINLESS STEEL PER ASTM-A484 AND ASTM-A582, TYPE 303      | GOLD PLATE PER MIL-G-45204 OVER NICKEL PLATE PER QQ-N-290    |
| DIELECTRIC                  | TFE FLUOROCARBON PER ASTM-D-1457                           | N/A  |
| CENTER CONTACT CONTACT EXT. | BERYLLIUM COPPER PER ASTM B 196, ALLOY C17300, CONDITION H | GOLD PLATE PER MIL-G-45204 OVER COPPER PLATE PER MIL-C-14550 |

UNLESS OTHERWISE SPECIFIED DIMENSIONS ARE IN INCHES TOLERANCE ON  
 FRAC. DEC. ANGLES  
 ± 1/64 ±.005 ± °  
 These drawings and specifications are the property of Omni Spectra Incorporated and shall not be reproduced or copied or used in whole or in part as the basis for the manufacture or sale of item(s) without written permission.

DRAWN BY *BB* DATE 4/20/92  
 CHECKED BY *MC* 4-23-92  
 APP'D BY *RAC* 4/27/92  
 USE ASS'Y PROCEDURE  
 NO. AP. N/A

**AMP** Incorporated  
 140 Fourth Avenue  
 Waltham, MA 02451-7599

TITLE **OSM 2 HOLE FLANGE MOUNT RIGHT ANGLE JACK RECEPTACLE STRAIGHT TERMINAL**

|                    |                             |                            |                |
|--------------------|-----------------------------|----------------------------|----------------|
| SIZE <b>B</b>      | CODE IDENT NO. <b>26805</b> | <b>2054-1251-00</b>        | REV <b>010</b> |
| SCALE <b>4 : 1</b> |                             | SHEET <b>1</b> OF <b>1</b> |                |