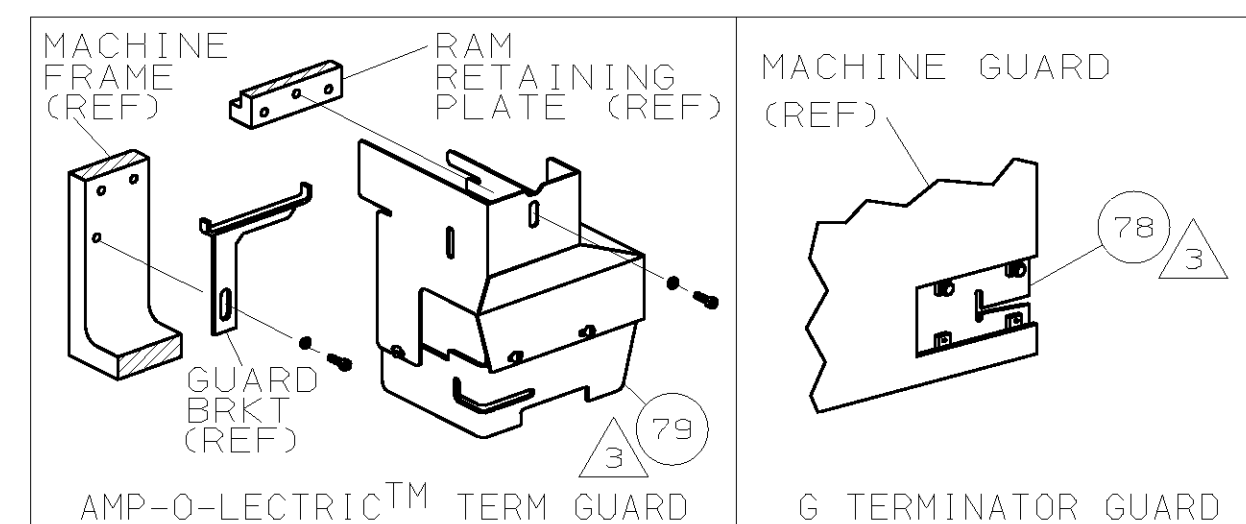
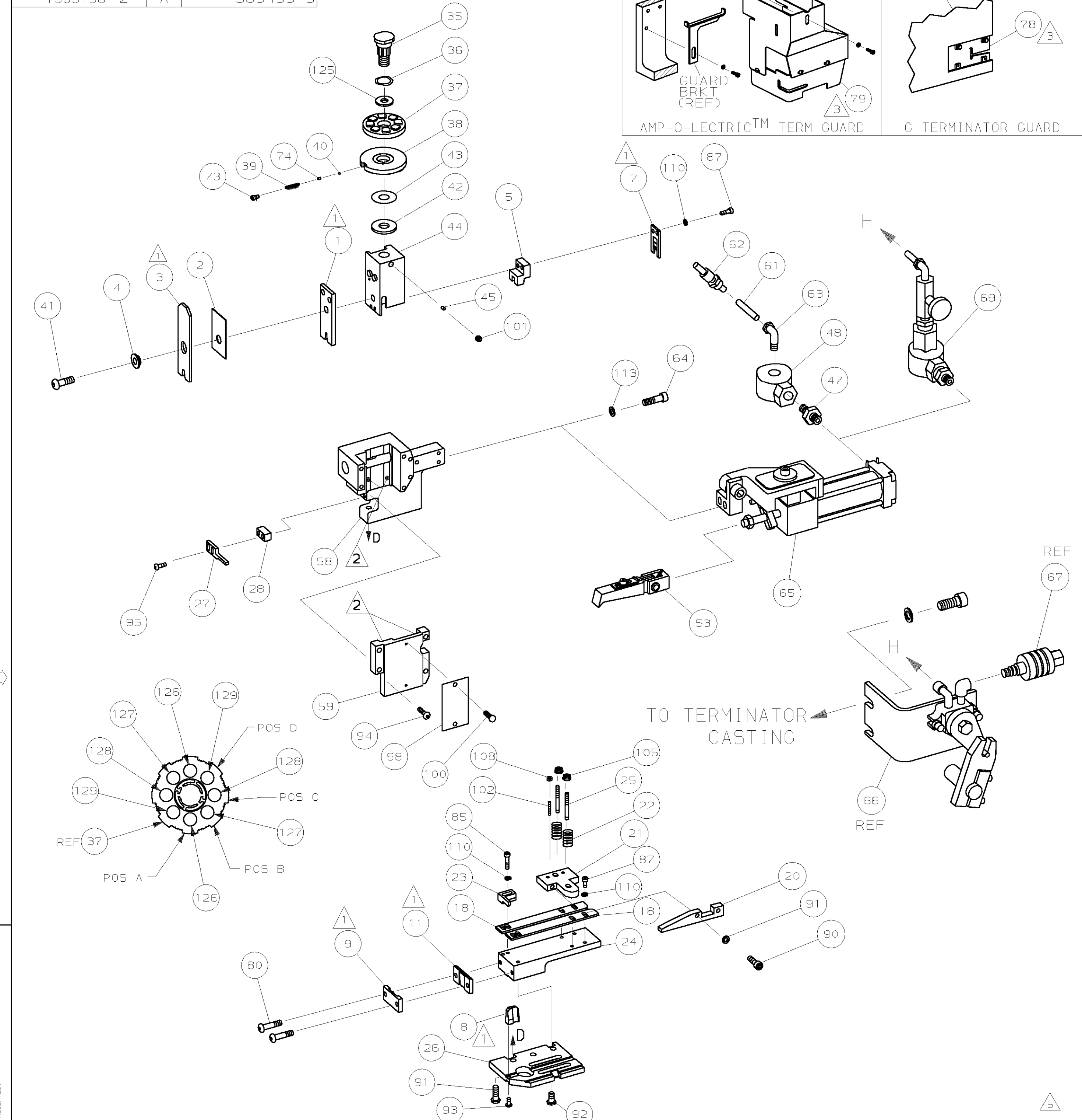


PART NUMBER	REV	FIRST USED
1385196-1	A	122500-1
1385196-2	A	565435-5



1217264-1		AMP TERMINAL AMP CRIMP SPECS	
PAD LTR	CRIMP HEIGHT	WIRE SIZE	
A	.077 ±.002 [1.96 ±0.05mm]	14	
B	.067 ±.002 [1.70 ±0.05mm]	16	
C	.061 ±.002 [1.55 ±0.05mm]	18	
D	.055 ±.002 [1.40 ±0.05mm]	20 & 22	
CRIMP	SIZE	TYPE	RANGE
WIRE	.100 [2.54mm]	F	22-14
INSUL	.140 [3.56mm]	F	.080-.150

QTY	REV	U/M	DWG SIZE	PART NO	DESCRIPTION	ITEM NO
-1				LEADMAKER & BENCH MODEL G	AIR FEED	
-2				BENCH MODEL K	AIR FEED	
1				692655-5	AIR FEED VALVE ASSY	70
REF				24042-2	VALVE, SHUT OFF	67
REF				692655-6	AIR FEED VALVE ASSY	66
1				460277-1	AIR FEED ASSY (1 INCH)	65
2				3-21000-9	SCR,5HC (10-32x1.00) AIR ASSY	64
-				980285-2	ELBOW, SWIVEL 1/8 NPT - 1/4 T	63
-				23238-1	QUICK DISCONNECT	62
-				27319-4	TUBING, POLY-FLO Ø.25	61
1				454220-1	CAP, RAM	59
1				453736-1	HOUSING	58
1				460680-2	FEED FINGER ASSY	53
1				22374-7	VALVE, QUICK EXHAUST	48
-				22304-1	NIPPLE, HEX 1/8 NPT	47
1				690191-1	PLUG, NYLON	45
1				455674-1	RAM	44
1				690125-1	WASHER, LAMINATED	43
1				690124-1	WASHER, RAM	42
1				7-21002-9	BOLT, CRIMPER (5/16-24x1.00)	41
1				23241-6	BALL, STEEL	40
1				690170-1	SPRING, COMPRESSION	39
1				690142-1	DISC, INSULATION	38
1				354777-1	WIRE DISC, PLASTIC	37
1				22480-5	WASHER, SPRING	36
1				690212-1	POST, RAM	35
1				4-690451-7	SPACER, STRIPPER	28
1				240639-2	STRIPPER	27
1				455676-1	PLATE, BASE	26
2				22354-8	DRAG, STUD	25
1				455678-1	PLATE, STRIP GUIDE	24
1				240825-1	PLATE, STRIP HOLD DOWN	23
2				4-22281-1	SPRING, DRAG	22
1				464451-1	ARM, STOCK DRAG	21
1				464452-4	DRAG, STOCK	20
2				454204-3	GUIDE, STRIP (FRONT)	18
1				240644-1	PLATE, REAR SHEAR	11
1				690482-5	PLATE, FRONT SHEAR	9
1				8-461295-2	ANVIL	8
1				690474-5	BLADE, SLUG	7
1				804939-4	SIZING TOOL	5
1				238009-1	SPACER, BLOCK CRIMPER	4
1				8-456134-0	CRIMPER, INSULATION	3
1				1-455888-6	SPACER, CRIMPER	2
1				456407-5	CRIMPER, WIRE	1



- 1 RECOMMENDED SPARE PARTS.
- 2 GREASE LIGHTLY.
- 3 GUARD MUST BE IN PLACE WHEN OPERATING APPLICATOR IN A BENCH MACHINE.
- 4 SEE DRAWING FOR COMPONENTS
- 5 ITEM 78 USED WITH G TERMINATOR ONLY.

WIRE STRIP LENGTH	TERM APPL SPEC	FEED	APPL INSTRUCTION	SET UP GAGE	LAYOUT
.200-.216	114-2019	.735	408-8039	458638-1	L2454

QTY	REV	U/M	DWG SIZE	PART NO	DESCRIPTION	ITEM NO
2				2-354779-4	PIN, WIRE DISC (.3110)D	129
2				1-354779-2	PIN, WIRE DISC (.3050)C	128
2				9-354778-7	PIN, WIRE DISC (.2980)B	127
2				7-354778-7	PIN, WIRE DISC (.2880)A	126
1				986950-1	WASHER, FLAT PRECISION	125
1				217238-1	GENERAL INSTRUCTION PACKAGE	124
1				4088039	EF APPL INST 408-8039	123
2				21024-5	WASHER, LOCK (#10) AIR ASSY	113
7				21024-4	WASHER, LOCK (NO.8) SHEAR BL	110
2				21018-4	NUT, HEX (4-40) DRAG	108
2				21022-2	NUT, HEX SL (8-32) DRAG STUD	105
2				2-21006-6	SCR, SKT SET (4-40x.62) DRAG	102
1				21009-2	SCR, SKT SET (1/4-20x.25) RAM	101
2				21017-2	SCR, DRIVE (#2x.19) ID PLATE	100
1				461264-1	PLATE, IDENTIFICATION	98
2				2-21002-2	SCR, BHC (8-32x.50) STRIPPER	95
1				22733-8	SCR, BHC (8-32x.38 LW) ANVIL	93
4				3-21002-3	SCR, BHC (1/4-20x.50) ST 6D PL	92
2				21024-2	WASHER, LOCK #4	91
2				1-21000-3	SCR, 5HC (4-40x.25)	90
5				2-21000-6	SCR, 5HC (8-32x.38) SLUG BLADE	87
2				2-21000-9	SCR, 5HC (8-32x.75) R STP GUIDE	85
2				3-21002-0	SCR, BHC (10-32x.88) SHEAR PL	80
REF				455745-1	GUARD, WINDOW	79
-				679532-1	INSERT, GUARD	78
1				690603-1	SPRING, ASSIST	74
1				23030-1	SCR, SKT CAP (6-32x.25) CP DSC	73

LOC A
DIST 66

QTY	REV	U/M	DWG SIZE	PART NO	DESCRIPTION	ITEM NO
-2						

DIMENSIONS IN INCHES. DO NOT SCALE PRINT. TOLERANCES UNLESS OTHERWISE SPECIFIED: 2 PLC DEC ± 3 PLC DEC ± 4 PLC DEC ± ANGLES ± REMOVE BURRS, BREAK SHARP EDGES R.015 MAX			MATL	HT TR	FIN
DR B.HIGMAN	08NOV00	APP T.ELBIN	AMP AMP Incorporated Harrisburg, PA 17105-3608		
NAME	END FEED HDM APPLICATOR		MACHINE REF	MINI APPL	
SCALE	DWG NO	1385196	SHEET	1 OF 1	REV A