

4

3

2

1

THIS DRAWING IS UNPUBLISHED.

RELEASED FOR PUBLICATION

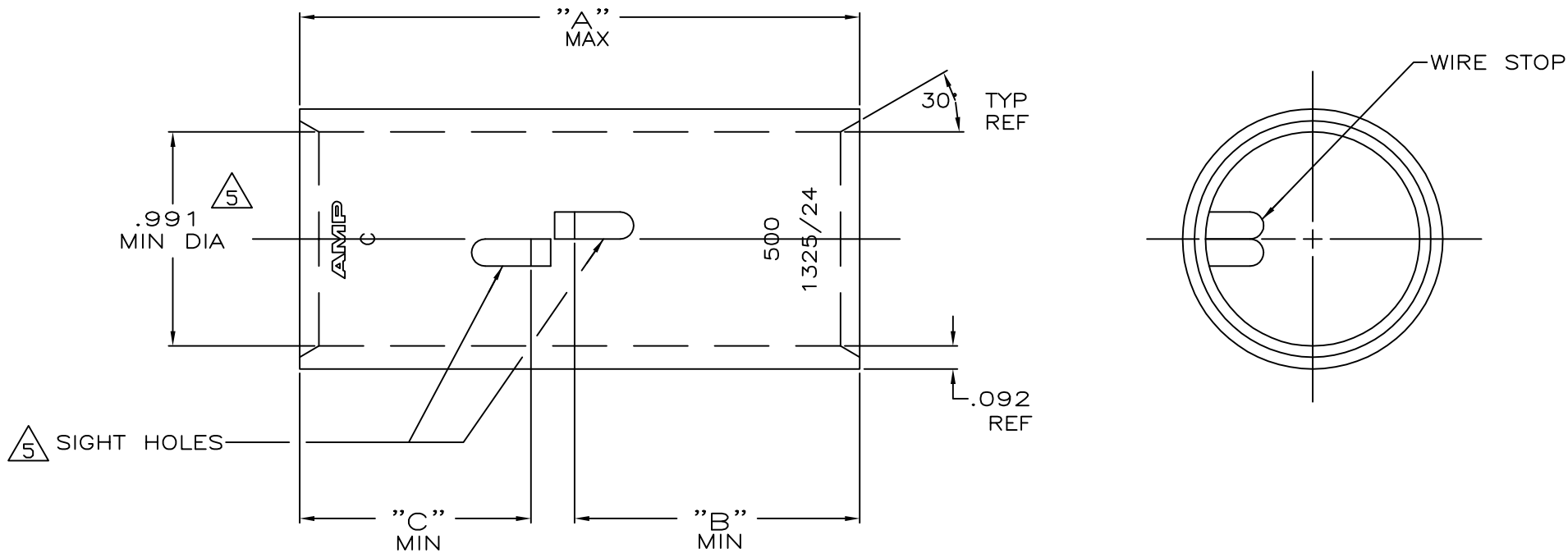
ALL RIGHTS RESERVED.

© COPYRIGHT - By -

LOC G DIST 86

REVISIONS

| P | LTR | DESCRIPTION | DATE | DWN | APVD |
|---|-----|---------------|-----------|-----|------|
| | R | ECR-13-000998 | 11FEB2013 | PK | HS |



- ① TIN PL .000150 MIN THK PER ASTM B 545
- ② PART NO: 324466; .243 LB.
PART NO: 1-324466-0; .243 LB.
PART NO: 2-324466-1; .243 LB.
PART NO: 2-324466-2; .269 LB.
- ③ RED COLOR CODE
- ④ CLEANED, UNPLATED
- ⑤ .045 MAX BURR ALLOWED INSIDE THE WIRE BARREL ID IN AREA OF SIGHT HOLE.

| OBSELETE | 1.07 | 1.32 | 2.64 | ① | 450-550 MCM | COPPER ASTM-B-75 ANNEALED | 2-324466-2 |
|----------|------|------|--------|------------|----------------|---------------------------------|------------|
| | 1.07 | 1.07 | 2.41 | ④ | | | |
| | | | | ⑤ | | | 1-324466-0 |
| | | | | | | | 324466 |
| "C" | "B" | "A" | FINISH | WIRE RANGE | MATERIAL | PART No | |

THIS DRAWING IS A CONTROLLED DOCUMENT.

| | | | | |
|--------------------------|------------------|------------------------|-----------------|---------------------|
| DWN DK SCHRUM 4/24/89 | | SPLICE, BUTT, AMPPOWER | | |
| CHK MS FEHER 4/24/89 | | WIRE SIZE: 500 MCM | | |
| APVD WJ VOCKROTH 11/8/89 | | SIZE A3 | CAGE CODE 00779 | DRAWING NO C=324466 |
| PRODUCT SPEC | | RESTRICTED TO | | |
| APPLICATION SPEC | SCALE 2:1 | | SHEET 1 OF 1 | |
| WEIGHT | CUSTOMER DRAWING | | REV R | |