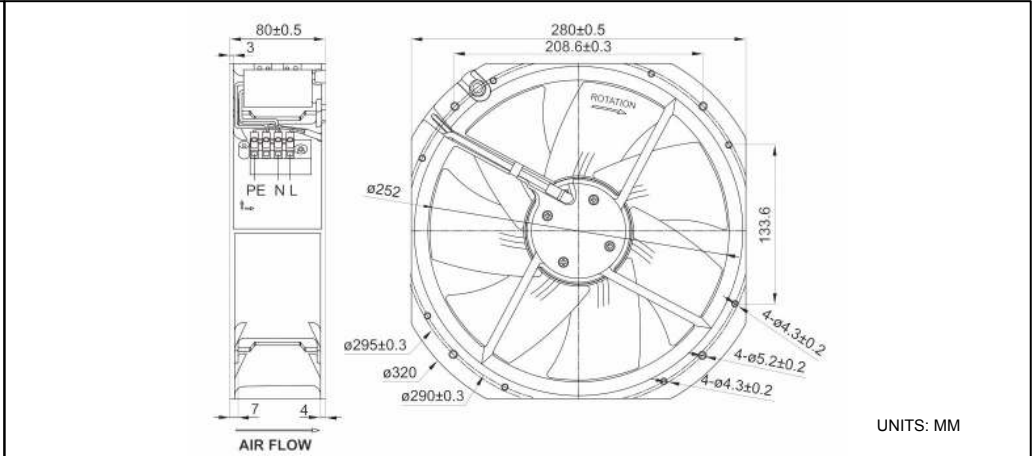


# OA280AN All Metal Series

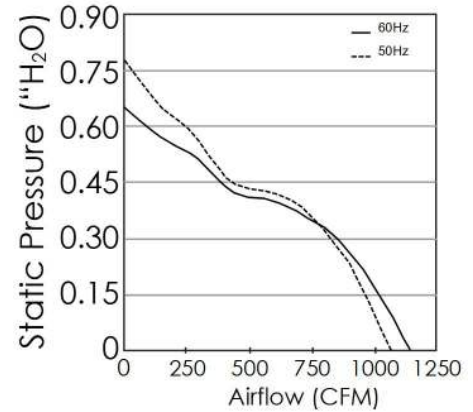


AC Fans - 115, 230V  
280mm x 80mm  
(11.0" x 3.15")



UNITS: MM

<b>Frame</b>	Die Cast Aluminum, Natural Finish	<b>Operating Temperature</b> -40°C ~ +80°C  <b>Storage Temperature</b> -40°C ~ +100°C  <b>Life Expectancy</b> 40,000 hours (L10 at 40°C)  <b>Installed Options</b> IP55 Rated Motor  <b>Available Options</b> Terminal Block Cover: P/N OA280AN-TCover  <b>Weight:</b> 6.2 lbs.
<b>Impeller</b>	Steel Alloy, All Metal	
<b>Connection</b>	Terminals	
<b>Motor</b>	AC, Capacitor Induction, Single Phase, Thermally Protected, IP55	
<b>Bearing System</b>	Ball Bearings	
<b>Dielectric Strength</b>	1500VAC/min, <1mA	
<b>Insulation Resistance</b>	≥10MΩ @ 500V DC	



Part Number	Rated Voltage (Volts AC)	Voltage Range (Volts AC)	Frequency (Hz)	Input Power (Watts)	Rated Current (Amps)	Rated Speed (RPM)	Max Airflow (CFM)	Noise Level (dB)	Max Static Pressure (\"H <sub>2</sub> O)
OA280AN-11-1TB18	115	100 ~ 125	50 / 60	112 / 148	1.00 / 1.50	2550 / 2700	1090 / 1130	68 / 70	0.78 / 0.65
OA280AN-22-1TB18	230	200 ~ 240	50 / 60	119 / 158	0.59 / 0.82	2550 / 2700	1090 / 1130	68 / 70	0.78 / 0.65