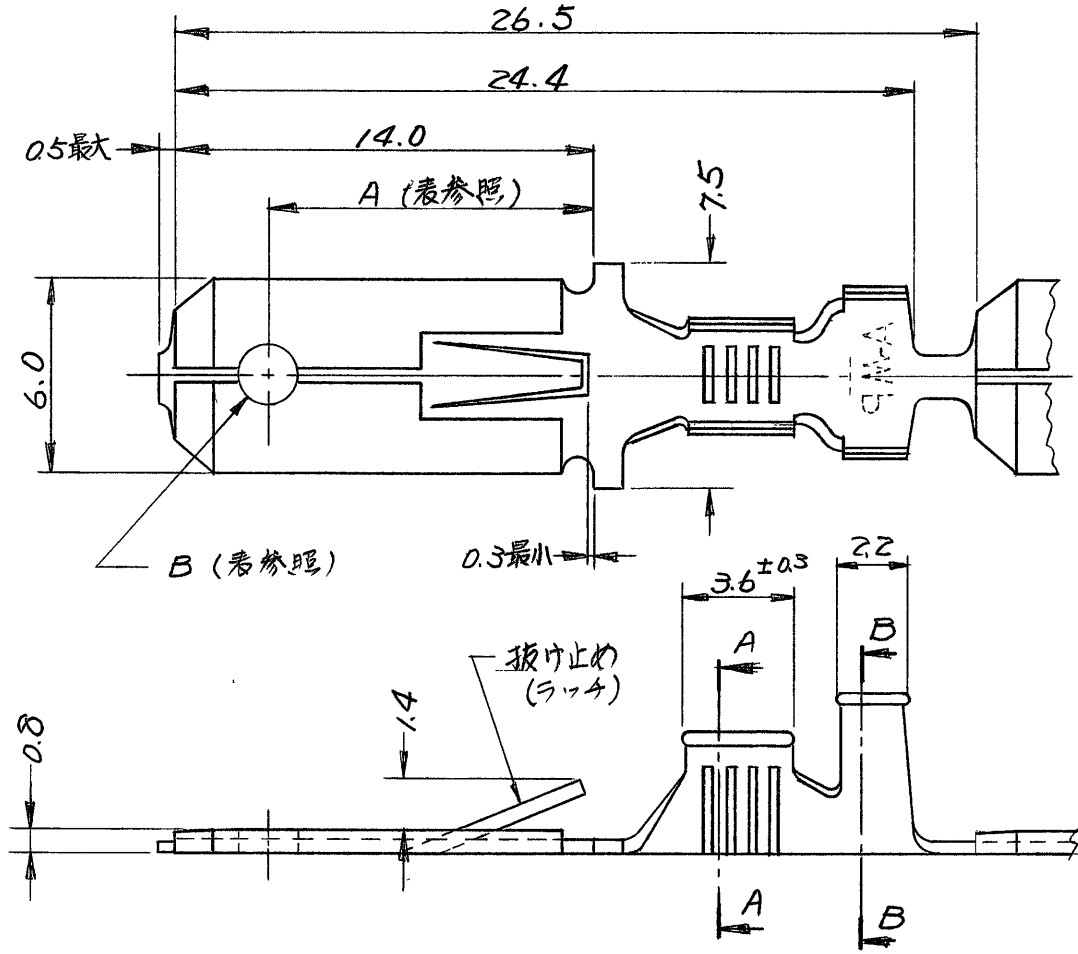


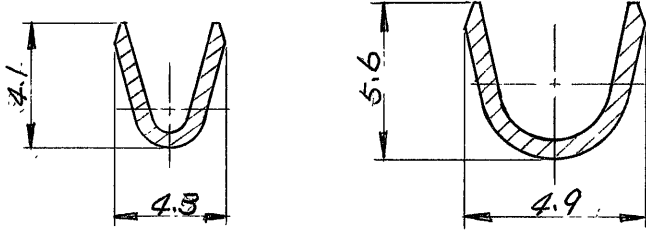
番号 (NUMBER)  
C-170088



注. 製品規格番号  
108-5001-1-2.

NOTES  
PRODUCT SPEC No. 108-5001

① OBSOLETE PARTS: OBSOLETE CIS  
STREAMLINING PER D.RENAUD/D.SINISI



型番 (P/N)	材質 (MATERIAL)	仕上 (FINISH)	MATING REC. No.	A	B
① OBSOLETE 170088-1	BRASS ±0.4	—	170031 対応	11.0	2.0
② OBSOLETE 170088-2	BRASS ±0.4	BRIGHT-TIN	170089	11.0	2.0
170088-3	BRASS ±0.4	BRIGHT-TIN		—	—
① OBSOLETE 170088-4	PRE-TIN BRASS ±0.4	—		11.0	2.0
170088-5	PRE-TIN BRASS ±0.4	—		—	—

B4	REVISED PER ECO-17-012711	RS	TD	30AUG 17
B3	REVISED PER ECO-09-026346	KK	AEG	26NOV 09
B2	-2 OBSOLETE FJ00-0706-93 K.Y. RJ 8/4 93			
B1	ADDED (REV.) P-DWG (REV.) J.A. 1/29/74			
B	REVISED H.S. J.S. 7/19/74			
A2	REDRAWN (REV. B) P-DWG (REV. B) H.S. J.S. 7/1/74			
LTR.	変更 (REVISION RECORD)	DR.	CHK.	DATE
DR.	H. Shibayaki 7/11/74	DE.		
CHK.	J. Suzuki 7/11/74	APP.	Y. Sato 7/12/74	

材料 (MATERIAL) (SEE TABLE) 表参照  
仕上 (FINISH) (SEE TABLE) 表参照  
①9 BY AMP (Japan), Ltd ALL RIGHTS RESERVED AMP PRODUCTS COVERED BY PATENTS AND/OR PATENTS PENDING

参考図面 (CUSTOMER COPY) (REFERENCE ONLY)

材料 (MATERIAL) (SEE TABLE) 表参照  
仕上 (FINISH) (SEE TABLE) 表参照  
包含電線断面積 (WIRE RANGE) # 1.94~3.37 mm<sup>2</sup> (AWG 14-12)  
被覆外径 (INSULATION DIA) 2.9~3.8 mm (V15-K50N)

TE Connectivity  
分類 (CLASS) —  
型式 (TYPE) オートマタック

一般公差 (TOLERANCE) EXCEPT AS NOTED ±0.4 ±1°  
尺度 (SCALE) —  
LOC JA SIZE C-170088 番号 (NO) B4

名称 (NAME) 250 SERIES TAB WITH LATCH "250" シリーズ ラッチ付 タブ

PRINT DIST 単位: 耗 DIMENSIONS IN MM. DO NOT SCALE PRINT