

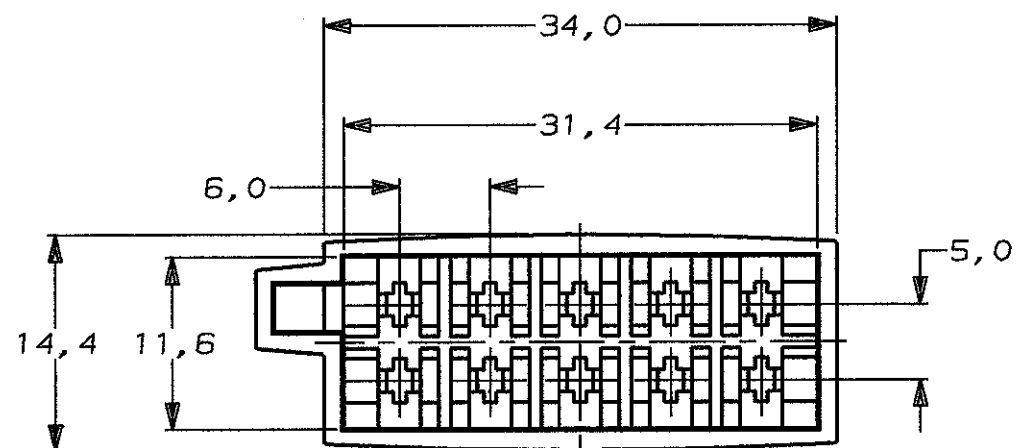
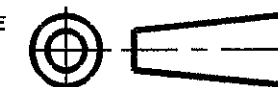
DO NOT SCALE

DIMENSIONS IN mm

METRIC

THIRD ANGLE

PROJECTION

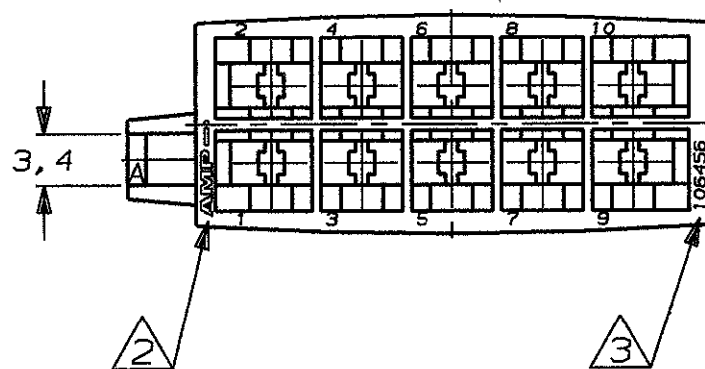
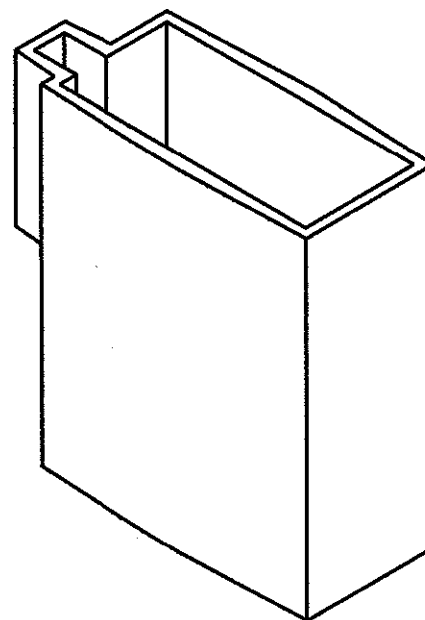
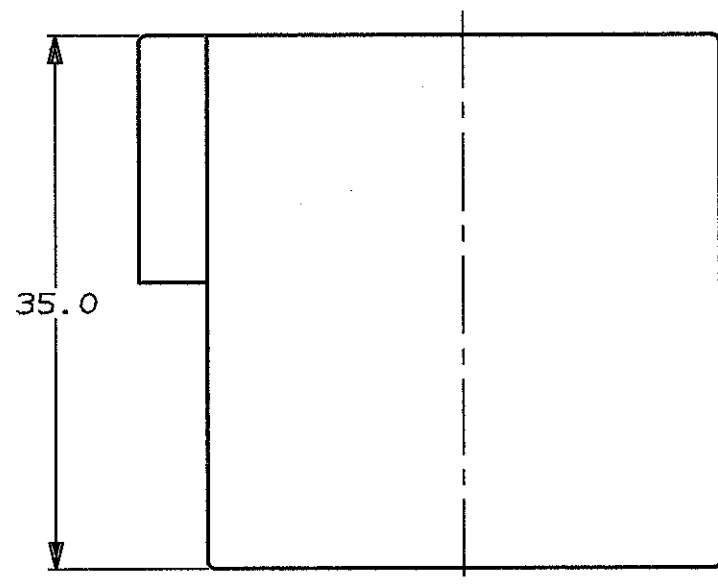


NOTES:

1 TABS 160743 (STANDARD) AND 927892 (SIDEWAY) CAN BE USED IN THIS HOUSING

△ AMP TRADE MARK.

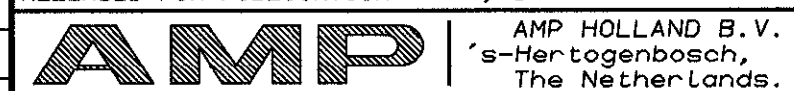
△ AMP PN. IDENTIFICATION.



—	—	—
BLACK	PBT	106456-1
FINISH		MATERIAL
		PARTNUMBER

—	—	—	—	—
—	—	—	—	—
—	—	—	—	—
—	—	—	—	—
B	EH-0003-94	JvL	RotB	12-01-94
A	EH-0692-93	JvL	RotB	17-09-93
O	EH-0587-93	JvL	RotB	23-07-93
LTR.	REVISION RECORD	DR.	CHK.	DATE

**CUSTOMER DRAWING** FOR REFERENCE ONLY WILL NOT BE UPDATED  
 © COPYRIGHT 19- BY AMP HOLLAND B.V.  
 ALL INTERNATIONAL RIGHTS RESERVED. AMP PRODUCTS MAY BE COVERED BY U.S. AND FOREIGN AND/OR PATENTS PENDING.  
 THIS DRAWING IS UNPUBLISHED  
 RELEASED FOR PUBLICATION —, 19—



NAME  
 10 POS 2,8MM TAB HOUSING

DR.:	J.v.LIEMPT	CHK.:	R.o.t.BERG	APP.:	L.v.SOEST	DWG.No.	C-106456	REV.LTR.	B	SHEET	1 OF 1	A3
DATE:	01 SEP 93	DATE:	-	DATE:	24-1-94							