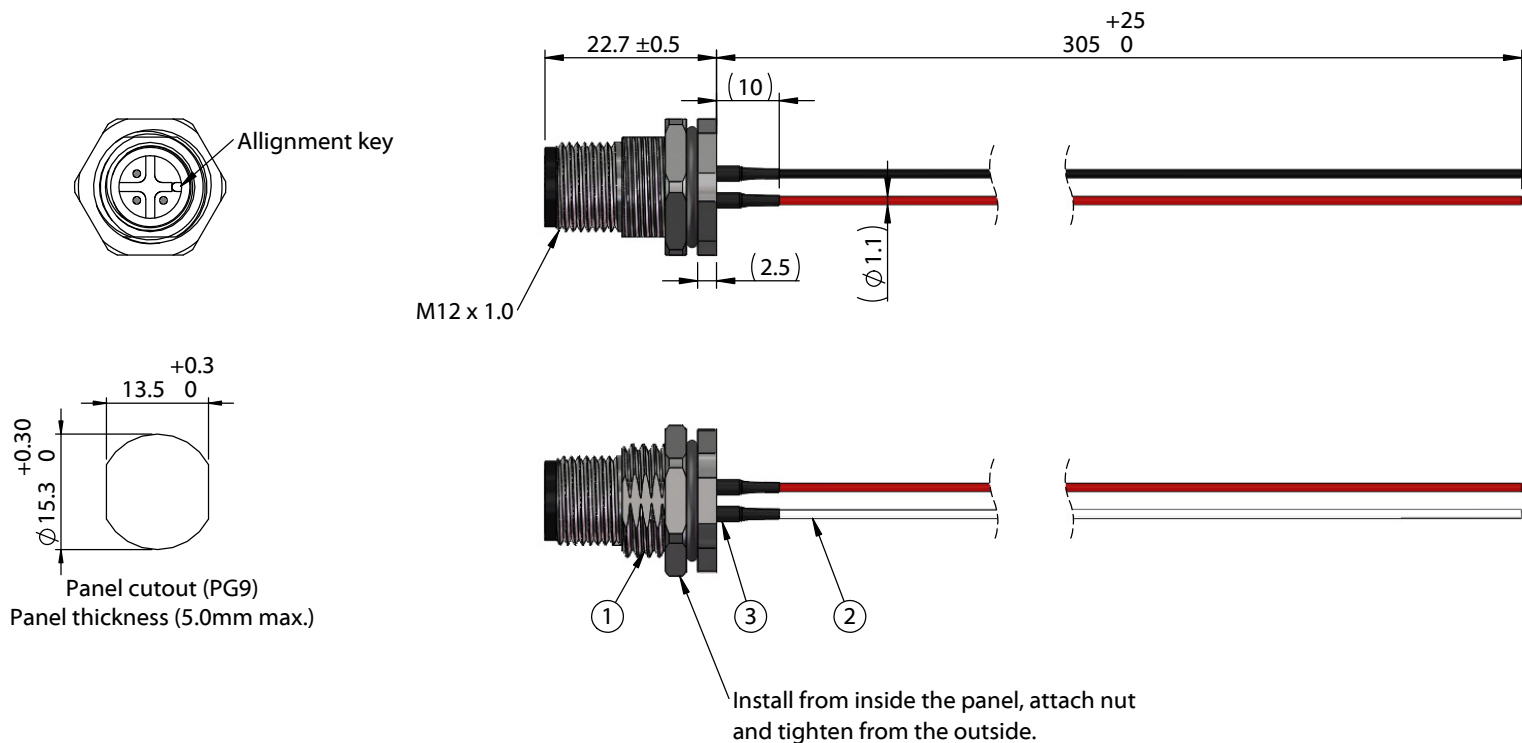


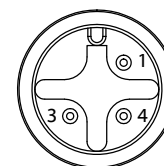
| ITEM NO. | PART NUMBER | DESCRIPTION | QTY. | COMPONENT NOTES |
|----------|-------------|--|------|--------------------------|
| 1 | 54-00194 | Connector, 3 pin M12 A-code plug, 12xL24mm, gold plated, panel mount, solder cup, IP67 | 1 | nut and o-ring included |
| 2 | Wire | Wire, hook-up, TS, 24 AWG, UL 11028, 600V, 105C, 1.1 mm, mPPE | 3 | color: red, black, white |
| 3 | Heat shrink | Heat shrink, UL, black | 3 | covers solder joints |



Notes:
Cable rated for 250 V, 4 A
Temperature: -40 ~ 105 °C

IP67 waterproof rating when mated with corresponding (IP67) connector and installed properly in panel

Cables individually packaged in PE bag
Functionally equivalent components may be substituted



Front View
Not to Scale

| Wiring Diagram | |
|----------------|------------------|
| 54-00194 | wire color (P/N) |
| 1 | red (30-01762) |
| 3 | black (30-01763) |
| 4 | white (30-01764) |

| | | | | | |
|-----------|-----------|-----------------|---|---|--|
| Revision: | Date: | Description: | Prepared: PB <small>Digitally signed by PB Date: 2022.11.10 11:20:03 -08'00'</small> | Notes: | <h1>TENSILITY</h1> <p>tel 1.541.323.3228 800 877.670.7118 fax 1.541.323.4202 web tensility.com</p> |
| A | 11/8/2022 | Initial release | Verified: MP <small>Digitally signed by MP Date: 2022.11.28 15:27:17 -08'00'</small> | RoHS compliant | |
| | | | Dimensions are in millimeters. Tolerances: X: ± 0.5 mm X.X: ± 0.3 mm X.XX: ± 0.05 mm | Function test: no open, no short circuit, no intermittent | |
| | | | | Description: Cable, 305 mm, M12 3C plug panel mount 54-00194 to blunt cut, 24 AWG, UL 11028 hook-up wire | |
| | | | | Size: A | Part number: 10-05264 |
| | | | | Scale: 1:1 | Sheet 1 of 1 |