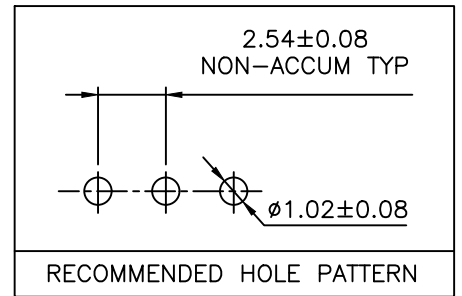
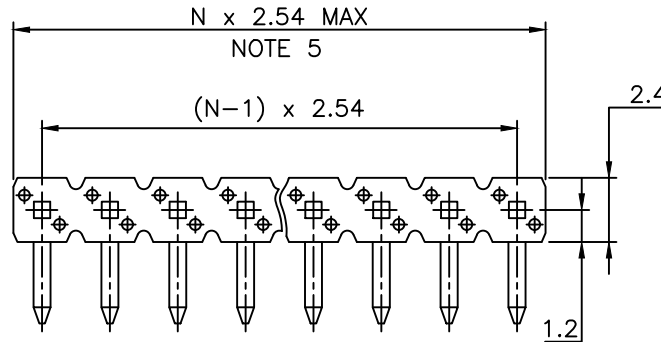


PRODUCT NUMBER

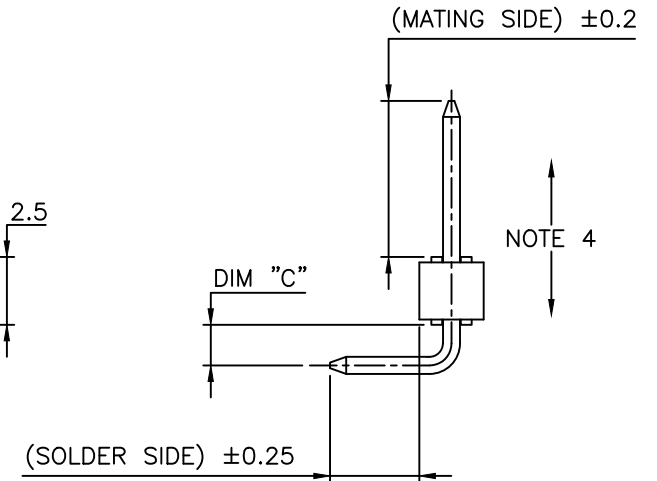
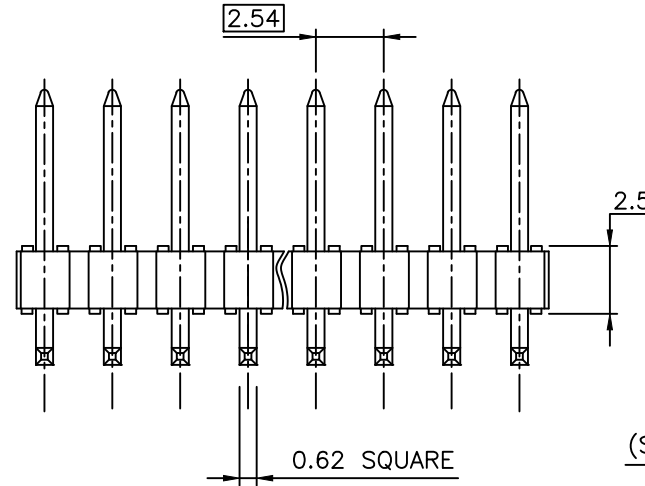
77315-YXX-XXLF

- RoHS COMPATIBLE  
SEE NOTE 7
- TOTAL NB OF POSITIONS 01 TO 36
- PACKAGING, NOTE 3
- PIN STYLE SEE SHEET 2
- PLATING SEE SHEET 2



NOTES:

1. HOUSING MAT'L : HIGH TEMPERATURE THERMOPLASTIC. UL94V-0 COLOR: BLACK
2. PIN MATERIAL : PHOSPHOR BRONZE
3. PACKAGING:
  - PACKAGING POLYBAG OR BLIBOX
  - "V" BLIBOX PACK FOR CUSTOMER DEDICATED PART
  - "K" TAPE & REEL PACKAGING WITHOUT PICK UP CAP
4. 9N MIN RETENTION IN EITHER DIRECTION
5. TO DETERMINE DIMENSIONS :  
N = NUMBER OF POSITIONS PER ROW  
EXAMPLE : 8 POS  $N \times 2.54 = 20.32\text{mm}$
6. UNDERPLATING :  $1.27\mu\text{m}$  Ni MIN
7. RoHS COMPATIBLE PRODUCT SPECIFICATIONS
  - a - PLATING:
    - "LF" MEANS THE PRODUCT IS LEAD-FREE,  $2\mu\text{m}$  MINIMUM MATTE TIN OVER  $1.27\mu\text{m}$  MINIMUM NICKEL UNDERPLATE.
  - b - MANUFACTURING PROCESS COMPATIBILITY
    - THE HOUSING WILL WITHSTAND EXPOSURE TO  $260^\circ\text{C} \pm 5^\circ\text{C}$  SOLDER BATH TEMPERATURE FOR 5 SECONDS IN A WAVE SOLDER APPLICATION WITH A 1.6mm MIN THICK CIRCUIT BOARD.
    - REFLOW COMPATIBLE
  - c - LABELING:
    - MEETS PACKAGING SPECS AS PER GS-14-920
  - d - LEGAL STATEMENT: SEE GS-47-0004



mat'l. code SEE NOTES				surface ISO 1302 <input checked="" type="checkbox"/>	tolerance ISO 406 <input checked="" type="checkbox"/> ISO 1101	projection 	product family BERGSTIK
ltr	ecn no	dr	date	tolerances unless otherwise specified	linear	mm	title UNSHR.HEADER RA SR TMT
BB	F-26544	LMU	17.11.20	.X $\pm 0.3$			dwg no 77315 sheet 1 of 2 size A3
BC	F-38749	DDE	20.10.26	.XX $\pm 0.15$			
BD	F-39738	DDE	21.01.22	.XXX $\pm 0.05$		scale 5:1	type CUSTOMER Drawing
BE	F-41253	DDE	21.06.17	dr	D.LE	01.01.24	
BF	F-47090	DDE	23.01.23	enr	JM.C	01.01.24	
				chr	JM.C	01.01.24	
				appd	JF.N	01.01.24	
sheet index	revision sheet	BF	AY				
		1	2				

PRODUCT SPECIFICATIONS

PIN STYLE	MATING	SOLDER	DIM "C"
01	5.72	2.57	1.5
02	5.72	5.11	1.5
03	5.72	7.65	1.5
07	5.72	5.11	3.9
13	5.72	3.45	1.5
18	5.84	3.05	1.5
22	11.71	3.2	1.5
24	6.75	2.85	1.5
25	8.07	3.05	1.5
26	8.2	12.6	1.5
27	5	3.9	1.5
28	3.1	3.1	1.5
29	9.7	2.90	1.5
30	8.30	4.40	1.5
31	11.70	2.80	1.5
32	8.90	3.05	1.5
33	10.20	3.05	1.5
34	10.00	3.25	1.5
35	5.72	12.73	1.5
36	N/A		
37	N/A		
38	8.51	5.51	1.5
39	9.80	9.30	1.5
40	8.13	2.54	3.90
41	14.20	3.05	1.5
42	9.00	7.20	1.5
43	8.08	2.79	1.5
44	15.70	2.79	1.5
45	8.20	2.35	1.5
46	3.10	9.90	1.5
47	2.30	2.30	1.5
48	3.50	3.05	1.5
49	6.60	4.52	1.5
50	7.00	9.00	4.46
51	7.60	10.50	1.5

PRODUCT SPECIFICATIONS

PIN STYLE	MATING	SOLDER	DIM "C"
52	2.54	3.05	1.5
53	1.2	2.30	1.5
54	2.5	7.40	2.66
55	5.1	5.1	1.5
56	3.0	5.83	3.4
57	4.50	3.05	1.5
58	4.50	2.29	1.5
59	3.00	6.00	1.5
60	5.84	5.58	3.9

PLATING

- 1 = 0.76µm GOLD/GXT ON CONTACT AREA, 2µm TIN MIN ON TAIL
- 4 = 3µm-5µm TIN FULL PLATED REFLOW
- 5 = 0.25µm GOLD/GXT ON CONTACT AREA, 2µm TIN MIN ON TAIL ONLY AVAILABLE UPON REQUEST
- 8 = 0.38µm GOLD/GXT ON CONTACT AREA, 2µm TIN MIN ON TAIL
- G = 0.76µm FULL GXT
- S = 0.38µm FULL GXT
- 1.27µm NICKEL MIN UNDERLAYER FOR ALL PLATING VERSIONS

A

B

C

D

A

B

C

D



FCIconnect.com

Copyright FCI

mat'l. code				surface		tolerance		projection		product family	
SEE NOTES				ISO 1302 <input checked="" type="checkbox"/>		ISO 406 ISO 1101				BERGSTIK	
ltr	ecn no	dr	date	tolerances unless otherwise specified				title			
AX	F-41253	DDE	21.06.17	angles	linear	.x ±0.3				UNSHR.HEADER RA SR TMT	
AY	F-47090	DDE	23.01.23			.xx ±0.15					
						.xxx ±0.05					
				dr	D.LE	01.01.24		scale 5:1		dwg no	
AU	F-25361	DDE	16.11..16	engr	JM.C	01.01.24				sheet 2 of 2	
AV	F-26544	LMU	17.11.20	chr	JM.C	01.01.24				size	
AW	F-38749	DDE	20.10.26	appd	JF.N	01.01.24				A3	
sheet index		revision sheet								type	
										CUSTOMER Drawing	