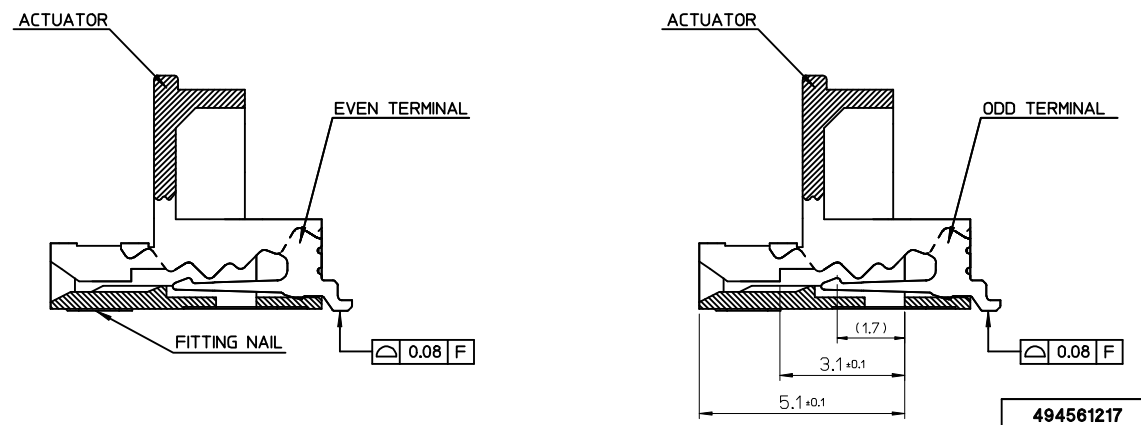
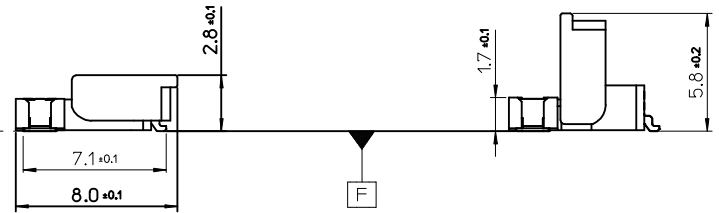
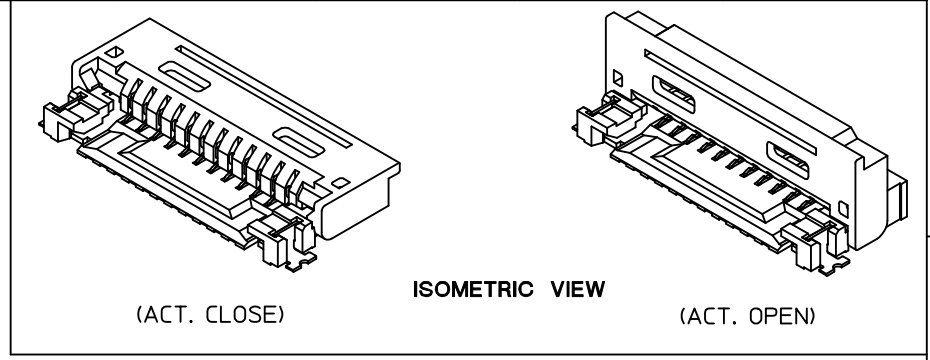
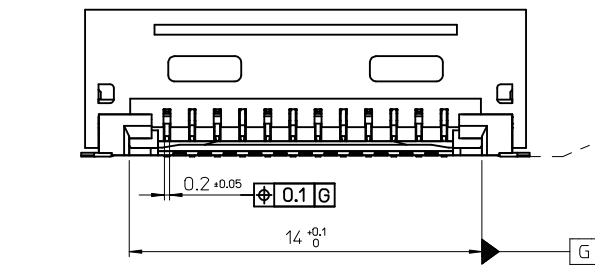
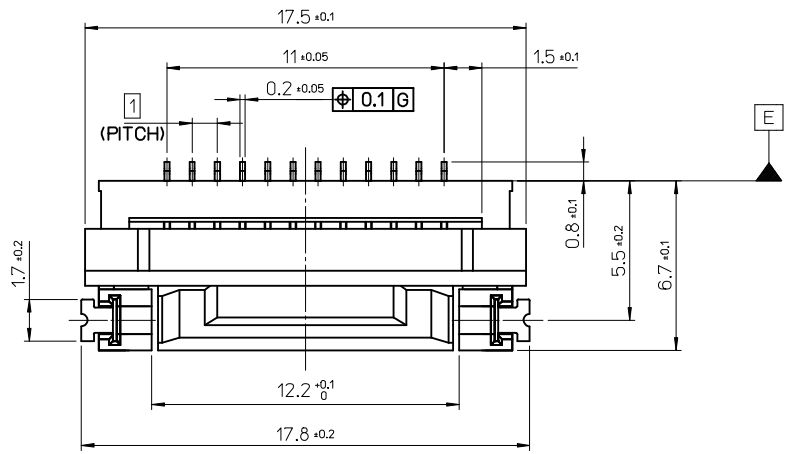


10 9 8 7 6 5 4 3 2 1



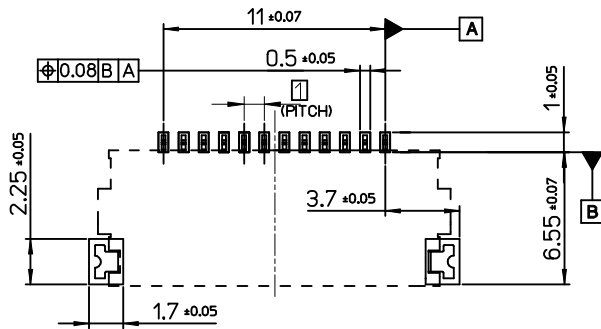
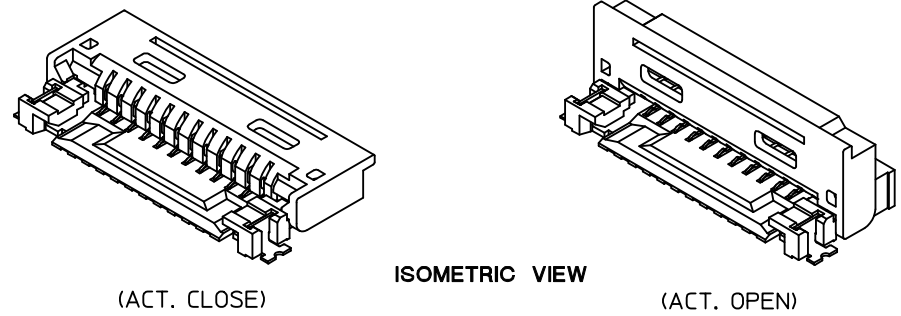
- NOTES**
- MATERIAL**
 - HOUSING : LCP GLASS FILLED. UL94V-0, COLOR:NATURAL.
 - ACTUATOR : LCP GLASS FILLED. UL94V-0, COLOR:BLACK.
 - TERMINAL : COPPER ALLOY
 - FITTING NAIL : COPPER ALLOY
 - FINISHES**
 - TERMINAL : TIN[Sn] OVER NICKEL[Ni] PLATING.
Tin[Sn] 1.5~3 MICROMETER
NICKEL[Ni] 2~4 MICROMETER (UNDER PLATING)
 - FITTING NAIL : TIN[Sn] OVER NICKEL[Ni] PLATING.
Tin[Sn] 1.5~3 MICROMETER.
NICKEL[Ni] 1~3 MICROMETER (UNDER PLATING)
 - PRODUCT SPECIFICATION** : PS-49456-001
 - PACKING SPECIFICATION** : PK-49456-001
 - ACTUATOR IS OPEN IN THE EMBOSSED PACKING**

494561217
ORDER NO.

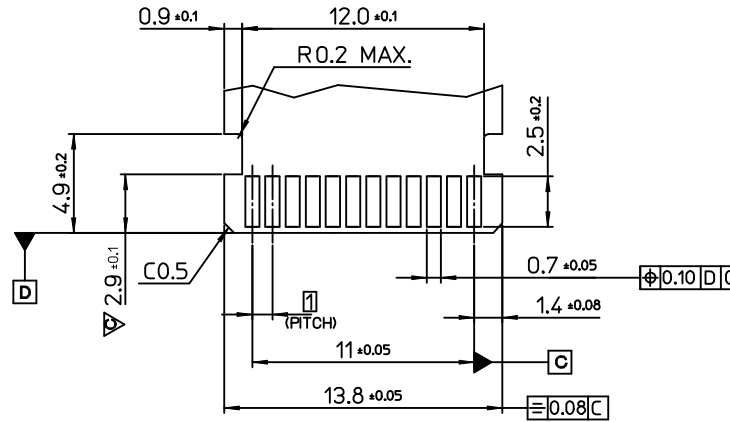
REVISED EC NO: KOR2016-0097 DRW: KYHWANG 2016/03/22 CHK: KSK IM 2016/03/22 APPR: YSK IM02 2016/03/25	QUALITY SYMBOLS 	GENERAL TOLERANCES (UNLESS SPECIFIED)		DIMENSION STYLE MM ONLY		SCALE	DESIGN UNITS METRIC	THIRD ANGLE PROJECTION	
		mm INCH	DRAWN BY KYHWANG	DATE 2014/09/05	TITLE 1.0 FFC BACKFLIP CONN. HOUSING ASSY 12P			DOCUMENT NO. SD-49456-003	SHEET NO. 1 OF 3
		4 PLACES ± --- ± --- 3 PLACES ± --- ± --- 2 PLACES ± 0.25 ± --- 1 PLACE ± 0.3 ± ---	CHECKED BY KSK IM	DATE 2014/09/05					
		ANGULAR ± 1 °	APPROVED BY YSK IM02	DATE 2014/09/22	MATERIAL NO. SEE TABLE		THIS DRAWING CONTAINS INFORMATION THAT IS PROPRIETARY TO MOLEX INCORPORATED AND SHOULD NOT BE USED WITHOUT WRITTEN PERMISSION		

9 8 7 6 5 4 3 2 1

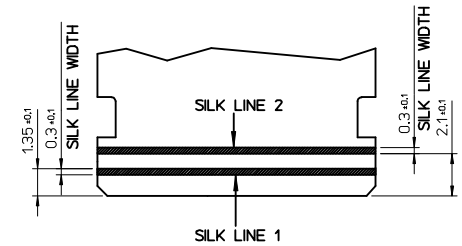
LEAD-FREE



P.C. BOARD DIMENSION (RECOMMEND)



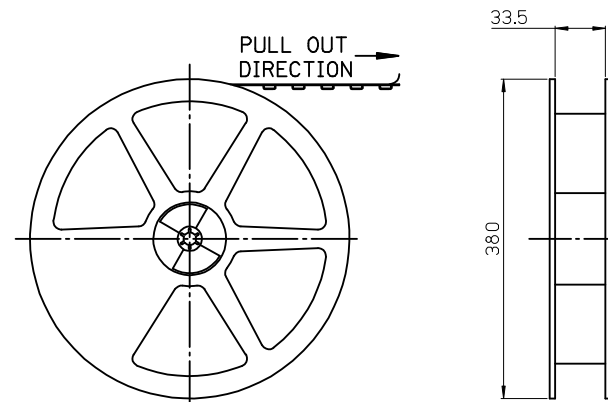
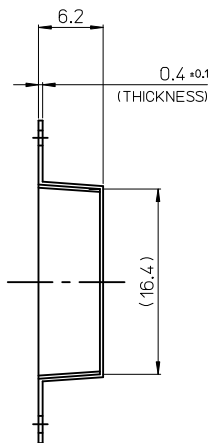
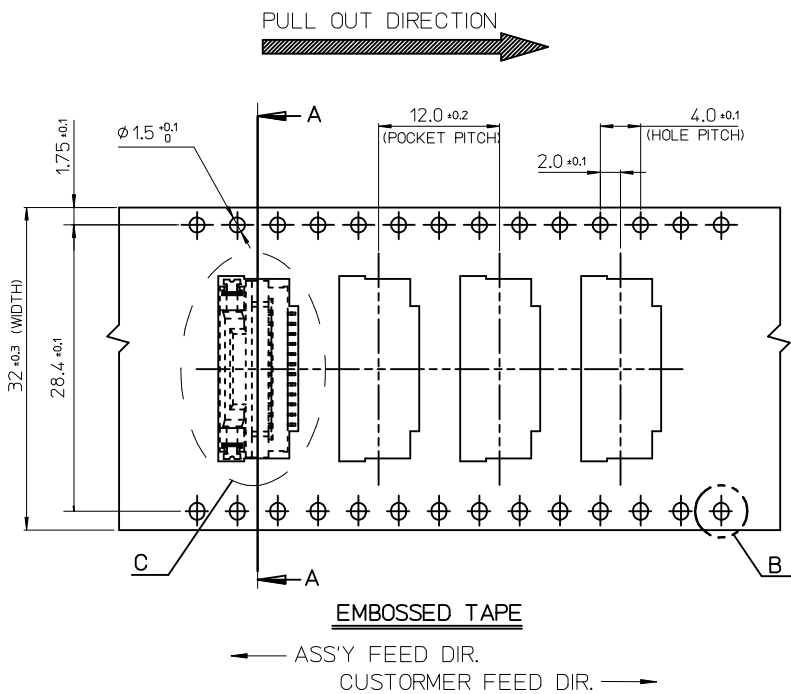
FPC/FFC DIMENSION CONTACT SIDE (RECOMMEND)
(FLIM THICKNESS = 0.3±0.05)



FPC/FFC DIMENSION BACK SIDE (RECOMMEND)

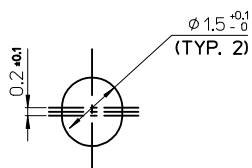
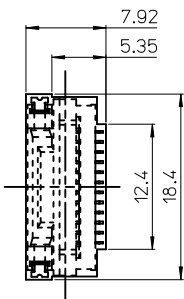
1. RECOMMENDED FFC SPECIFICATION
WHEN FFC FULLY INSERT : SILK LINE 1 : INVISIBLE
SILK LINE 2 : VISIBLE

REVISED EC NO: KOR2016-0097 DRW: KYHWANG 2016/03/22 CHK: KSKIM 2016/03/22 APPR: YSKIM02 2016/03/25	QUALITY SYMBOLS	GENERAL TOLERANCES (UNLESS SPECIFIED)	DIMENSION STYLE	SCALE	DESIGN UNITS	THIRD ANGLE PROJECTION	
	▽=0 C=0	mm INCH 4 PLACES ± --- ± --- 3 PLACES ± --- ± --- 2 PLACES ± 0.25 ± --- 1 PLACE ± 0.3 ± --- ANGULAR ± 1 °	MM ONLY		METRIC		
	DESCRIPTION	DRAFT WHERE APPLICABLE MUST REMAIN WITHIN DIMENSIONS	DRAWN BY: KYHWANG CHECKED BY: KSKIM APPROVED BY: YSKIM02 MATERIAL NO.	DATE: 2014/09/05 DATE: 2014/09/05 DATE: 2014/09/22	TITLE	1.0 FFC BACKFLIP CONN. HOUSING ASSY 12P	
	REV		SEE SHEET 1	SIZE: A3	DOCUMENT NO.: SD-49456-003 SHEET NO.: 2 OF 3		THIS DRAWING CONTAINS INFORMATION THAT IS PROPRIETARY TO MOLEX INCORPORATED AND SHOULD NOT BE USED WITHOUT WRITTEN PERMISSION



NOTES

- QUANTITY OF CONNECTORS : 1200PCS/REEL
- LEAD LENGTH 25±10
10~20PCS (NUMBER OF EMPTY PART)
460 MIN
COMPONENT SUPPLIER
TAIL PART (EMPTY) 20~40PCS
- PEELING OFF FORCE OF COVER TAPE : 0.1N~0.59N(10.2gF~60gF)
(PEELING DIRECTION AS SHOW IN FOLLOW FIG.)
PEELING OFF SPEED : 300mm/Min.(Ref.)
PULL OUT DIRECTION
PEEL OFF DIRECTION
- FLASH IN ANY PORTION SHOULD BE LESS THAN 0.20mm MAX.



494561217	494569912
ORDER NO.	EMBOSS TAPE

REVISED
EC NO: KOR2016-0097
DRAWN: KYHWANG 2016/03/22
CHKD: KSK IM 2016/03/22
APPR: YSK IM02 2016/03/25

QUALITY SYMBOLS	GENERAL TOLERANCES (UNLESS SPECIFIED)		DIMENSION STYLE		SCALE	DESIGN UNITS	THIRD ANGLE PROJECTION
	mm	INCH	MM ONLY			METRIC	
▽=0	4 PLACES ± ---	± ---	DRAWN BY	DATE	TITLE		
∇=0	3 PLACES ± ---	± ---	CHECKED BY	DATE	1.0 FFC BACKFLIP CONN. HOUSING ASSY 12P		
	2 PLACES ± 0.25	± ---	APPROVED BY	DATE			
	1 PLACE ± 0.3	± ---	YSK IM02	2014/09/22			
	ANGULAR ± 1 °		MATERIAL NO.	DOCUMENT NO.	SD-49456-003		
DRAFT WHERE APPLICABLE MUST REMAIN WITHIN DIMENSIONS			SIZE	THIS DRAWING CONTAINS INFORMATION THAT IS PROPRIETARY TO MOLEX INCORPORATED AND SHOULD NOT BE USED WITHOUT WRITTEN PERMISSION			

3	PLASTIC BOBBIN	HI P.S	WHITE
2	COVER TAPE	P.E.T	25.5mm
1	CARRIER (EMBOSSSED) TAPE	P.E.T	-
NO.	DESCRIPTION	MATERIAL	REMARK