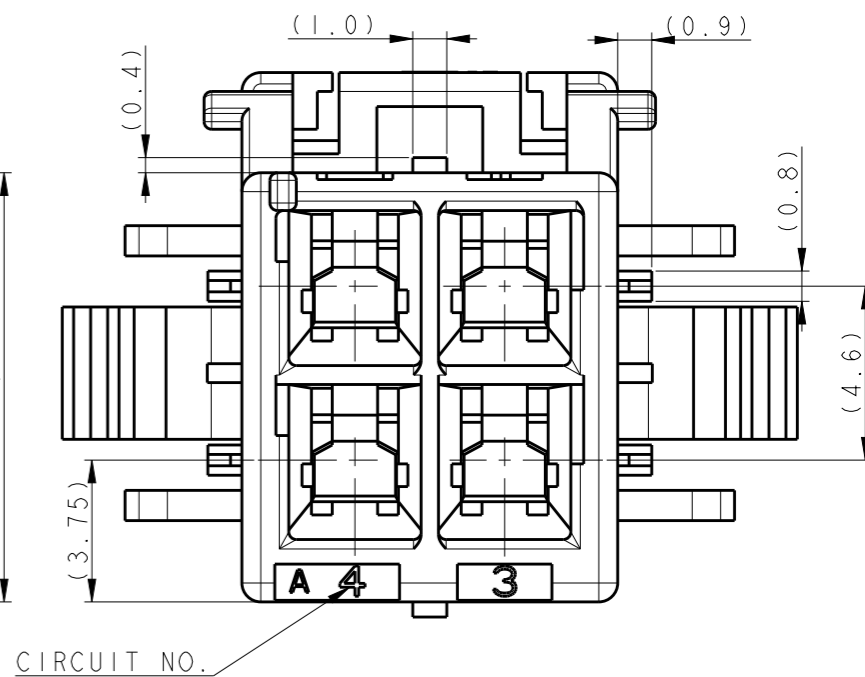
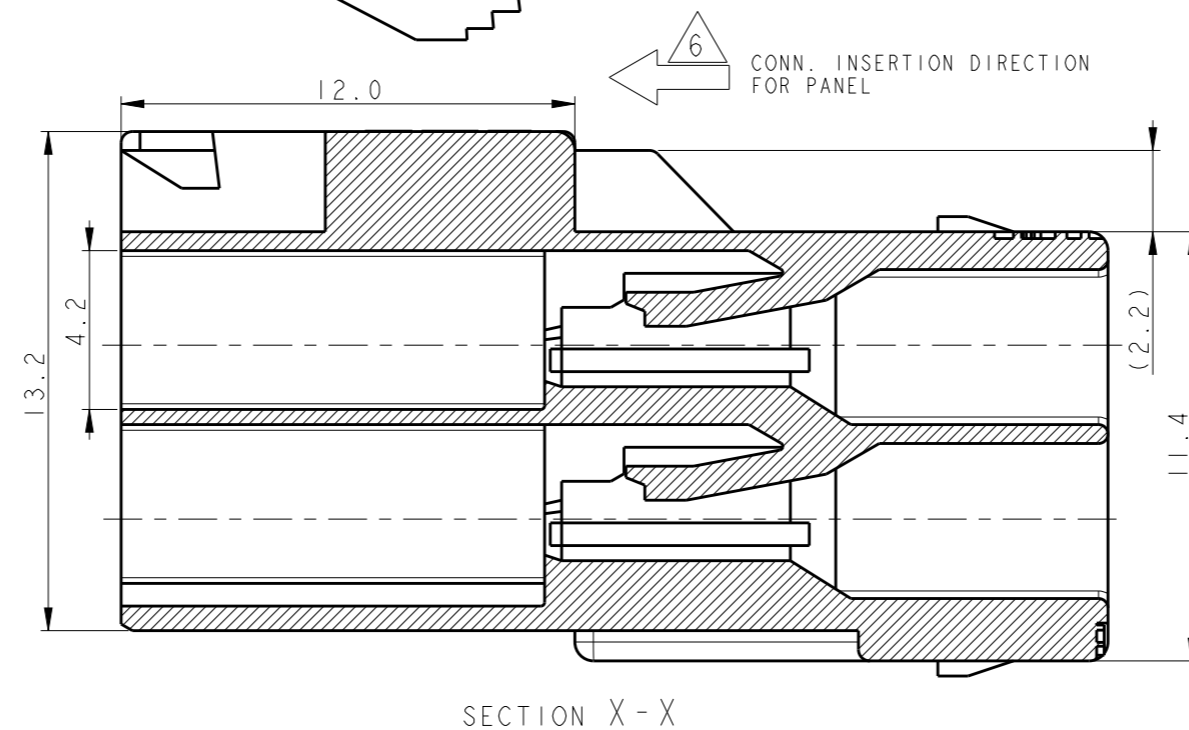
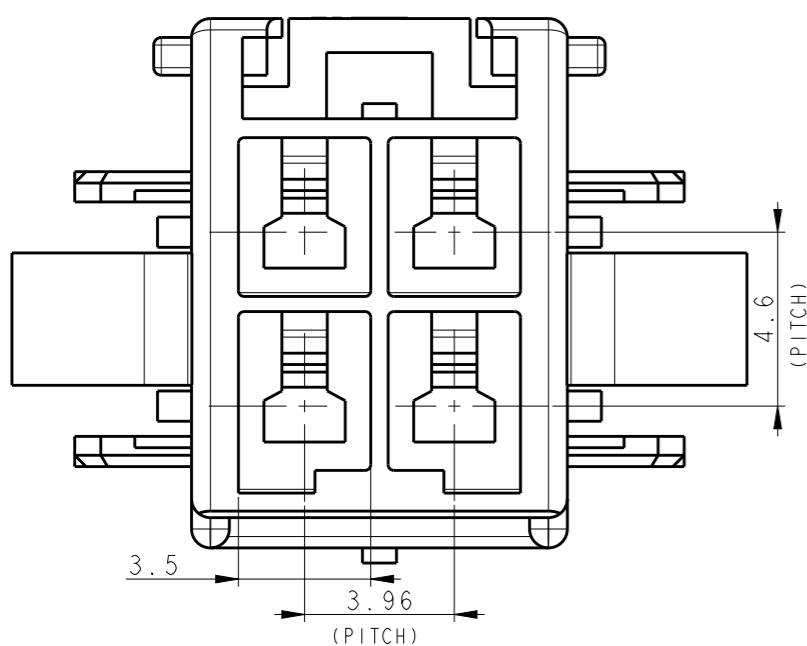
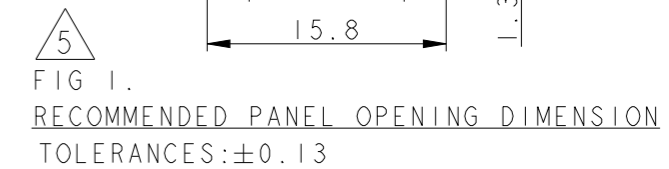
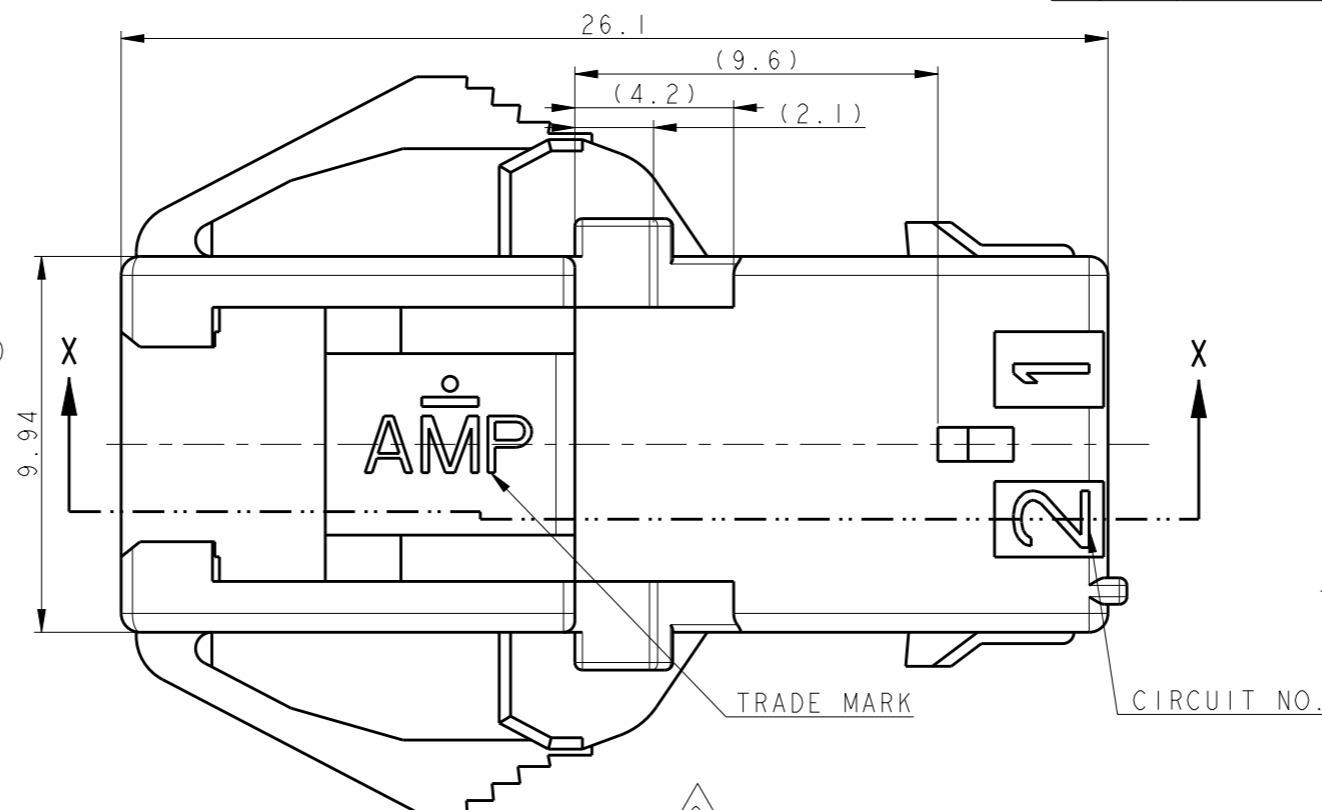


P	LTR	DESCRIPTION	DATE	DWN	APVD
B		REVISED PER ECR-19-009721	01JUL2019	M.G	D.Z

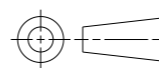
- NOTE;
- THIS HOUSING ACCEPTS TAB TERMINAL:  
-TAB CONTACT: 177917-□ (AWG#16-#20)  
177916-□ (AWG#22-#26)
  - MATING CONN. P/N  
-PLUG HSG: □-368575-□  
-REC CONTACT: 177915-□ (AWG#16-#20)  
177914-□ (AWG#22-#26)
  - APPLICABLE DOUBLE LOCK PLATE: □-368590-1
  - GENERAL TOLERANCES: ±0.3
  - APPLICATOIN PANEL THICKNESS: 0.8~2.0 (SEE FIG 1.)
  - INSERT CONN. FROM PRESS DIRECTION SIDE FOR METAL PANEL.
  - EDGE OF THICKNESS MAY MUST NOT ROUND FOR MOLDED PANEL.
  - ALL PARTS COMPLY WITH GLOW WIRE REQUIREMENT FOR PARTS OF NON-METALLIC MATERIAL SUPPORTING A CURRENT-CARRYING CONNECTION DETAILED IN IEC 60335-1, SECTION 30(GWT)



1-368589-6	PA66 UL94V-0	BLUE
1-368589-4		YELLOW
1-368589-2		RED
1-368589-1		NATURAL
368589-6	PA66 UL94V-2	BLUE
368589-4		YELLOW
368589-2		RED
368589-1		NATURAL
P/N	MATERIAL	COLOR

THIS DRAWING IS A CONTROLLED DOCUMENT.

DIMENSIONS:  
mm



MATERIAL  
SEE TABLE

TOLERANCES UNLESS OTHERWISE SPECIFIED:

- 0 PLC ±
- 1 PLC ±
- 2 PLC ±
- 3 PLC ±
- 4 PLC ±
- ANGLES ±
- FINISH -

DWN	SC KIM
CHK	BW KANG
APVD	JK SONG
PRODUCT SPEC	108-5410
APPLICATION SPEC	114-5175
WEIGHT	-
CUSTOMER DRAWING	



NAME  
PDL 4P CAP HSG 3.96mm D/R P/M (GWT)

SIZE	CAGE CODE	DRAWING NO	RESTRICTED TO
A3	00779	C-368589	-

SCALE 5:1 SHEET 1 OF 1 REV B