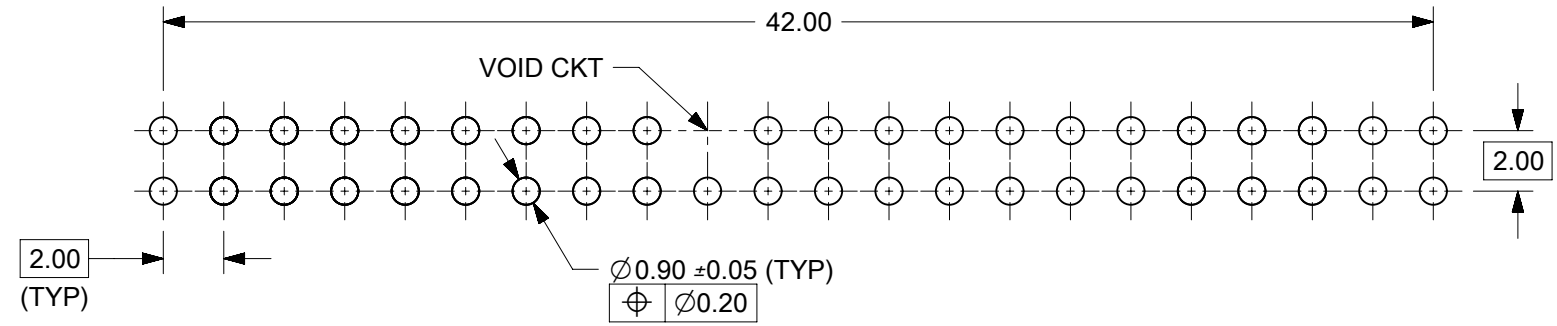
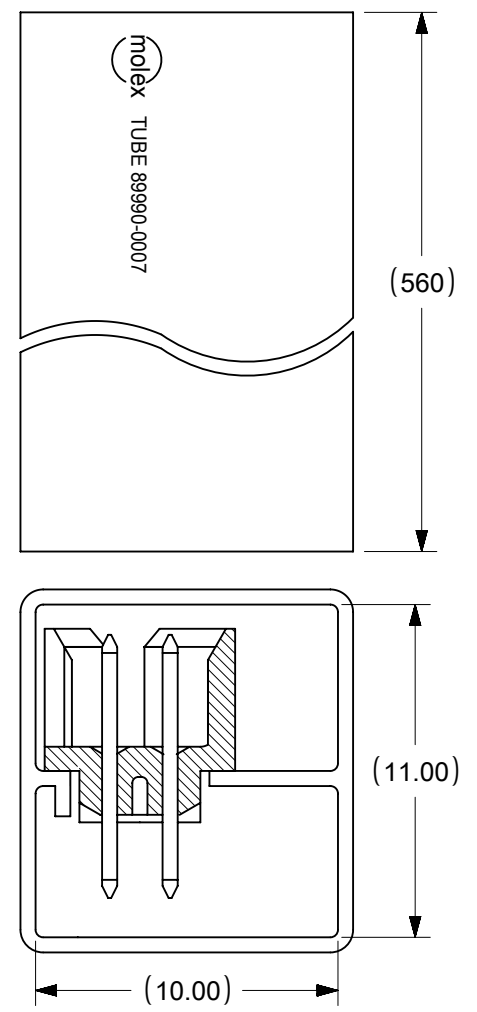


P/N IN TUBE	CKT SIZE	VOID(S) CKT
87831-4451	44	20

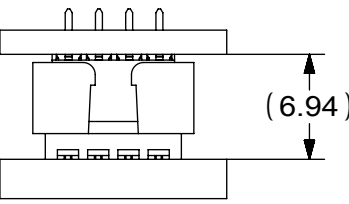
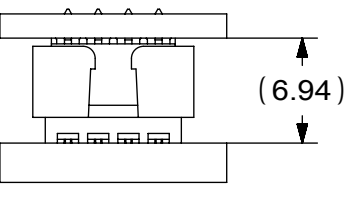
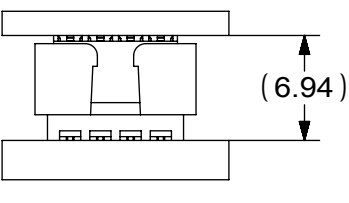
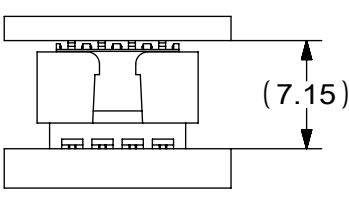
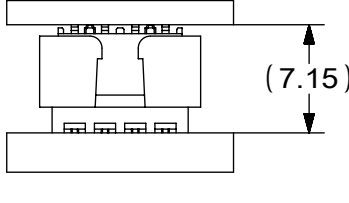


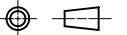
- NOTES:**
- MATERIAL :**
HOUSING : 30% G.F., NYLON 46, UL94V-0, COLOR BLACK.
PIN : 0.50mm SQ. PHOSPHOR BRONZE.
 - PRODUCT SPECIFICATION PS-87831-027 APPLIES.
 - PLATING OPTIONS.**
0.38µm/15µin GOLD IN CONTACT AREA AND 1.88µm/75µin MIN. TIN IN SOLDER TAIL AREA OVER 1.27µm/50µin MIN. NICKEL OVERALL.
 - THIS HEADER MATES WITH MOLEX :
a) CRIMP RECEPTACLE HOUSING, 51110 SERIES WITH CRIMP TERMINAL, 50394 SERIES.
b) 2mm MILLIGRID DUAL ROW IDT, 87568 SERIES.
 - PARTS TO BE PACKED IN MOISTURE BARRIER BAG.

THIS DRAWING CONTAINS INFORMATION THAT IS PROPRIETARY TO MOLEX ELECTRONIC TECHNOLOGIES, LLC AND SHOULD NOT BE USED WITHOUT WRITTEN PERMISSION									
DIMENSION UNITS		SCALE		CURRENT REV DESC: ADDED BTB DIST.					
mm		NTS							
GENERAL TOLERANCES (UNLESS SPECIFIED)									
		MM	INCH						
4 PLACES	±								
3 PLACES	±								
2 PLACES	±	0.2		EC NO: 619055		2019/05/21		SD-87831-018	
1 PLACE	±			DRWN: HK02		2019/07/09			
0 PLACES	±			CHK'D: NMANE02		2019/07/09			
ANGULAR TOL ± 3.0°				APPR: MRAMAKRISHNA		2019/07/09		PRODUCT CUSTOMER DRAWING	
DRAFT WHERE APPLICABLE MUST REMAIN WITHIN DIMENSIONS				THIRD ANGLE PROJECTION		DRAWING		SERIES	
				A3-SIZE		87831		MATERIAL NUMBER	
				SEE TABLE		GENERAL MARKET		CUSTOMER	
								SHEET NUMBER	
								1 OF 2	

REV A5 ORIGINALLY RELEASED BY ECM 170249

BOARD TO BOARD (BTB) DISTANCE

HEADER	MATES WITH (RECEPTACLE)	BTB DIST.	PICTORIAL VIEW
87831	79107	6.94	
	78787	6.94	
	79108	6.94	
	79109	7.15	
	78788	7.15	

THIS DRAWING CONTAINS INFORMATION THAT IS PROPRIETARY TO MOLEX ELECTRONIC TECHNOLOGIES, LLC AND SHOULD NOT BE USED WITHOUT WRITTEN PERMISSION												
DIMENSION UNITS		SCALE		CURRENT REV DESC: ADDED BTB DIST.						molex		
mm		NTS										
GENERAL TOLERANCES (UNLESS SPECIFIED)				EC NO: 619055		2019/05/21		MGRID, SHROUDED HEADER VERTICAL, W/VOID(S)				
				DRWN: HK02		2019/07/09						
				CHK'D: NMANE02		2019/07/09		PRODUCT CUSTOMER DRAWING				
				APPR: MRAMAKRISHNA		2019/07/09						
				INITIAL REVISION:				DOCUMENT NUMBER		DOC TYPE	DOC PART	REVISION
4 PLACES ±				DRWN: DRWN BY		XXXX/XX/XX		SD-87831-018		PSD	001	A6
3 PLACES ±				APPR: APPR BY		XXXX/XX/XX						
2 PLACES ± 0.2				DRAFT WHERE APPLICABLE MUST REMAIN WITHIN DIMENSIONS		THIRD ANGLE PROJECTION		DRAWING		SERIES	MATERIAL NUMBER	CUSTOMER
1 PLACE ±								A3-SIZE		87831	GENERAL MARKET	SHEET NUMBER
0 PLACES ±												2 OF 2
ANGULAR TOL ± 3.0°												