

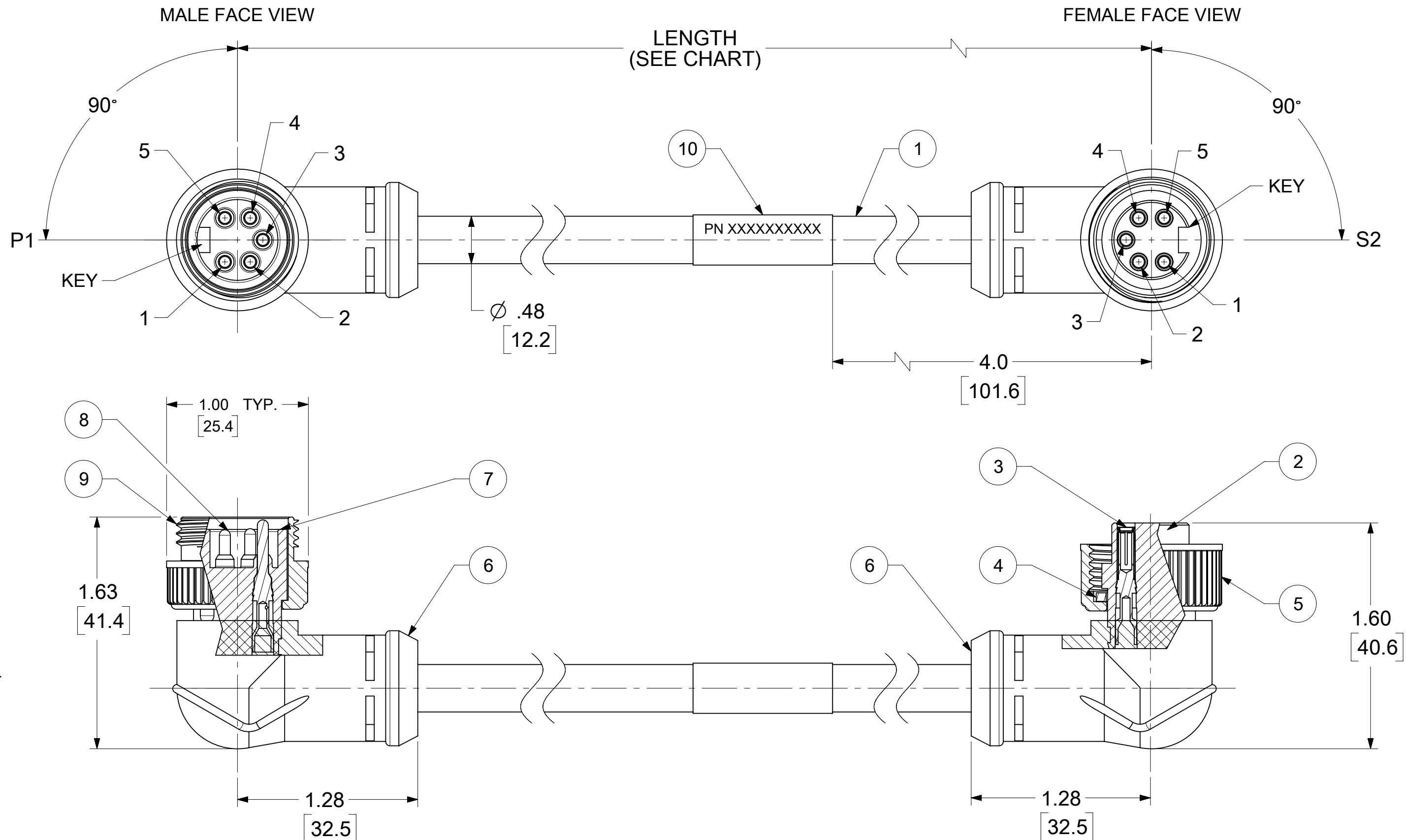
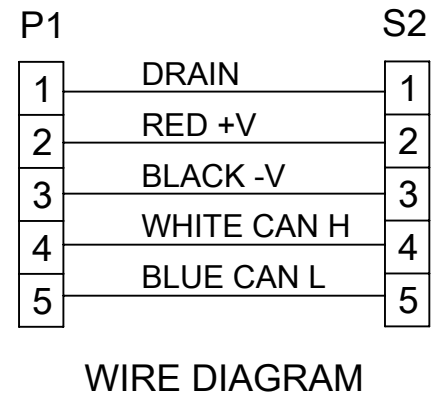
| MATERIAL NO. | ENGINEERING NO. | FINISHED LENGTH |
|--------------|-----------------|-----------------------|
| 1300250196 | DN99A-M006 | 1 FT 11.6 IN [0.6M] |
| 1300250197 | DN99A-M010 | 3 FT 3.3 IN [1.0M] |
| 1300250220 | DN99A-M400 | 131 FT 2.8 IN [40.0M] |
| 1300250223 | DN99A-M750 | 246 FT [75.0M] |

PART NO. LEGEND

DN99A-M010

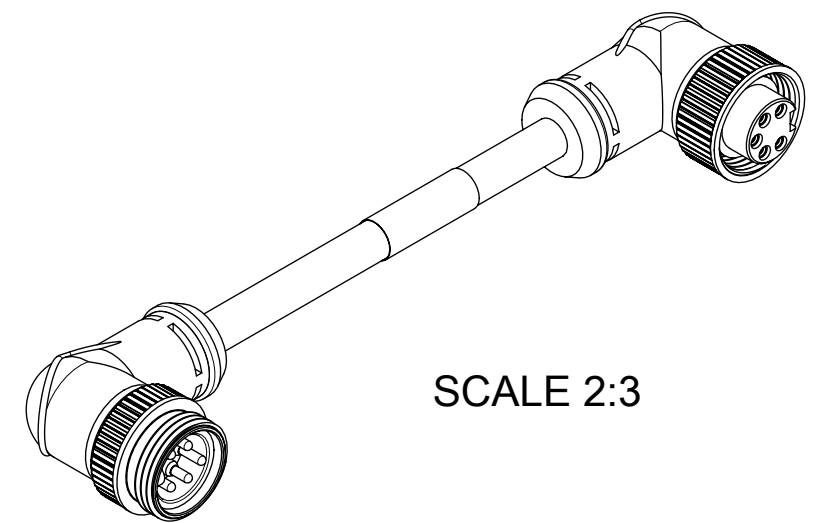
FINISHED LENGTH
M005= 0.5 METER
M010= 1 METER
M100= 10 METER

| CABLE LENGTH TOLERANCES | |
|-------------------------|-------------------------|
| <.3M [1FT] | +19mm-0 [+1.75in-0] |
| .3 - .9M [1 - 3FT] | +44.5mm-0 [+1.75in-0] |
| .9 - 1.8M [3 - 6FT] | +55.6mm-0 [+2.19in-0] |
| 1.8 - 3.7M [6 - 12FT] | +88.9mm-0 [+3.50in-0] |
| 3.7 - 7.3M [12 - 24FT] | +165.1mm-0 [+6.50in-0] |
| 7.3 - 14.6M [24 - 48FT] | +317.5mm-0 [+12.50in-0] |
| 14.6 - 30.5M [48-100FT] | +622.3mm-0 [+24.50in-0] |
| OVER 30M [100FT] | +2% OF FINISHED LENGTH |



- NOTES:**
- MATERIAL: AS NOTED
 - FINISH: AS NOTED
 - ELECTRICAL SPECIFICATIONS
VOLTAGE RATING: 300V PER IEC60664
300V PER UL2238
CURRENT RATING: 4A
 - TEMP RANGE: -20°C TO +80°C
 - COUPLING THREAD: 7/8-16 UN
 - PROTECTION: IP67 (WHEN MATED)
 - UL RECOGNIZED FILE: E152210
CSA CERTIFIED FILE: LR6837
 - ALL DIMENSIONS ARE FOR REFERENCE UNLESS TOLERANCED OR NOTED OTHERWISE

| ITEM | DESCRIPTION | MATERIAL | FINISH |
|------|-----------------------------------|---------------|--------------|
| 10 | LABEL | VINYL | BLACK/YELLOW |
| 9 | COUPLING NUT, MALE | ZINC DIE CAST | BLACK E-COAT |
| 8 | CONTACT PIN | BRASS | GOLD PLATED |
| 7 | INSERT, MALE, 5 POLE | TPE | BLACK |
| 6 | OVERMOLDS | TPE | GRAY |
| 5 | COUPLING NUT, FEMALE | ZINC DIE CAST | BLACK E-COAT |
| 4 | FRICTION RING | NYLON | WHITE |
| 3 | CONTACT SOCKET | BRASS | GOLD PLATED |
| 2 | INSERT, FEMALE, 5 POLE | TPE | BLACK |
| 1 | CABLE, DEV-NET, TRUNK, 18/2, 15/2 | PVC JACKET | GRAY |



| | | | |
|--|---|---------------------------|---|
| FUNCTIONAL SYMBOLS | THIS DRAWING CONTAINS INFORMATION THAT IS PROPRIETARY TO MOLEX ELECTRONIC TECHNOLOGIES, LLC AND SHOULD NOT BE USED WITHOUT WRITTEN PERMISSION | | |
| | DIMENSION UNITS | SCALE | CURRENT REV DESC: INSERT COLOR WAS GRAY |
| | INCH/MM | 1.5:1 | |
| | GENERAL TOLERANCES (UNLESS SPECIFIED) | | |
| DIVISIONAL SYMBOLS | 4 PLACES | ± | EC NO: 702517 |
| | 3 PLACES | ± | DRWN: RSTONE 2022/04/07 |
| | 2 PLACES | ± | CHK'D: MZIELINSKI 2022/04/08 |
| | 1 PLACE | ± | APPR: BWOODMAN 2022/04/12 |
| 0 PLACES | ± | INITIAL REVISION: | |
| ANGULAR TOL | ± ° | DRWN: R. STONE 2009/05/11 | |
| DRAFT WHERE APPLICABLE MUST REMAIN WITHIN DIMENSIONS | THIRD ANGLE PROJECTION | APPR: JFMURPHY 2009/05/15 | |
| DRAWING | | SERIES | DOCUMENT NUMBER |
| C-SIZE | | 130025 | SD-130025-003 |
| MATERIAL NUMBER | | CUSTOMER | DOC TYPE DOC PART REVISION |
| GENERAL MARKET | | | PSD 001 B1 |
| SHEET NUMBER | | 1 OF 1 | |