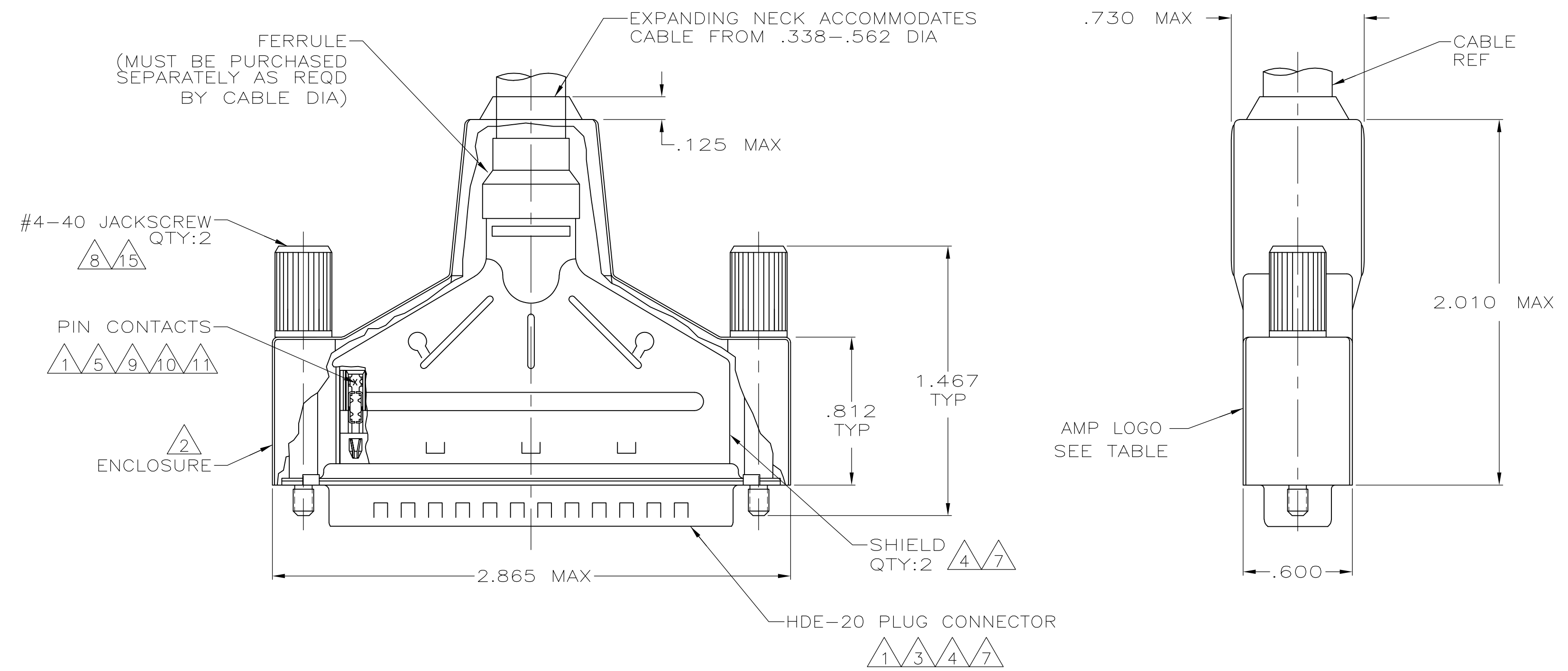


REVISIONS				
P	LTR	DESCRIPTION	DATE	OWN
S		REVISED PER ECO-17-002903	20MAR2017	AP DG



- 1 PLUG CONNECTOR FULLY LOADED WITH CONTACTS. ALL OTHER PARTS ARE SHIPPED UNASSEMBLED. EACH PART INDIVIDUALLY BULK PACKED.
- 2 FLAME RETARDANT 94V-0 RATED, POLYOLEFIN OR PVC, BLACK.
- 3 FLAME RETARDANT 94V-0 RATED, GLASS-FILLED, NYLON OR POLYESTER, BLACK.
- 4 STEEL PER ASTM A109.
- 5 PHOSPHOR BRONZE PER QQ-B-750.
- 6 GOLD PLATING PER MIL-G-45204, NICKEL PLATING PER QQ-N-290, TIN PLATING PER MIL-T-10727, ZINC PLATING PER B633, TYPE II, CLASS SCI, BLACK CHROMATE.
- 7 TIN PLATED.
- 8 BLACK ZINC FLAKE COATING.
- 9 PLATED WITH GOLD FLASH ON MATING END FOR LENGTH OF .150 MIN, .000100-.000200 TIN OR TIN LEAD ON TERMINATION END, ALL OVER .000030 MIN NICKEL ON ENTIRE CONTACT.
- 10 CONTACTS GOLD PLATED FOR A LENGTH OF .150 MIN FROM MATING END, .000030 MIN GOLD IN MATED AREA, .000100-.000200 BRIGHT TIN OR BRIGHT TIN-LEAD IN WIRE TERMINATION AREA, ALL OVER .000050 MIN NICKEL UNDERPLATE ON ENTIRE CONTACT.  
OR  
CONTACTS GOLD PLATED FOR A LENGTH OF .150 MIN FROM MATING END, GOLD FLASH OVER .000030 MIN PALLADIUM-NICKEL IN MATED AREA, .000100-.000200 BRIGHT TIN OR BRIGHT TIN-LEAD IN WIRE TERMINATION AREA, ALL OVER .000050 MIN NICKEL UNDERPLATE ON ENTIRE CONTACT.
- 11 NUMBER ON CONTACT INDICATES WIRE RANGE.
- 12 OBSOLETE PART NUMBER.
- 13 CONTACTS GOLD PLATED FOR A LENGTH OF .150 MIN FROM MATING END, .000030 MIN GOLD IN MATED AREA, .000100-.000200 MATTE TIN IN WIRE TERMINATION AREA, ALL OVER .000050 MIN NICKEL UNDERPLATE ON ENTIRE CONTACT.  
OR  
CONTACTS GOLD PLATED FOR A LENGTH OF .150 MIN FROM MATING END, GOLD FLASH OVER PALLADIUM-NICKEL, .000030 MIN TOTAL IN MATED AREA, .000100-.000200 MATTE TIN IN WIRE TERMINATION AREA, ALL OVER .000050 MIN NICKEL UNDERPLATE ON ENTIRE CONTACT.
- 14 CONTACTS PLATED GOLD FLASH FOR A LENGTH OF .150 MIN FROM MATING END, .000100-.000200 MATTE TIN IN WIRE TERMINATION AREA, ALL OVER .000030 MIN NICKEL UNDERPLATE ON ENTIRE CONTACT.
- 15 CARBON STEEL, C1022.

FINISH	CONTACT RANGE	WIRE RANGE	W/OUT LOGO	W/LOGO	PART NUMBER
12	22-26	-	-	-	1-747950-6
13	22-26	-	-	-	1-747950-5
14	26-30	-	-	-	1-747950-4
9	20-22	1-747950-2	747950-6	747950-6	
	22-26	1-747950-1	747950-5	747950-5	
	26-30	1-747950-0	747950-4	747950-4	
10	20-22	747950-9	747950-3	747950-3	
	22-26	747950-8	747950-2	747950-2	
	26-30	747950-7	747950-1	747950-1	
CONTACT FINISH	14	WIRE RANGE	W/OUT LOGO	W/LOGO	PART NUMBER

THIS DRAWING IS A CONTROLLED DOCUMENT.

DIMENSIONS: INCHES	TOLERANCES UNLESS OTHERWISE SPECIFIED:	DIN 11-17-04	NAME
0. PLC ± -	1. PLC ± -	L. VARELA - DOOKS	TE Connectivity
2. PLC ± -	3. PLC ± .020	J. GRACE	SHIELDING ENCLOSURE KIT, PLUG, SIZE 4, 37 POSN, AMPLIMITE HDE-20
4. PLC ± -	ANGLES ± -	M. WALMSLEY	APPLICATION SPEC
MATERIAL	FINISH	SIZE	CAGE CODE
CONTACTS: SEE TABLE	114-40002	A1	00779
	WEIGHT	0.000000	747950
	CUSTOMER DRAWING	SCALE	2:1
		SHEET	1 OF 1
		REV	S