

4

3

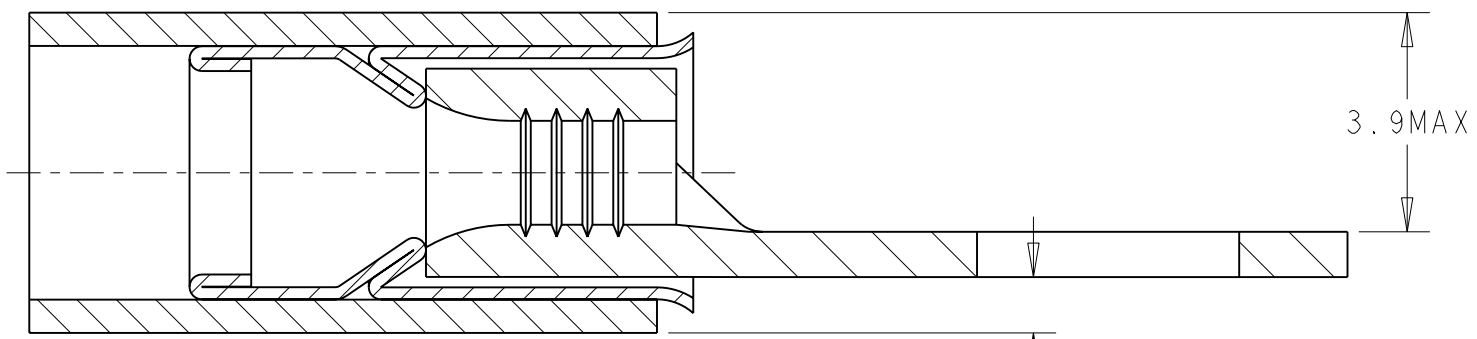
2

1

THIS DRAWING IS UNPUBLISHED. RELEASED FOR PUBLICATION 20
 © COPYRIGHT 20 BY TYCO ELECTRONICS CORPORATION. ALL RIGHTS RESERVED.

LOC	DIST	REVISIONS			
P	LTR	DESCRIPTION	DATE	DWN	APVD
F	00				
	B	6.76 MIN WAS 6.76 MAX	07FEB2007	GR	GR
	C	ECR 07-025006	26OCT2007	JT	GR

COUPE C-C



3.9 MAX

1.3 MAX

BODY 0.80±0.03 TONGUE THICKNESS

Ø 4.34±0.08 FOR #8 OR M4 STUD

FOR INSULATION Ø 1.4 - 2.67

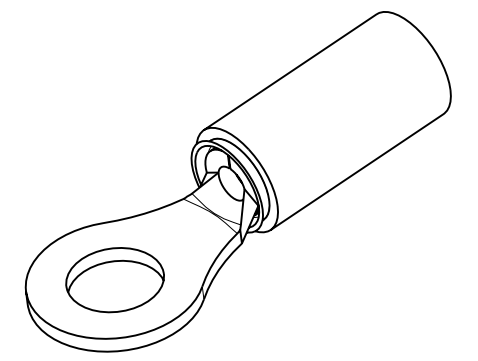
Ø 5.15 MAX

STAMP : AMP 18 16

SLEEVE

INSULATION

SERRATIONS



SCALE 3:1

7.92±0.15

0.79 MIN

6.76 MIN

18.39 MAX

22.43 MAX

WIRE TERMINAL	1577632-1	BODY : COPPER ANNEALED FINISH : NICKEL PLATED
		SLEEVE : COPPER ANNEALED FINISH : NICKEL PLATED
		INSULATION : PEEK COLOR : ORANGE
DESCRIPTION	PART NUMBER	MATERIAL & FINISH

THIS DRAWING IS A CONTROLLED DOCUMENT FOR TYCO ELECTRONICS CORPORATION
 IT IS SUBJECT TO CHANGE AND THE CONTROLLING ENGINEERING ORGANIZATION
 SHOULD BE CONTACTED FOR THE LATEST REVISION.

DIMENSIONS: mm	TOLERANCES UNLESS OTHERWISE SPECIFIED:
	0 PLC ±- 1 PLC ±0.3 2 PLC ±- 3 PLC ±- 4 PLC ±- ANGLES ±5
MATERIAL SEE TABLE	FINISH SEE TABLE

DWN JJ. DESPRETZ 22FEB2006	Tyco Electronics France SAS 95300 Pontoise, France
CHK G. ROBERT 22FEB2006	
APVD Y. PETRONIN 22FEB2006	
PRODUCT SPEC 108-15356	
APPLICATION SPEC 114-15102	NAME TERMINAL, PEEK PIDG STRATO, 18-16 AWG
WEIGHT 0,95 gr	SIZE A3 CAGE CODE 00779 DRAWING NO C-1577632 RESTRICTED TO -
CUSTOMER DRAWING	SCALE 8:1 SHEET 1 OF 1 REV C