

## X 95 Cover Plate

- For blanking off unused faces of Corner Joints or open ends of X 95 profiles
- Supplied with 4 fastening screws
- Black anodized aluminum

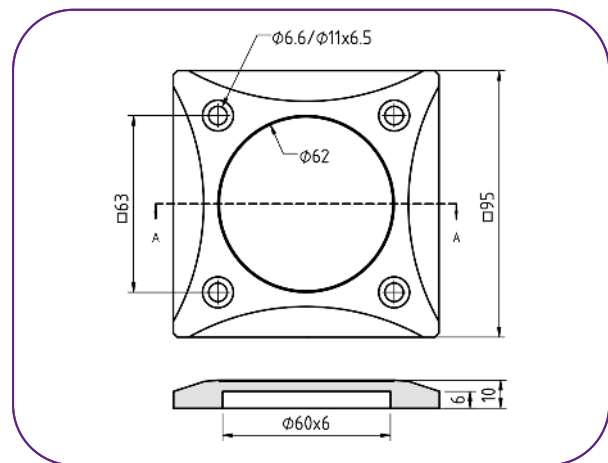


Item Title	Part No.
Cover Plate	G026212000

### Standard Plus

For volume orders have the cover plate engraved with your logo!

16



Application Example: The Cover Plate X 95 closes one end of a Profile X 95.