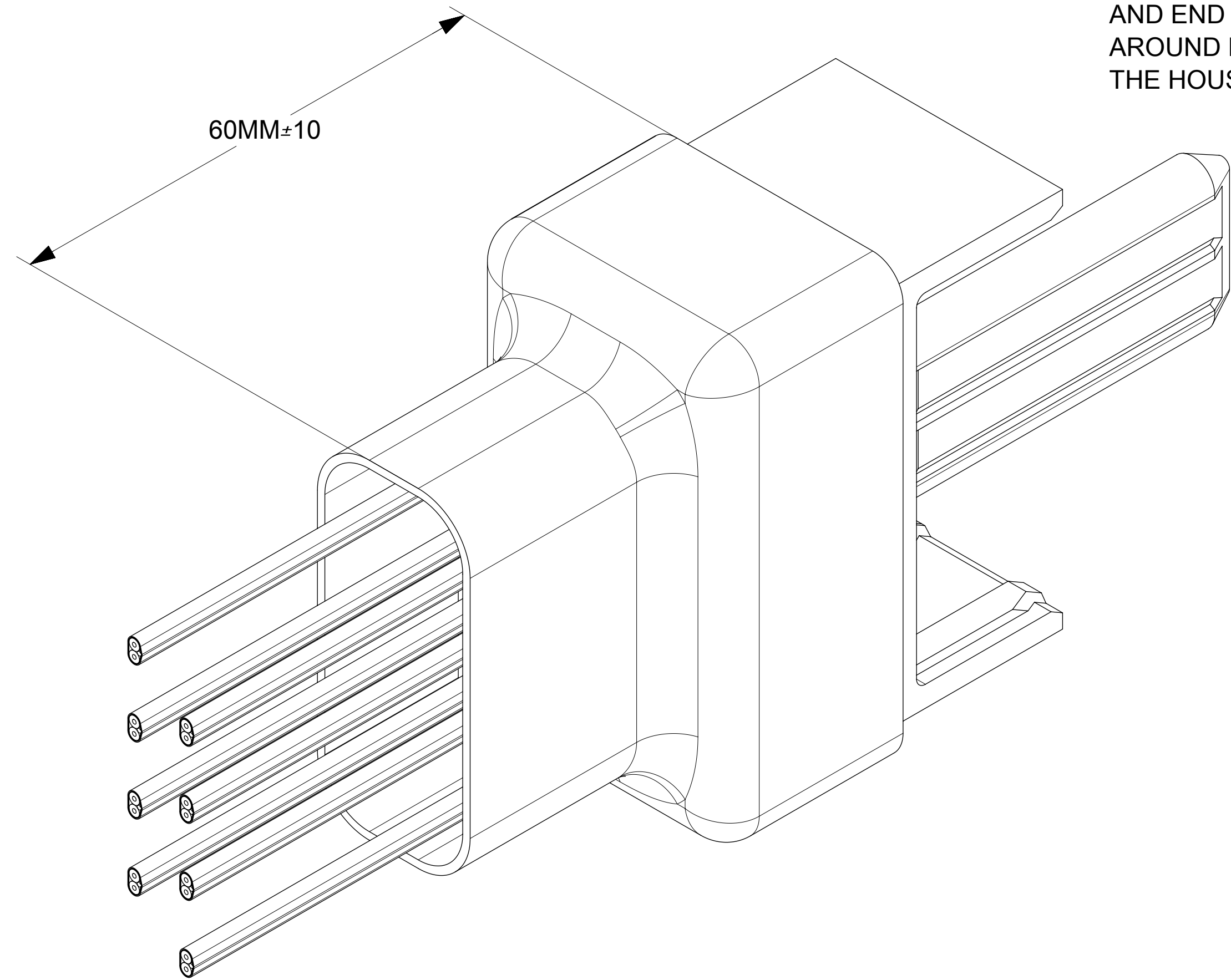
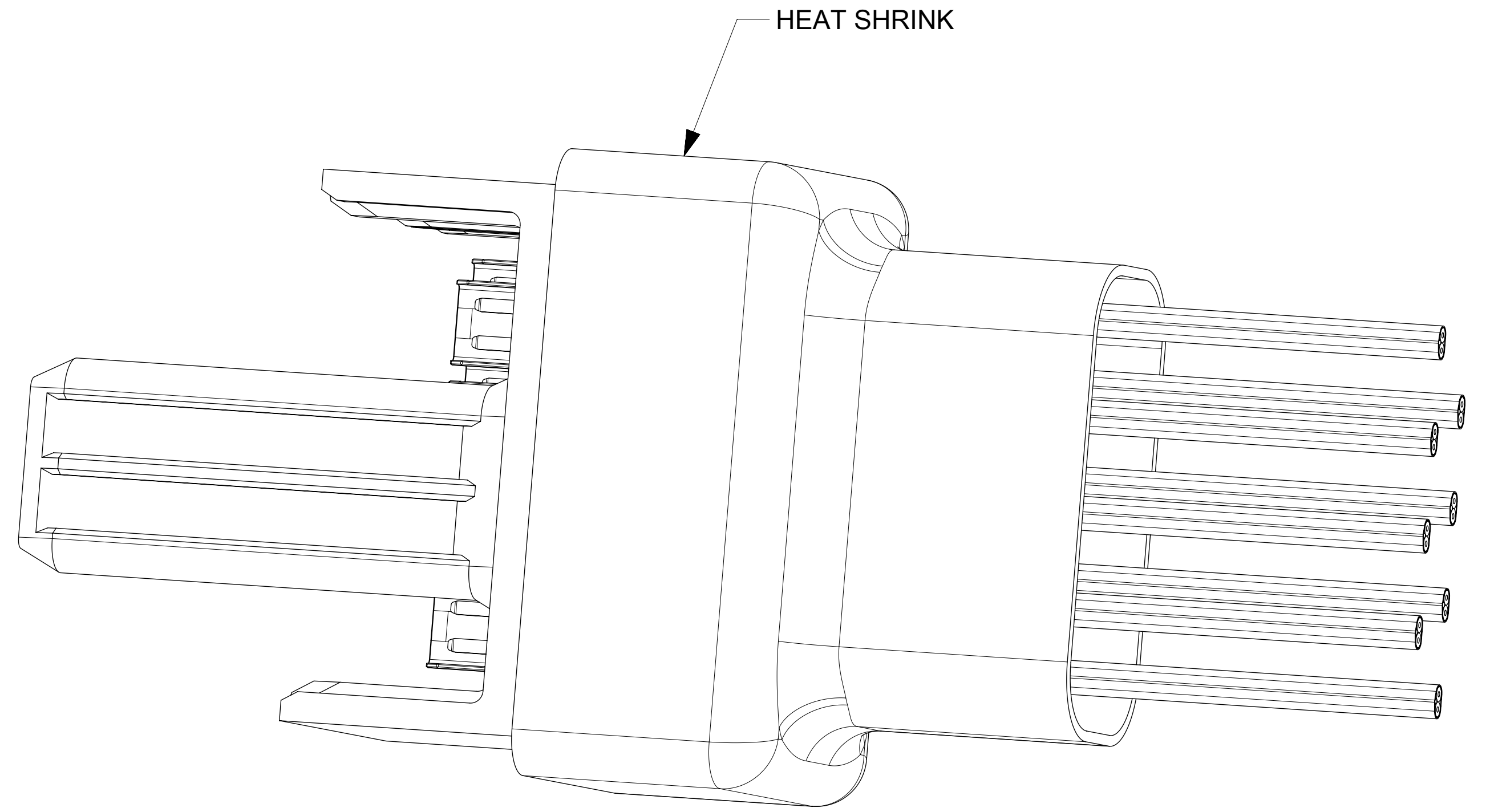


THERE MAY BE SOME GAP BETWEEN BACK OF HOUSING AND END OF HEAT SHRINK AROUND PERIMETER OF THE HOUSING, 3MM MAX. GAP



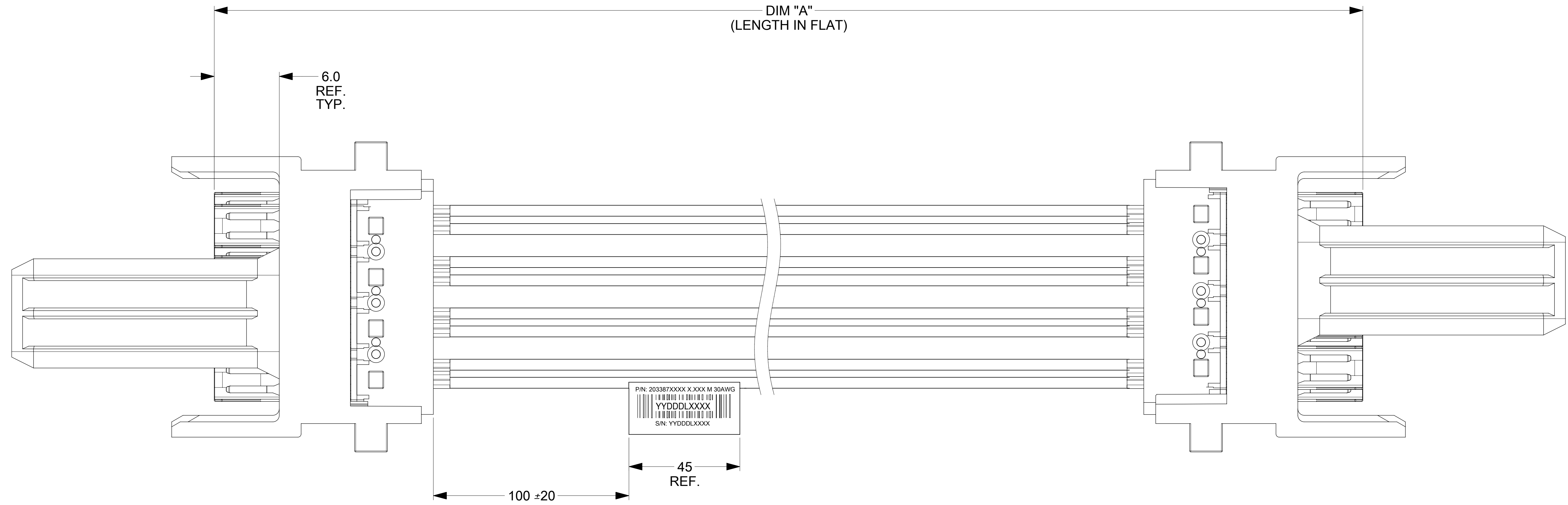
60MM±10



HEAT SHRINK

SYMBOLS	THIS DRAWING CONTAINS INFORMATION THAT IS PROPRIETARY TO MOLEX ELECTRONIC TECHNOLOGIES, LLC AND SHOULD NOT BE USED WITHOUT WRITTEN PERMISSION		
	DIMENSION UNITS	SCALE	CURRENT REV DESC: SEE REVISION TABLE
▽ = 0	mm	6:1	<p>molex</p> <p>IMPEL TEST CABLE ASSY, CROSSOVER</p> <p>PRODUCT CUSTOMER DRAWING</p> <p>DOCUMENT NUMBER: 2033879011 DOC TYPE: PSD DOC PART: 000 REVISION: C</p> <p>MATERIAL NUMBER: SEE SHEET 1 CUSTOMER: GENERAL MARKET SHEET NUMBER: 2 OF 5</p>
▽ = 0	GENERAL TOLERANCES (UNLESS SPECIFIED)		
▽ = 0	ANGULAR TOL ± 0.5°		
▽ = 0	4 PLACES	±	
▽ = 0	3 PLACES	±	
▽ = 0	2 PLACES	± 0.13	
▽ = 0	1 PLACE	± 0.25	
▽ = 0	0 PLACES	±	
☒ = 0	DRAFT WHERE APPLICABLE MUST REMAIN WITHIN DIMENSIONS		<p>EC NO: 617016</p> <p>DRWN: BREVANSIDDAB 2019/02/13</p> <p>CHK'D: KJANOTA 2019/05/28</p> <p>APPR: KJANOTA 2019/05/28</p> <p>INITIAL REVISION:</p> <p>DRWN: NSRIVATSAHS 2017/10/13</p> <p>APPR: CHIRSCHY 2018/06/28</p>
■ = 0	THIRD ANGLE PROJECTION	DRAWING	SERIES
▽ = 0		D-SIZE	203387

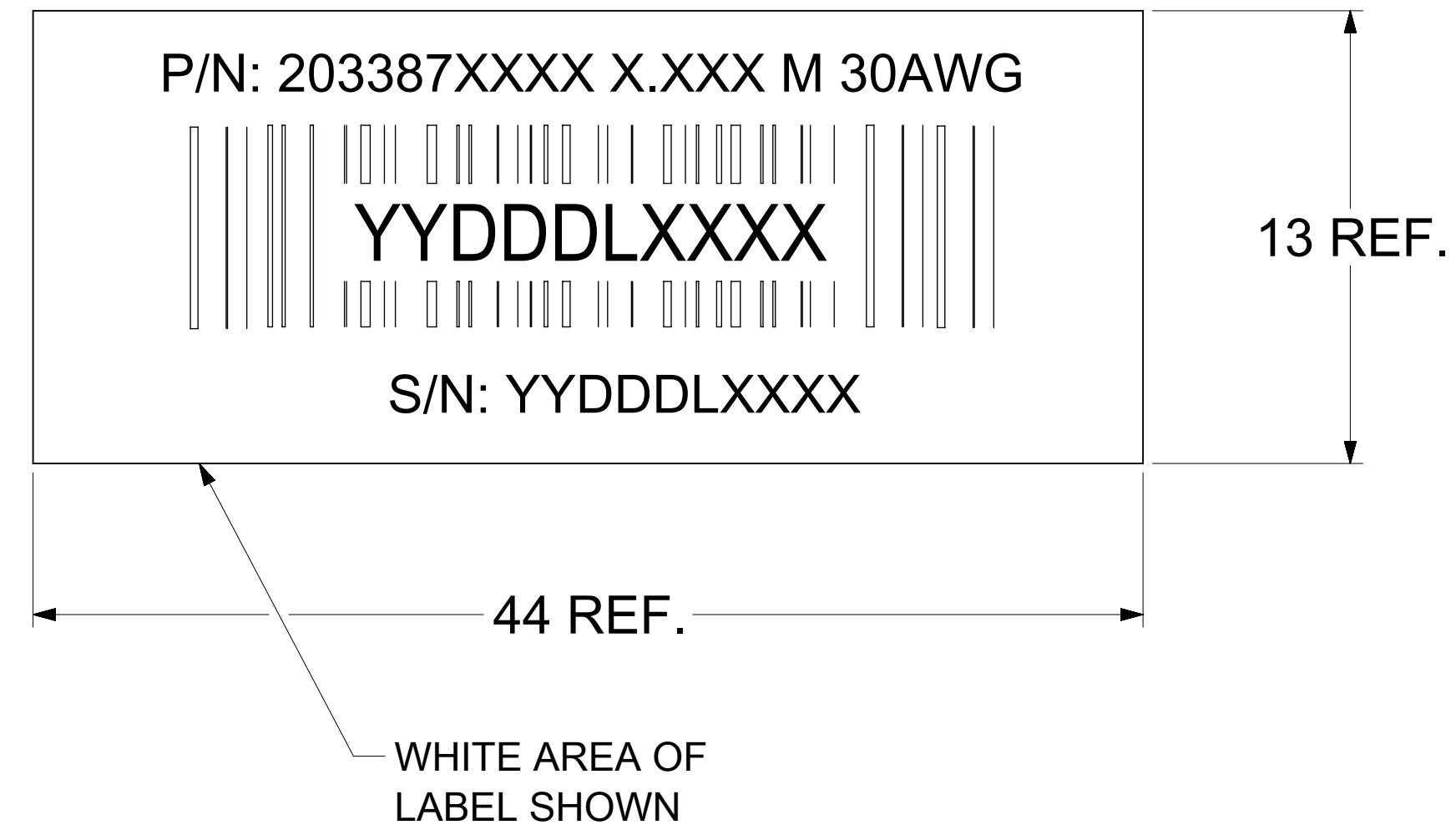
HEATSHRINK NOT SHOWN
IN THIS VIEW



LABEL TO BE WRAPPED AROUND ONE CABLE
LABEL TEXT TO BE:
PART NO. CABLE LENGTH WIRE AWG
BARCODE SERIAL NO.

SYMBOLS	THIS DRAWING CONTAINS INFORMATION THAT IS PROPRIETARY TO MOLEX ELECTRONIC TECHNOLOGIES, LLC AND SHOULD NOT BE USED WITHOUT WRITTEN PERMISSION		
	DIMENSION UNITS	SCALE	CURRENT REV DESC: SEE REVISION TABLE
▽ = 0	mm	1:1	<p>molex</p> <p>IMPEL TEST CABLE ASSY, CROSSOVER</p> <p>PRODUCT CUSTOMER DRAWING</p>
▽ = 0	GENERAL TOLERANCES (UNLESS SPECIFIED)		
▽ = 0	ANGULAR TOL ± 0.5°		
▽ = 0	4 PLACES	±	
▽ = 0	3 PLACES	±	
▽ = 0	2 PLACES	± 0.13	<p>EC NO: 617016</p> <p>DRWN: BREVANSIDDAB 2019/02/13</p> <p>CHK'D: KJANOTA 2019/05/28</p> <p>APPR: KJANOTA 2019/05/28</p>
▽ = 0	1 PLACE	± 0.25	
▽ = 0	0 PLACES	±	<p>INITIAL REVISION:</p> <p>DRWN: NSRIVATSAHS 2017/10/13</p> <p>APPR: CHIRSCHY 2018/06/28</p>
□ = 0	DRAFT WHERE APPLICABLE	THIRD ANGLE PROJECTION	<p>DOCUMENT NUMBER</p> <p>2033879011</p>
■ = 0	MUST REMAIN WITHIN DIMENSIONS	DRAWING	
▽ = 0		D-SIZE	<p>DOC TYPE</p> <p>PSD</p>
		SERIES	<p>DOC PART</p> <p>000</p>
		MATERIAL NUMBER	<p>REVISION</p> <p>C</p>
		CUSTOMER	<p>SEE SHEET 1</p>
		SHEET NUMBER	<p>GENERAL MARKET</p>
			<p>3 OF 5</p>

LABEL DETAILS



YYDDLXXX = SERIAL NO.:

YY = THE LAST TWO DIGITS OF THE YEAR

DDD = THE DAY OF THE YEAR

L = LOCATION:

1 = USA

2 = MEXICO

3 = CHINA

4 = PHILLIPINES

XXXX = SERIES No. (0000~9999)

NOTES:

1. LABEL REQUIREMENT - ARIAL UNICOD MS FONT. FONT HEIGHT AROUND 2MM. GAP BETWEEN TEXT AND BARCODE 1.5MM MAX. BARCODE HEIGHT AROUND 6MM. BARCODE 128 B.

THIS DRAWING CONTAINS INFORMATION THAT IS PROPRIETARY TO MOLEX ELECTRONIC TECHNOLOGIES, LLC AND SHOULD NOT BE USED WITHOUT WRITTEN PERMISSION																					
SYMBOLS	DIMENSION UNITS	SCALE	CURRENT REV DESC: SEE REVISION TABLE																		
▽ = 0	mm	1:1	<div style="text-align: right; font-weight: bold; font-size: 24px; margin-bottom: 10px;">molex</div> IMPEL TEST CABLE ASSY, CROSSOVER PRODUCT CUSTOMER DRAWING <table border="1" style="width: 100%; border-collapse: collapse; font-size: small;"> <tr> <td style="width: 60%;">DOCUMENT NUMBER</td> <td>DOC TYPE</td> <td>DOC PART</td> <td>REVISION</td> </tr> <tr> <td style="text-align: center; font-size: 18px;">2033879011</td> <td style="text-align: center;">PSD</td> <td style="text-align: center;">000</td> <td style="text-align: center;">C</td> </tr> </table>							DOCUMENT NUMBER	DOC TYPE	DOC PART	REVISION	2033879011	PSD	000	C				
DOCUMENT NUMBER	DOC TYPE	DOC PART								REVISION											
2033879011	PSD	000								C											
GENERAL TOLERANCES (UNLESS SPECIFIED)																					
▽ = 0	ANGULAR TOL	± 0.5°																			
▽ = 0	4 PLACES	±																			
▽ = 0	3 PLACES	±																			
▽ = 0	2 PLACES	± 0.13																			
▽ = 0	1 PLACE	± 0.25																			
▽ = 0	0 PLACES	±																			
■ = 0	DRAFT WHERE APPLICABLE MUST REMAIN WITHIN DIMENSIONS		<table border="1" style="width: 100%; border-collapse: collapse; font-size: small;"> <tr> <td style="width: 20%;">THIRD ANGLE PROJECTION</td> <td style="width: 10%;">DRAWING</td> <td style="width: 10%;">SERIES</td> <td style="width: 10%;">MATERIAL NUMBER</td> <td style="width: 10%;">CUSTOMER</td> <td style="width: 10%;">SHEET NUMBER</td> </tr> <tr> <td style="text-align: center;"> D-SIZE </td> <td style="text-align: center;">203387</td> <td style="text-align: center;">203387</td> <td style="text-align: center;">SEE SHEET 1</td> <td style="text-align: center;">GENERAL MARKET</td> <td style="text-align: center;">4 OF 5</td> </tr> </table>							THIRD ANGLE PROJECTION	DRAWING	SERIES	MATERIAL NUMBER	CUSTOMER	SHEET NUMBER	 D-SIZE	203387	203387	SEE SHEET 1	GENERAL MARKET	4 OF 5
THIRD ANGLE PROJECTION	DRAWING	SERIES	MATERIAL NUMBER	CUSTOMER	SHEET NUMBER																
 D-SIZE	203387	203387	SEE SHEET 1	GENERAL MARKET	4 OF 5																

