

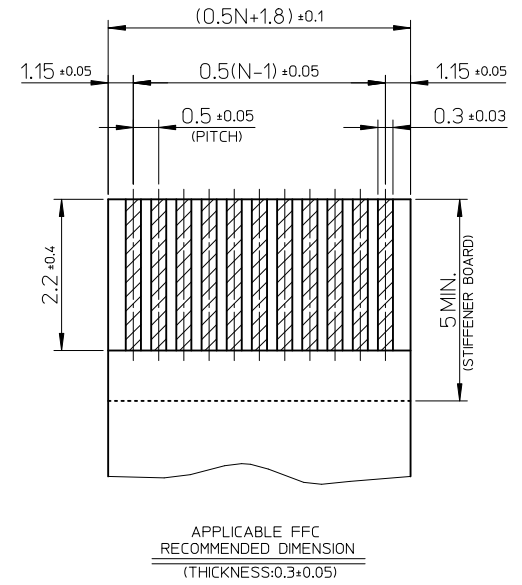
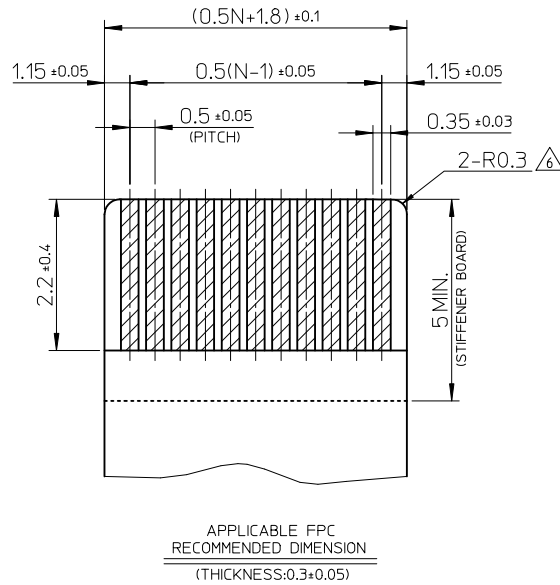
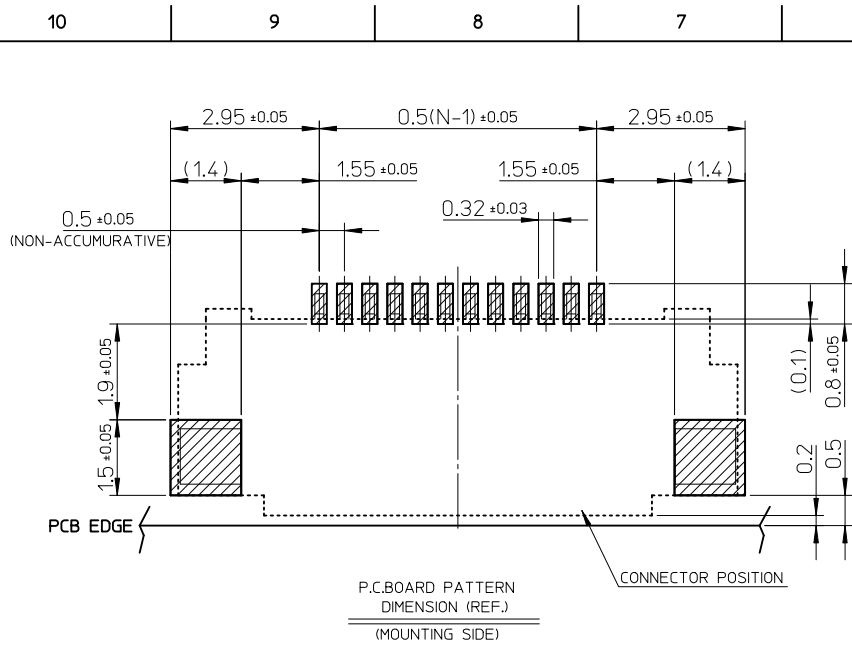
(WHEN ACUTATOR IS OPENED)

104075-6817	68
ORDER NO.	CKT

NEW RELEASED EC NO: KOR2012-0020 DRWN: JHLEE05 2011/11/18 CHKD: KSKIM 2011/11/18 APPR: YUNSIKKIM 2011/11/29	QUALITY SYMBOLS	GENERAL TOLERANCES (UNLESS SPECIFIED) <table border="1"> <thead> <tr> <th></th> <th>mm</th> <th>INCH</th> </tr> </thead> <tbody> <tr> <td>4 PLACES</td> <td>± ---</td> <td>± ---</td> </tr> <tr> <td>3 PLACES</td> <td>± ---</td> <td>± ---</td> </tr> <tr> <td>2 PLACES</td> <td>± 0.2</td> <td>± ---</td> </tr> <tr> <td>1 PLACE</td> <td>± 0.3</td> <td>± ---</td> </tr> </tbody> </table>		mm	INCH	4 PLACES	± ---	± ---	3 PLACES	± ---	± ---	2 PLACES	± 0.2	± ---	1 PLACE	± 0.3	± ---	DIMENSION STYLE	SCALE	DESIGN UNITS	THIRD ANGLE PROJECTION 0.5MM FPC/FFC FRONTFLIP SLIM CNT 680(H=1.5) HOUSING ASS'Y MOLEX INCORPORATED
			mm	INCH																	
	4 PLACES		± ---	± ---																	
	3 PLACES		± ---	± ---																	
	2 PLACES		± 0.2	± ---																	
1 PLACE	± 0.3	± ---																			
	MM ONLY	5:1	METRIC																		
	DRAWN BY	DATE	TITLE																		
	JHLEE05	2011/11/18																			
	CHECKED BY	DATE																			
	KSKIM	2011/11/18																			
	APPROVED BY	DATE																			
	YUNSIKKIM	2011/11/29																			
	MATERIAL NO.		DOCUMENT NO.																		
			SD-104075-001																		
			SHEET NO.																		
			1 OF 3																		

DRAFT WHERE APPLICABLE MUST REMAIN WITHIN DIMENSIONS

SIZE A3 THIS DRAWING CONTAINS INFORMATION THAT IS PROPRIETARY TO MOLEX INCORPORATED AND SHOULD NOT BE USED WITHOUT WRITTEN PERMISSION



NOTES

1. MATERIAL

HOUSING LCP GLASS FILLED,UL94V-0(NATURAL)
 ACTUATOR PPS GLASS FILLED, UL94V-0(BLACK)
 (CHLORINE CONTROLLED MATERIAL)
 TERMINAL PHOSPHOR BRONZE
 FITTING NAIL PHOSPHOR BRONZE

2. PLATING

TERMINAL : SELECTIVE GOLD[Au] OVER NICKEL[Ni] PLATING.
 CONTACT AREA : GOLD[Au] 0.1 MICROMETER MIN. OVER
 NICKEL[Ni] 1.0 MICROMETER MIN.(UNDER PLATING)
 SOLDER AREA : GOLD[Au] 0.05 MICROMETER MIN. OVER
 NICKEL[Ni] 1.0 MICROMETER MIN.(UNDER PLATING)
 FITTING NAIL : TIN[Sn] OVER NICKEL[Ni] PLATING.
 Tin[Sn] 1~3 MICROMETER.
 NICKEL[Ni] 1~3 MICROMETER (UNDER PLATING)

3. PRODUCT SPECIFICATION : PS-104075-001

PACKING SPECIFICATION : PK-104075-001

4. ACTUATOR IS CLOSED IN THE EMBOSSED PACKING

5. FITTING NAIL FOR PREVENTION OF PEELING OF PCB PATTERN.

△ R0.3 MUST NOT BE OVERLAPPED TO PATTERN OF FPC.

7. N : CIRCUIT.

8. COPLANARITY IS 0.10MAX.

ABOUT FPC/FFC

RECOMMENDED PUNCHER DIRECTION : FROM CONDUCTOR SIDE TO STIFFENER FILM SIDE.
 RECOMMENDED CONDUCTOR THICKNESS OF SOFT COPPER FOIL : 35 μm OR 50 μm.

ABOUT FPC

RECOMMENDED MATERIAL/THICKNESS.
 STIFFENER FILM : POLYIMIDE
 BONDING AGENT : THERMOSETTING BONDING AGENT
 BASE FILM THICKNESS : 25 μm

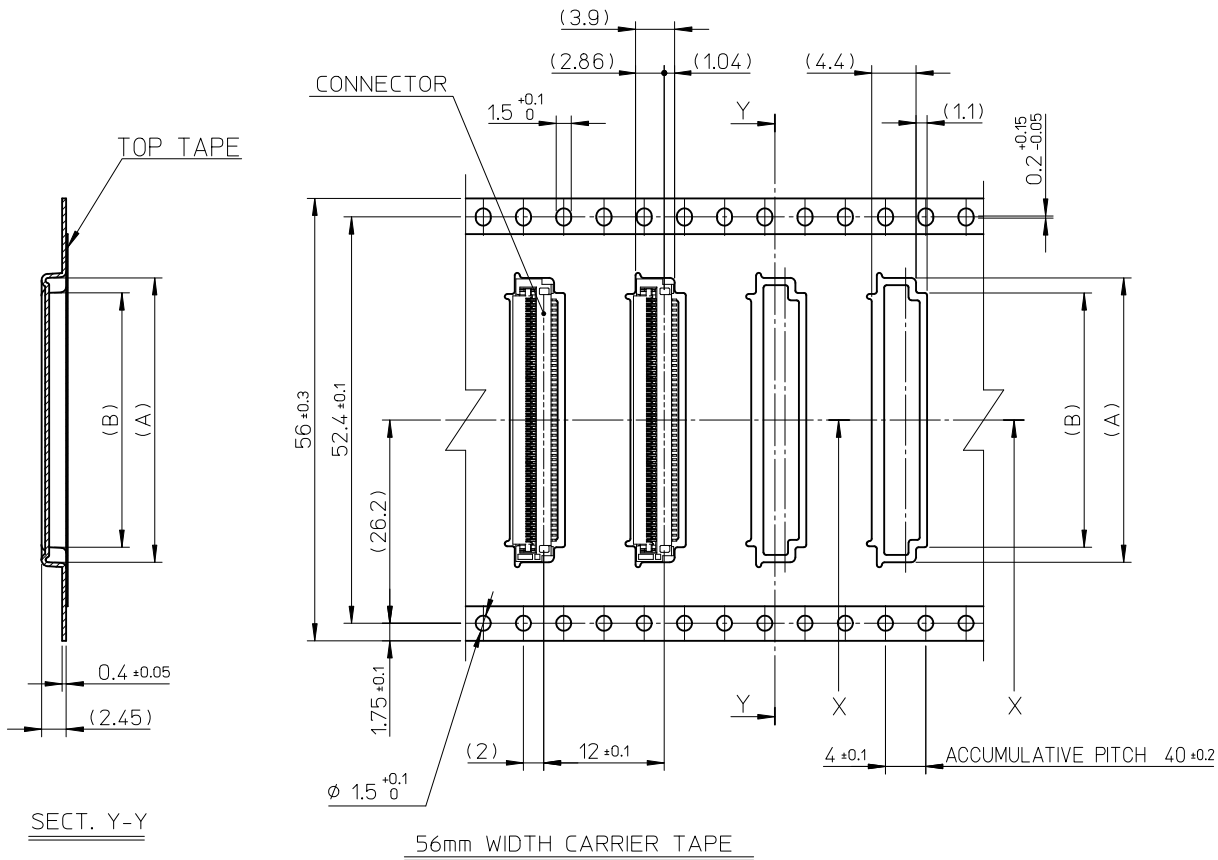
PLEASE PUT APPROPRIATE AMOUNT OF ADHESIVE ON THE CONTACT AREA BECAUSE THE EXTRA ADHESIVE MAY CAUSE THE DEFECT IN ELECTRICAL CONTINUITY.

ABOUT METAL MASK

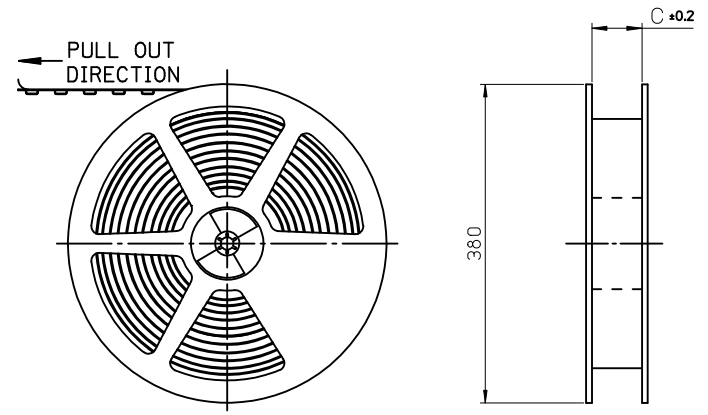
RECOMMENDED METAL MASK THICKNESS : 0.12μ
 RECOMMENDED METAL MASK OPEN RATIO : OVER 100%

NEW RELEASED EC NO: KOR2012-0020 DRWN: JHLEE05 2011/11/18 CHKD: KSKIM 2011/11/18 APPR: YUNSIKKIM 2011/11/29	QUALITY SYMBOLS ▽=0 ◻=0	GENERAL TOLERANCES (UNLESS SPECIFIED)		DIMENSION STYLE	SCALE	DESIGN UNITS	THIRD ANGLE PROJECTION	
				MM ONLY	10:1	METRIC		
			mm	INCH	DRAWN BY	DATE	TITLE	
		4 PLACES	± ---	± ---	JHLEE05	2011/11/18	0.5MM FPC/FFC FRONTFLIP SLIM CNT 680(H=1.5) HOUSING ASS'Y	
3 PLACES	± ---	± ---	CHECKED BY	DATE				
2 PLACES	± 0.2	± ---	KSKIM	2011/11/18	MOLEX INCORPORATED			
1 PLACE	± 0.3	± ---	APPROVED BY	DATE				
ANGULAR ± 1 °		DRAFT WHERE APPLICABLE MUST REMAIN WITHIN DIMENSIONS		YUNSIKKIM	2011/11/29	DOCUMENT NO.	SHEET NO.	
				MATERIAL NO.	1040756817		SD-104075-001	
				SIZE	THIS DRAWING CONTAINS INFORMATION THAT IS PROPRIETARY TO MOLEX INCORPORATED AND SHOULD NOT BE USED WITHOUT WRITTEN PERMISSION			
				A3				

PULL OUT DIRECTION

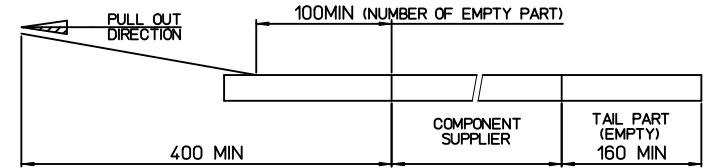


PULL OUT DIRECTION

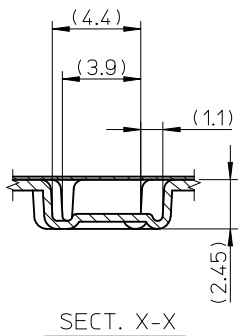


NOTES

1. QUANTITY OF CONNECTORS : 3000PCS/REEL
2. LEAD LENGTH



3. THIS PRODUCT IS HALOGEN FREE (LV.2)



56	57.5	36.29	39.3	104075-6817	68
CARRIER TAPE WIDTH	C	(B)	(A)	ORDER No.	Ckt

<p>NEW RELEASED EC NO: KOR2012-0020 DRWN: JHLEE05 2011/11/18 CHKD: KSKIM 2011/11/18 APPR: YUNSIKKIM 2011/11/29</p>	<p>QUALITY SYMBOLS ▽=0 ◻=0</p>	<p>GENERAL TOLERANCES (UNLESS SPECIFIED)</p>		<p>DIMENSION STYLE MM ONLY</p>		<p>SCALE 5:1</p>		<p>DESIGN UNITS METRIC</p>		<p>THIRD ANGLE PROJECTION</p>																															
		<table border="1"> <tr> <th></th> <th>mm</th> <th>INCH</th> </tr> <tr> <td>4 PLACES</td> <td>± ---</td> <td>± ---</td> </tr> <tr> <td>3 PLACES</td> <td>± ---</td> <td>± ---</td> </tr> <tr> <td>2 PLACES</td> <td>± 0.2</td> <td>± ---</td> </tr> <tr> <td>1 PLACE</td> <td>± 0.3</td> <td>± ---</td> </tr> </table>			mm	INCH	4 PLACES	± ---	± ---	3 PLACES	± ---	± ---	2 PLACES	± 0.2	± ---	1 PLACE	± 0.3	± ---	<table border="1"> <tr> <th>DRAWN BY</th> <th>DATE</th> <th>TITLE</th> </tr> <tr> <td>JHLEE05</td> <td>2011/11/18</td> <td rowspan="4">0.5MM FPC/FFC FRONTFLIP SLIM CNT 680(H=1.5) HOUSING ASS'Y</td> </tr> <tr> <th>CHECKED BY</th> <th>DATE</th> </tr> <tr> <td>KSKIM</td> <td>2011/11/18</td> </tr> <tr> <th>APPROVED BY</th> <th>DATE</th> </tr> <tr> <td>YUNSIKKIM</td> <td>2011/11/29</td> <td> MOLEX INCORPORATED </td> </tr> </table>		DRAWN BY	DATE	TITLE	JHLEE05	2011/11/18	0.5MM FPC/FFC FRONTFLIP SLIM CNT 680(H=1.5) HOUSING ASS'Y	CHECKED BY	DATE	KSKIM	2011/11/18	APPROVED BY	DATE	YUNSIKKIM	2011/11/29	MOLEX INCORPORATED	<p>MATERIAL NO.</p>		<p>DOCUMENT NO.</p>		<p>SHEET NO.</p>	
			mm	INCH																																					
		4 PLACES	± ---	± ---																																					
3 PLACES	± ---	± ---																																							
2 PLACES	± 0.2	± ---																																							
1 PLACE	± 0.3	± ---																																							
DRAWN BY	DATE	TITLE																																							
JHLEE05	2011/11/18	0.5MM FPC/FFC FRONTFLIP SLIM CNT 680(H=1.5) HOUSING ASS'Y																																							
CHECKED BY	DATE																																								
KSKIM	2011/11/18																																								
APPROVED BY	DATE																																								
YUNSIKKIM	2011/11/29	MOLEX INCORPORATED																																							
<p>DRAFT WHERE APPLICABLE MUST REMAIN WITHIN DIMENSIONS</p>		<p>SEE TABLE</p>		<p>SD-104075-001</p>		<p>3 OF 3</p>																																			