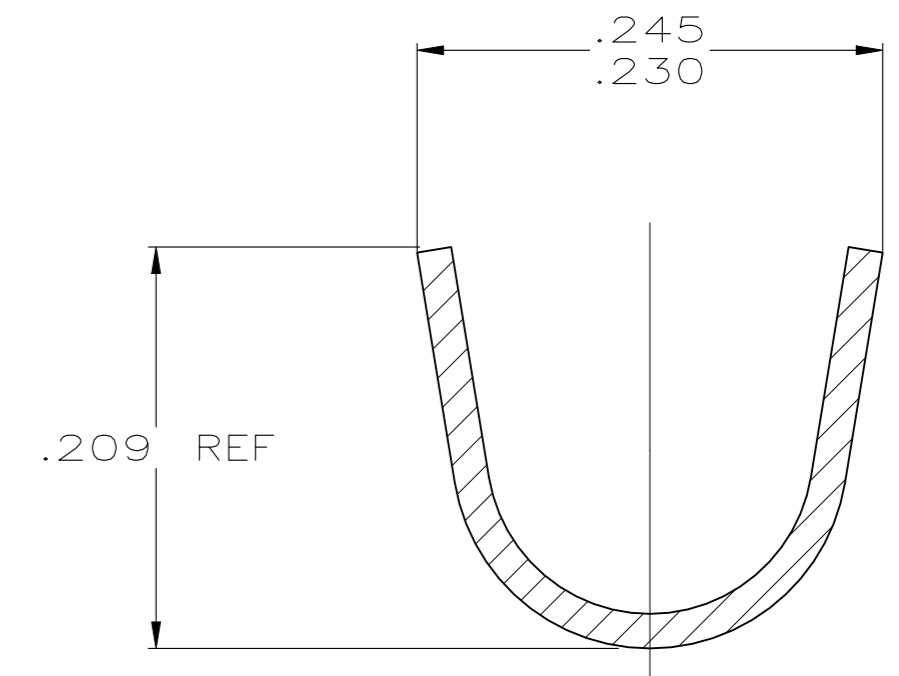
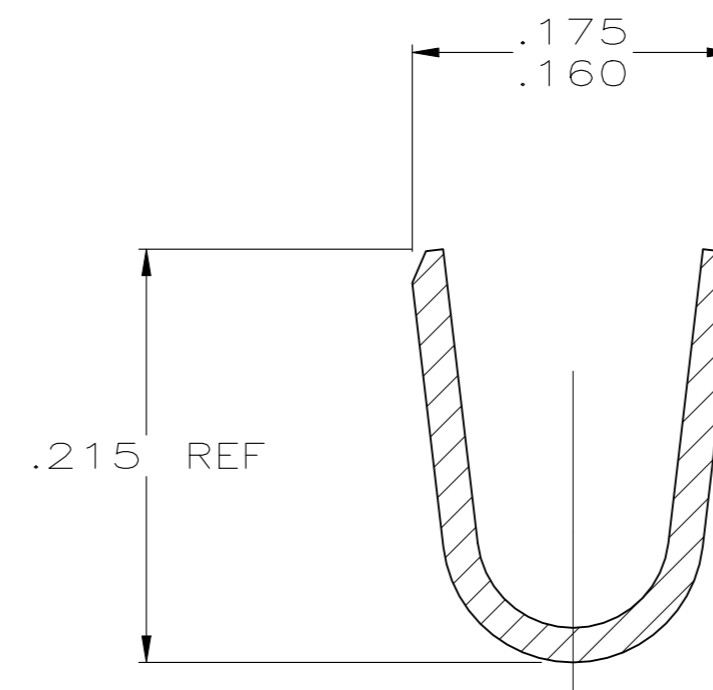
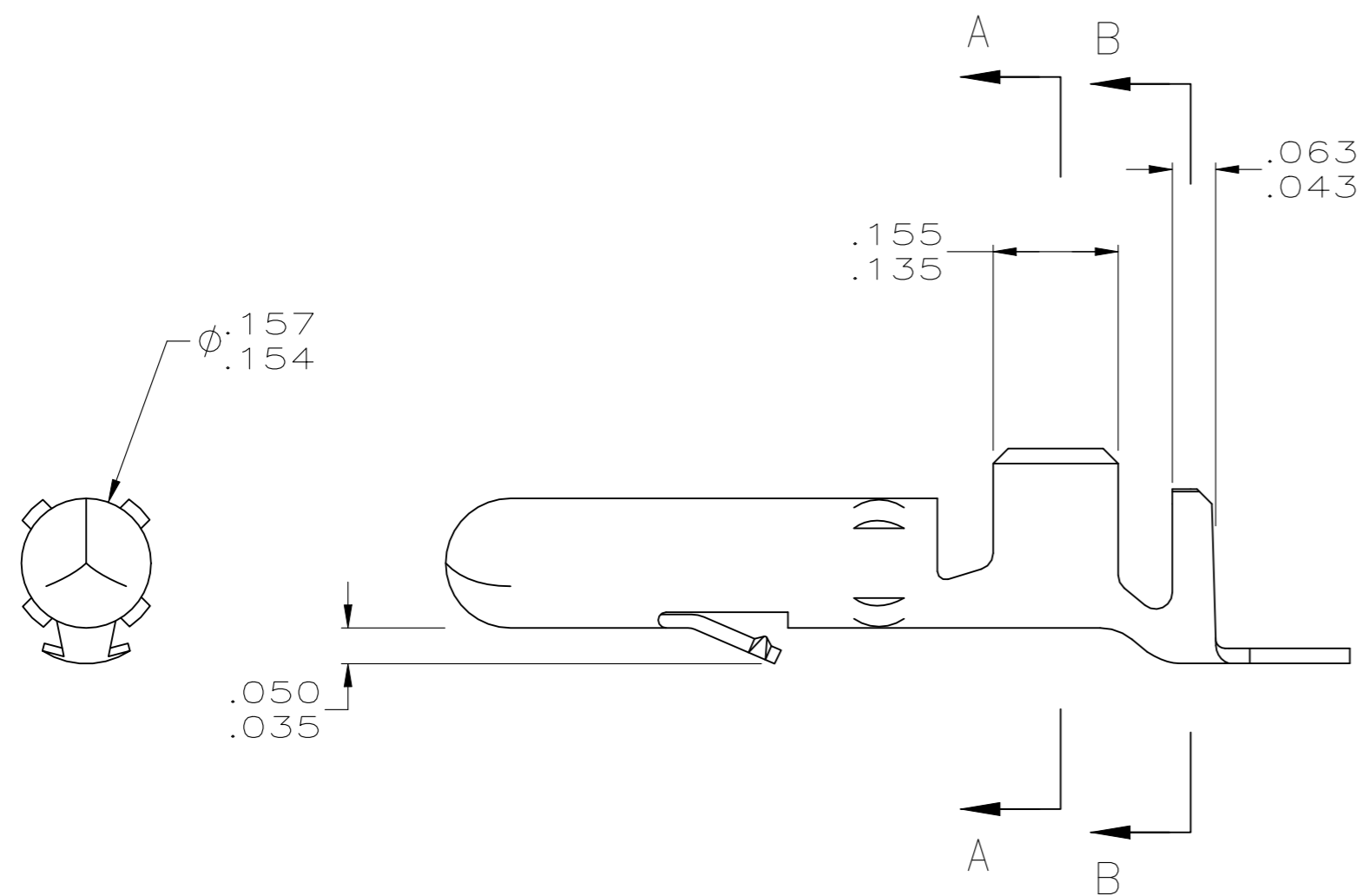
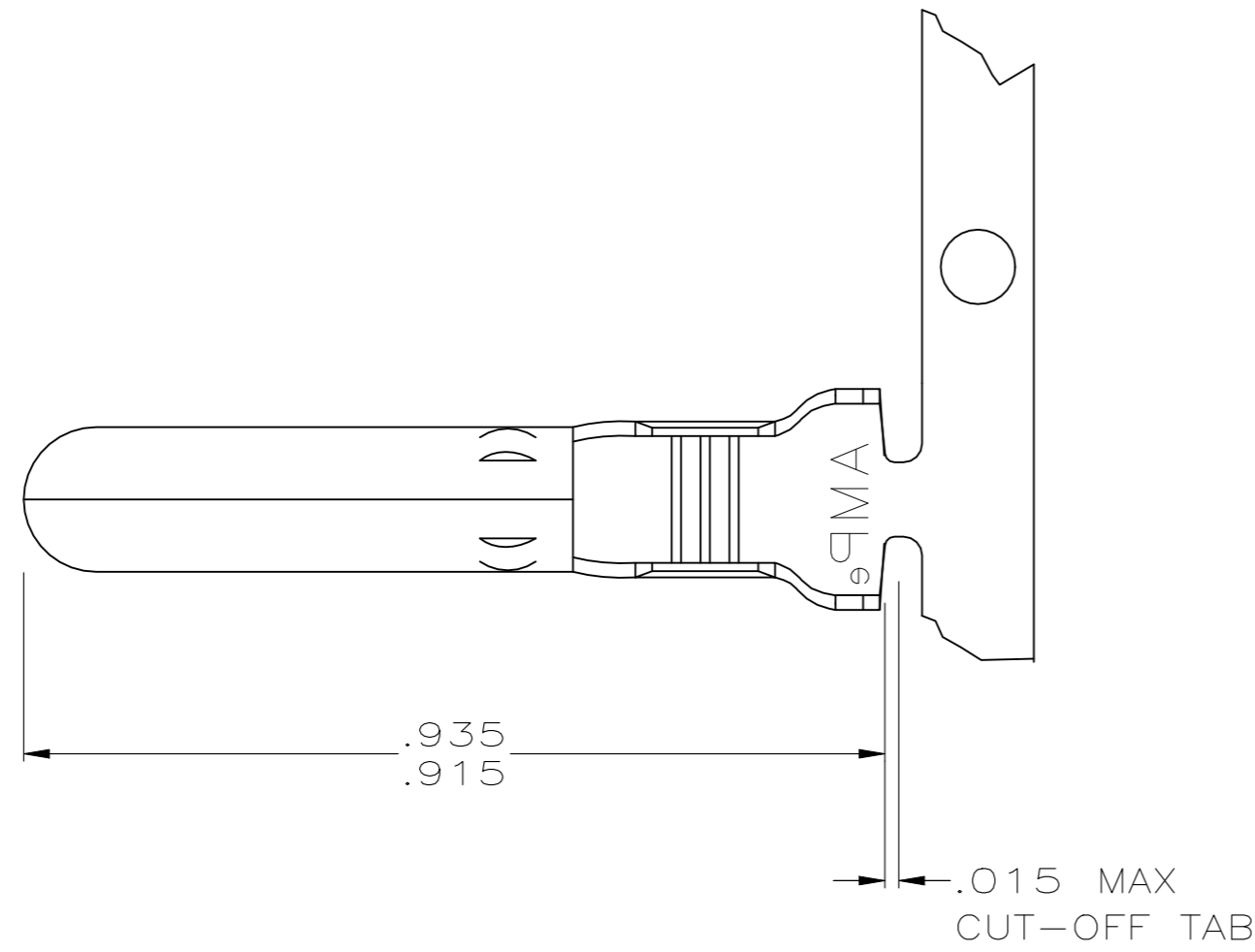


REVISIONS					
P	LTR	DESCRIPTION	DATE	DWN	APVD
A1		REVISED PER ECR-21-124036	10JAN2022	SS	VS

1. WIRE RANGE: 12-10 (3-6mm²) AWG
INSULATION RANGE: .185 MAX.



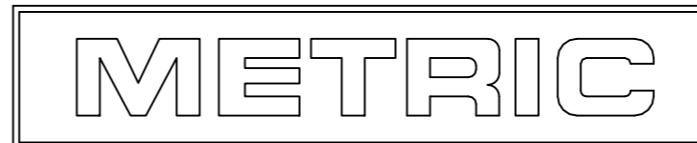
SECTION A-A
SCALE 10:1

SECTION B-B
SCALE 10:1

TIN	.018 COPPER ALLOY	1586487-1
FINISH	MATERIAL	PART NO

.050	1.27	.157	3.99	.230	5.84		
.043	1.09	.156	3.96	.215	5.46		
.035	0.89	.155	3.94	.209	5.31		
.018	0.46	.154	3.91	.185	4.70	.935	23.75
.015	0.38	.135	3.43	.175	4.45	.915	23.24
.005	0.13	.063	1.60	.160	4.06	.245	6.22
IN	MM	IN	MM	IN	MM	IN	MM

CONVERSION TABLE



THIS DRAWING IS A CONTROLLED DOCUMENT.		DWN K. WHITAKER 25OCT2005																		
DIMENSIONS: INCHES		CHK D. COLEY 25OCT2005																		
TOLERANCES UNLESS OTHERWISE SPECIFIED:		APVD D. COLEY 25OCT2005																		
<table border="1"> <tr><td>0 PLC</td><td>±</td><td>-</td></tr> <tr><td>1 PLC</td><td>±</td><td>-</td></tr> <tr><td>2 PLC</td><td>±</td><td>-</td></tr> <tr><td>3 PLC</td><td>±</td><td>.005</td></tr> <tr><td>4 PLC</td><td>±</td><td>-</td></tr> <tr><td>ANGLES</td><td>±</td><td>-</td></tr> </table>		0 PLC		±	-	1 PLC	±	-	2 PLC	±	-	3 PLC	±	.005	4 PLC	±	-	ANGLES	±	-
0 PLC	±	-																		
1 PLC	±	-																		
2 PLC	±	-																		
3 PLC	±	.005																		
4 PLC	±	-																		
ANGLES	±	-																		
MATERIAL SEE TABLE	FINISH SEE TABLE	APPLICATION SPEC -	PRODUCT SPEC -																	
CUSTOMER DRAWING		WEIGHT 0.000000	SIZE A2																	
		CAGE CODE 00779	DRAWING NO C=1586487																	
		SCALE 5:1	SHEET 1 of 1																	
		REV A1	RESTRICTED TO -																	