

Ratings

Voltage: 300 V
 Temperature: -40~105 °C
 Flammability: VW-1

Conductor

Conductor count: 2
 Gauge: 32 AWG 0.04 mm²
 Material: tinned copper strands
 Strand size: $\varnothing 0.08 \times 7$
 Resistance at 20 °C: 590 Ω /km max

Insulator

Material: FEP
 Color: red, black
 Diameter: $\varnothing 0.55 \pm 0.10$
 Nominal thickness: 0.13 mm
 Resistance at 20 °C: 10 M Ω /km min

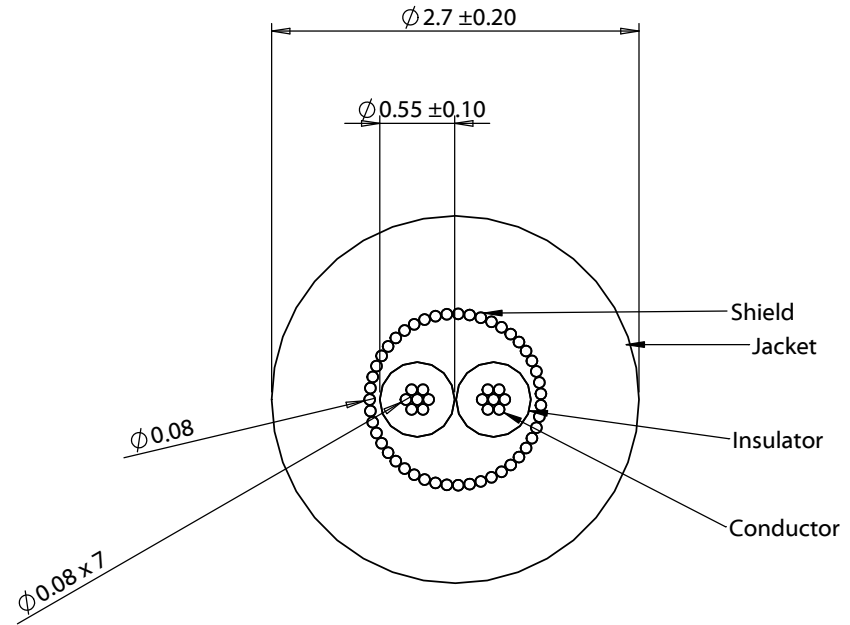
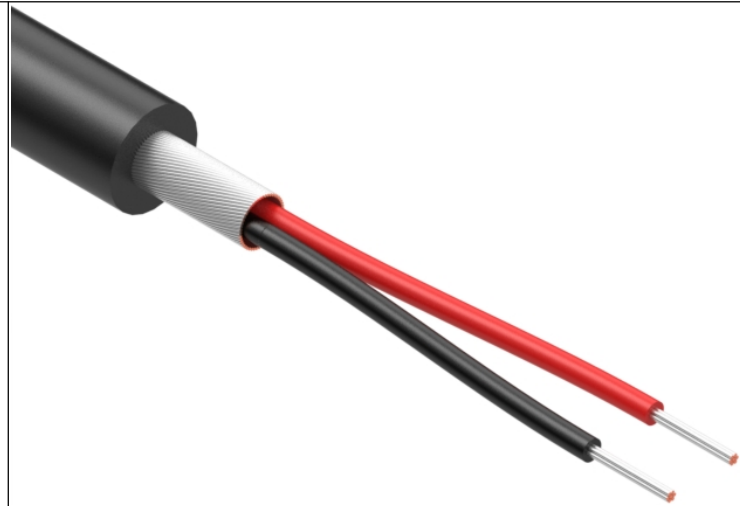
Shield

Material: tinned copper strands
 Strand size: $\varnothing 0.08$ mm, 85% min coverage

Outer jacket

Material: TPE, 78A
 Color: black, matte
 Diameter: $\varnothing 2.7 \pm 0.20$
 Nominal thickness: 0.6 mm

Wire marking: E339579 UL AWM STYLE 21296 32 AWG 105°C
 300V VW-1 --- cUL AWM I A 105°C 300V FT1 TENSILITY DGT



Revision:	Date:	Description:	Prepared:	Notes:	<h1>TENSILITY</h1> tel 1.541.323.3228 800 877.670.7118 fax 1.541.323.4202 web tensility.com	
A	10/26/2021	Initial release	MP <small>Digitally signed by MP Date: 2021.11.01 12:32:17 -07'00'</small>			RoHS compliant Phthalate free Function test: no open, no short circuit, no intermittent
			Verified:	Description:	Size:	
			JD <small>Digitally signed by JD Date: 2021.11.03 12:32:17 -07'00'</small>		Wire, 2C TS, 32 AWG, UL 21296, 300V, 105C, 2.7 mm, shielded, VW-1, TPE	Part number:
			Dimensions are in millimeters. Tolerances: X: ± 0.5 mm X.X: ± 0.3 mm X.XX: ± 0.05 mm		A	30-02417
					Scale: 18:1	Sheet 1 of 1

5

4

3

2

1