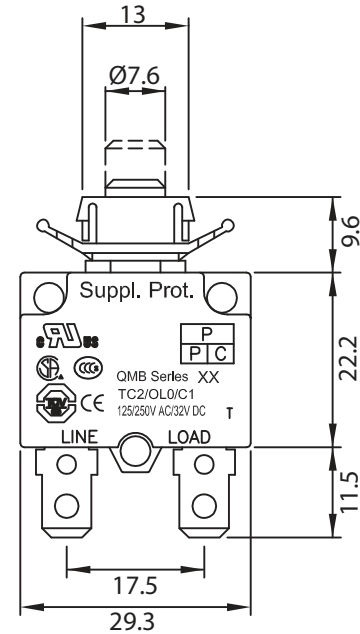
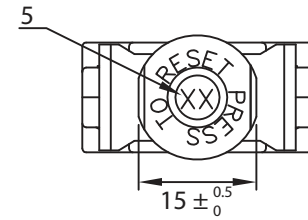
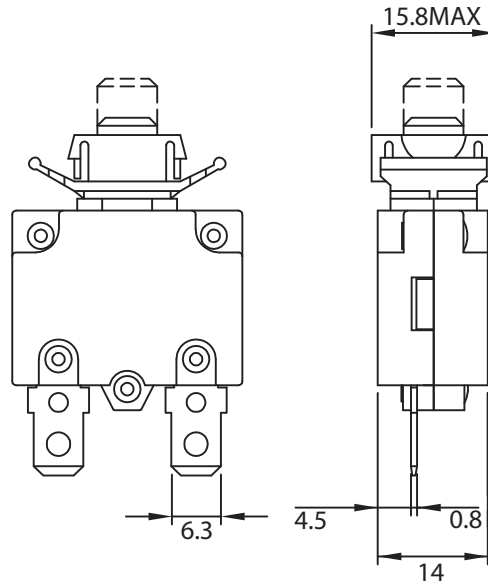
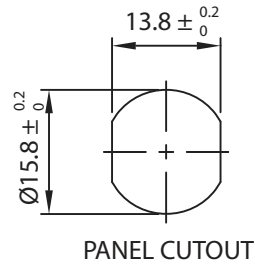


THESE DRAWINGS ARE THE PROPERTY OF QUALTEK ELECTRONICS AND NOT TO BE REPRODUCED FOR OR COMMUNICATED TO A THIRD PARTY WITHOUT THE EXPRESS WRITTEN PERMISSION OF AN OFFICER OF QUALTEK ELECTRONICS.


REVISION			
REV.	DESCRIPTION	DATE	APPROVED



**CONTROLLED**

NOTES:

RATING: 5A 125/250V AC/32V DC  
 PANEL THICKNESS: 0.8mm~2.5mm  
 BUTTON COLOR: BLACK  
 BUTTON PRINT COLOR: WHITE  
 APPROVALS: UL, cUL, TUV, CCC, CE, CSA  
 RoHS COMPLIANT

Dim range (mm)	Tolerance +/- (mm)	Qualtek Electronics Corp. PPC DIVISION											
		Part Number: QMB-053-00ENN-3BA 		Description: CIRCUIT BREAKER									
0-1	0.15	<table border="1"> <tr> <td> </td> <td>UNIT: mm</td> <td> </td> </tr> <tr> <td>Drawn / Date</td> <td>Checked / Date</td> <td>Approved / Date</td> </tr> <tr> <td>R.Nuti 06-04-14</td> <td>06-04-15</td> <td>LY / 06-04-15</td> </tr> </table>				UNIT: mm		Drawn / Date	Checked / Date	Approved / Date	R.Nuti 06-04-14	06-04-15	LY / 06-04-15
	UNIT: mm												
Drawn / Date	Checked / Date				Approved / Date								
R.Nuti 06-04-14	06-04-15				LY / 06-04-15								
1-6	0.20												
6-18	0.30												
18-50	0.50												
50-120	0.70												
120-250	0.90												
250-500	1.20												