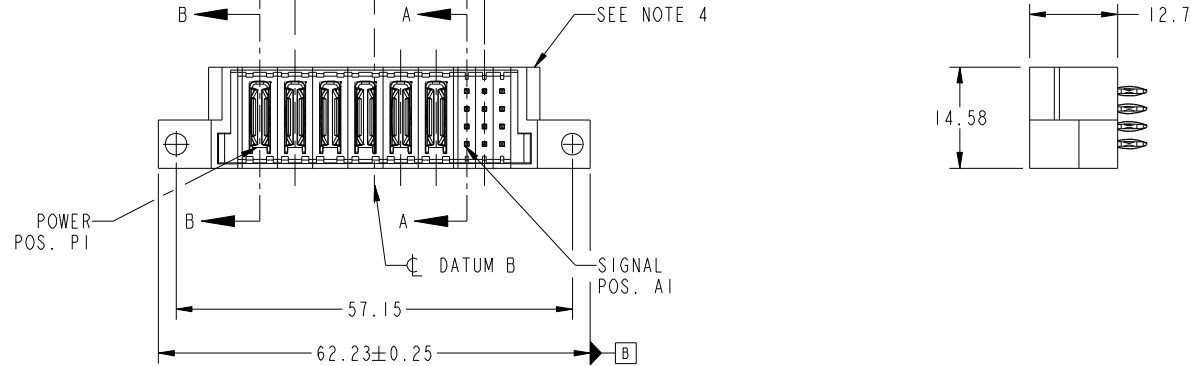
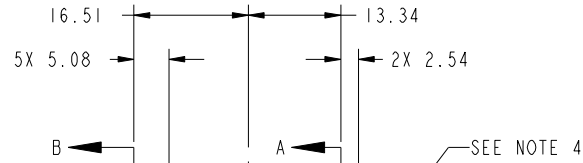
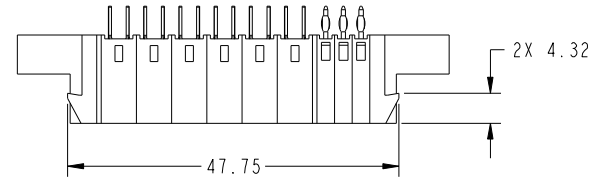


Tous droits strictement reserves. Reproduction ou communication a des tiers interdite sous quelque forme que ce soit sans autorisation écrite du propriétaire. Propriete de c FCI. Droits de reproduction FCI.



All rights strictly reserved. Reproduction or issue to third parties in any form whatever is not permitted without written authority from the proprietor. Property of FCI. Copyright FCI.

PRODUCT NO. 51963-052-- NOTE ③	ROWS D C B A	POWER						SIGNAL			E1	E2
		P1	P2	P3	P4	P5	P6	1	2	3		
		PC	PC	PC	PC	PC	PC	GGG	GGG	GGG		



CODE	DIM "M" MATING LENGTH	CONTACT TYPE
PC	[N/A]	POWER
G	[6.86]	SIGNAL

mat'l code				tolerances unless otherwise specified				CUSTOMER		FCI	
ltr	ecn no.	dr	date	linear	0.X ± 0.5		COPY		www.fciconnect.com		
A	DG10-0030	WL	1/21/10		0.XX ± 0.25		projection		title		
					0.XXX ± 0.1				6P + 12S VERTICAL PRESS FIT HEADER		
				angles	0° ± 2°		MIM		product family		
				dr	WL ZHANG	1/21/10	scale		PwrBlade		
				enrg	JEROME CHEN	1/21/10	1:1		code		
				chr	PM ZHENG	1/21/10			213		
				appd	JOSEPH HSIA	1/21/10			sheet		
sheet index		revision sheet		A	A	A	A	A		1 of 4	
		1	2	3	4			cage code		4	

cage code 22526

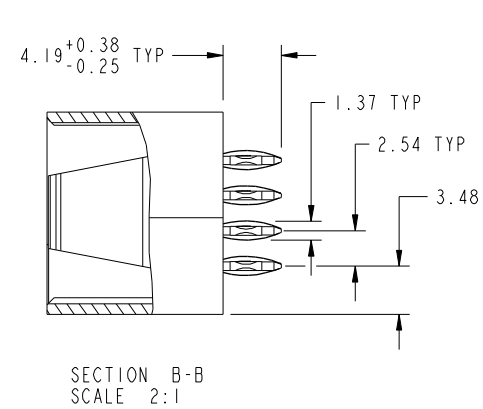
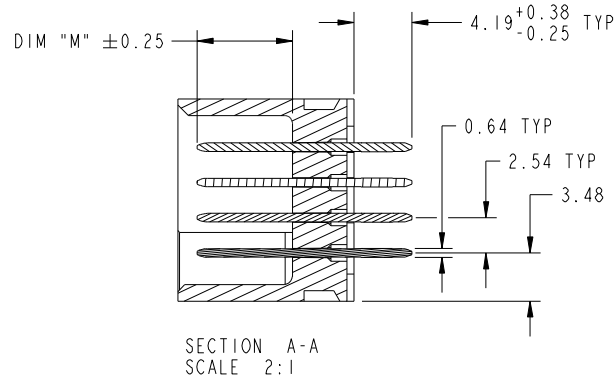
Pro/E

Tous droits strictement reserves. Reproduction ou communication a des tiers interdite sous quelque forme que ce soit sans autorisation écrite du propriétaire. Propriete de c FCI. Droits de reproduction FCI.

All rights strictly reserved. Reproduction or issue to third parties in any form whatever is not permitted without written authority from the proprietor. Property of FCI. Copyright FCI.



PRODUCT NUMBER
51963-052--
NOTE 3



mat'l code				tolerances unless otherwise specified		CUSTOMER		FCI	
ltr	ecn no.	dr	date	linear	0.X ±0.5	COPY		www.fciconnect.com	
A				linear	0.XX ±0.25	projection		title	
				angles	0.XXX ±0.1			6P + 12S VERTICAL PRESS FIT HEADER	
				dr	0° ±2°			product family PwrBlade code	
				enr	WL ZHANG 1/21/10	scale		size	
				chr	JEROME CHEN 1/21/10	1:1		dwg no	
				appd	PM ZHENG 1/21/10	A		51963-052	
					JOSEPH HSIA 1/21/10			sheet	
sheet index	revision sheet							2 of 4	

cage code 22526

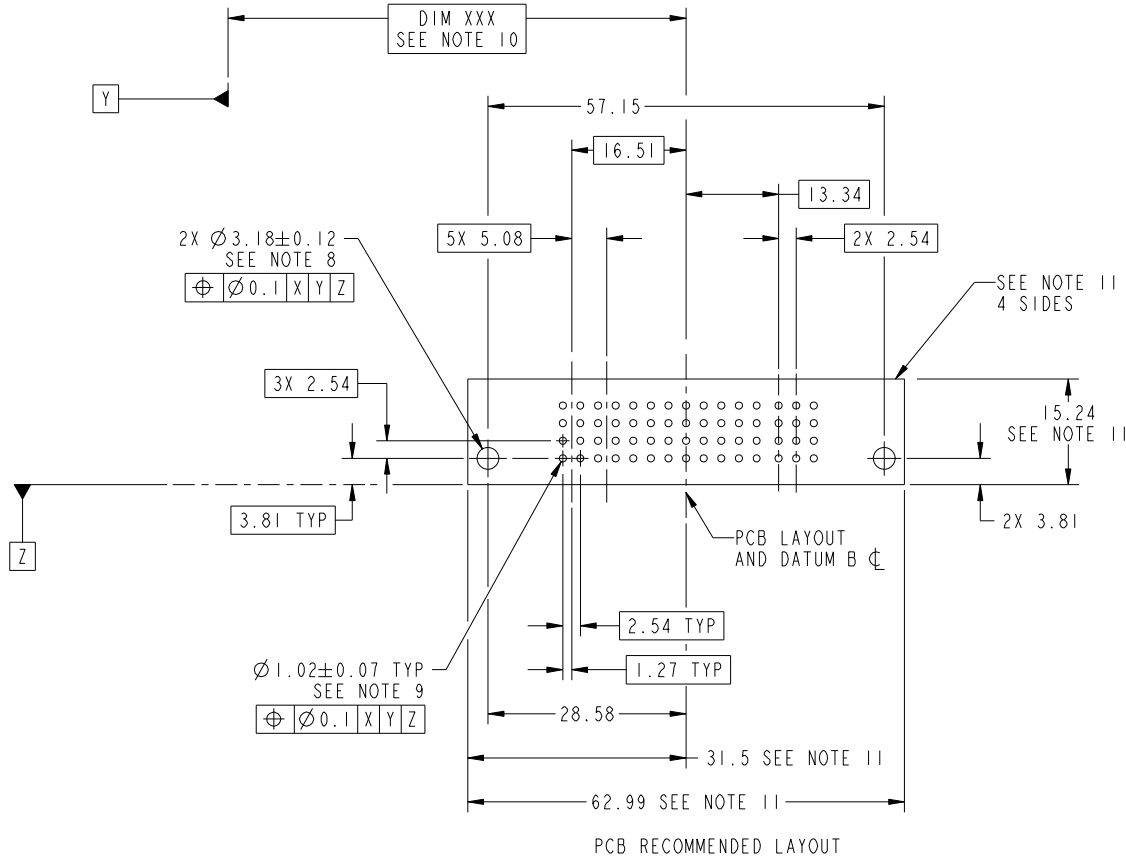
Pro/E

Tous droits strictement reserves. Reproduction ou communication a des tiers interdite sous quelque forme que ce soit sans autorisation écrite du propriétaire. Propriete de c FCI. Droits de reproduction FCI.



All rights strictly reserved. Reproduction or issue to third parties in any form whatever is not permitted without written authority from the proprietor. Property of FCI. Copyright FCI.

PRODUCT NUMBER
51963-052--
NOTE 3



mat'l code				tolerances unless otherwise specified		CUSTOMER		FCI	
ltr	ecn no.	dr	date	linear	0.X ± 0.5	COPY		www.fciconnect.com	
A					0.XX ± 0.25	projection		title 6P + 12S	
				angles	0.XXX ± 0.1			VERTICAL PRESS FIT HEADER	
				dr	0° ± 2°			product family PwrBlade code 213	
				enr	WL ZHANG 1/21/10	scale		size dwg no 213	
				chr	JEROME CHEN 1/21/10	1:1		sheet 3 of 4	
				appd	PM ZHENG 1/21/10			51963-052	
					JOSEPH HSIA 1/21/10				
sheet index	revision sheet								

cage code 22526

Pro/E

Tous droits strictement reserves. Reproduction ou communication a des tiers interdite sous quelque forme que ce soit sans autorisation écrite du propriétaire. Propriete de c FCI. Droits de reproduction FCI.

All rights strictly reserved. Reproduction or issue to third parties in any form whatever is not permitted without written authority from the proprietor. Property of FCI. Copyright FCI.

PRODUCT NUMBER
51963-052--
NOTE 3

NOTES:

1. DIMENSIONS AND TOLERANCES ARE IN ACCORDANCE WITH ASME Y14.5M, 1994 UNLESS OTHERWISE SPECIFIED.

CONNECTOR NOTES:

- 2 HOUSING MATERIAL: UL 94 V-0 GLASS FILLED HIGH-TEMP THERMOPLASTIC
POWER CONTACT MATERIAL: COPPER ALLOY
SIGNAL PIN MATERIAL: COPPER ALLOY
- 3. PLATING:
SEE ITEM 3 & 4 IN PRINT 10064183 FOR PLATING SPEC OF 51963-052; 51963-052LF PRESPECTIVELY
- 4 MANUFACTURER'S NAME, DATE CODE AND OPTIONAL P/N TO APPEAR ON THIS SURFACE. THE P/N CAN BE OMITTED IF THERE IS NOT ENOUGH SPACE ON THIS SURFACE.
- 5. PRODUCT SPECIFICATION GS-12-149.
APPLICATION SPECIFICATION BUS-20-067.
- 6. PACKAGED IN TRAYS.

PCB NOTES:

- 7. ALL HOLE DIAMETERS ARE FINISHED HOLE SIZE.
- 8. MOUNTING HOLES, WHERE APPLICABLE, ARE UNPLATED.
- 9 $\varnothing 1.151 \pm 0.025$ DRILLED HOLES PLATED WITH
0.008 MIN SnPb OR Sn OVER .001 [0.03]
TO 0.08 Cu PLATING TO ACHIEVE
 $\varnothing 1.02 \pm 0.07$ HOLE.
- 10 "DIM XXX" TO BE DETERMINED BY THE CUSTOMER.
- 11 CONNECTOR KEEP-OUT ZONE.
- 12. FOR PRESS FIT APPLICATION USE FCI CAM TOOL 430169-XXX.

mat'l code				tolerances unless otherwise specified		CUSTOMER		FCI		www.fciconnect.com	
ltr	ecr no.	dr	date	linear	0.X ± 0.5	COPY		projection	title		
A					0.XX ± 0.25	6P + 12S			VERTICAL PRESS FIT HEADER		
					0.XXX ± 0.1	0° ± 2°			product family PwrBlade code		
				angles	0° ± 2°	MIM		size		213	
				dr	WL ZHANG 1/21/10	← MIM →		dwg no		4 of 4	
				enr	JEROME CHEN 1/21/10	scale		A		51963-052	
				chr	PM ZHENG 1/21/10	1:1					
				appd	JOSEPH HSIA 1/21/10						
sheet index	revision sheet										

cage code 22526

Pro/E