

TECHNICAL SPECIFICATIONS

Material: Plastic (PA), UL94-HB
 Colour: Blue
 Operating Temperature: -55°C to +110°C
 Thumbscrews: UNC 4-40
 No. of contacts: 09-15-25-37-50

Item	QTY	Part description
1	1	Plastic Cover
2	2	EPS 3x8 Self Tapping Screw
3	1	Cable Clamp
4	1	Plastic Insert
5	2	Jackscrews UNC4-40x51mm

RoHS compliant
 Unit: mm

Scale	Free				Date	Name	Customer-No.
TOLERANCE					Drawn	17.08.2017	S.Bölling
0~6	±0.10				Approved	17.08.2017	S.Bölling
6~30	±0.20						
30~120	±0.30						
120~400	±0.50	1	Update Dimension (page 5)	01.04.2019	M.Rosander		
DIM	Tol	Ⓒ	Drawn	17.08.2017	S.Bölling	ASSMANN WSW components	
Angle	±1°					ASS_5257_CO	rev01
Angle	Tol	Id.	Modification	Date	Name	Replace	Sheet 1/5

ASSMANN WSW-No.
 ACOV-SUB-09NB16

Drawing-No.
 ASS_5257_CO
 rev01
 Sheet 1/5

1

2

3

4

5

6

7

A

A

B

B

C

C

D

D

E

E

F

F

G

G

H

H


Item	QTY	Part description
1	1	Plastic Cover
2	2	EPS 3x8 Self Tapping Screw
3	1	Cable Clamp
4	1	Plastic Insert
5	2	Jackscrews UNC4-40x51mm

TECHNICAL SPECIFICATIONS

Material: Plastic (PA), UL94-HB
 Colour: Blue
 Operating Temperature: -55°C to +110°C
 Thumbscrews: UNC 4-40

No. of contacts: 09-15-25-37-50

RoHS compliant
 Unit: mm

Scale	Free					Date	Name	Customer-No.
TOLERANCE						Drawn	17.08.2017	S.Bölling
0~6	±0.10					Approved	17.08.2017	S.Bölling
6~30	±0.20							
30~120	±0.30							
120~400	±0.50	1	Update Dimension (page 5)	01.04.2019	M.Rosander			
DIM	Tol							
Angle	±1°	Ⓒ	Drawn	17.08.2017	S.Bölling			
Angle	Tol	Id.	Modification	Date	Name			

Customer-No.
 ASSMANN WSW-No.
ACOV-SUB-15NB16

Drawing-No.
ASS_5257_CO
 Replace

rev01
 Sheet 2/5

1

2

3

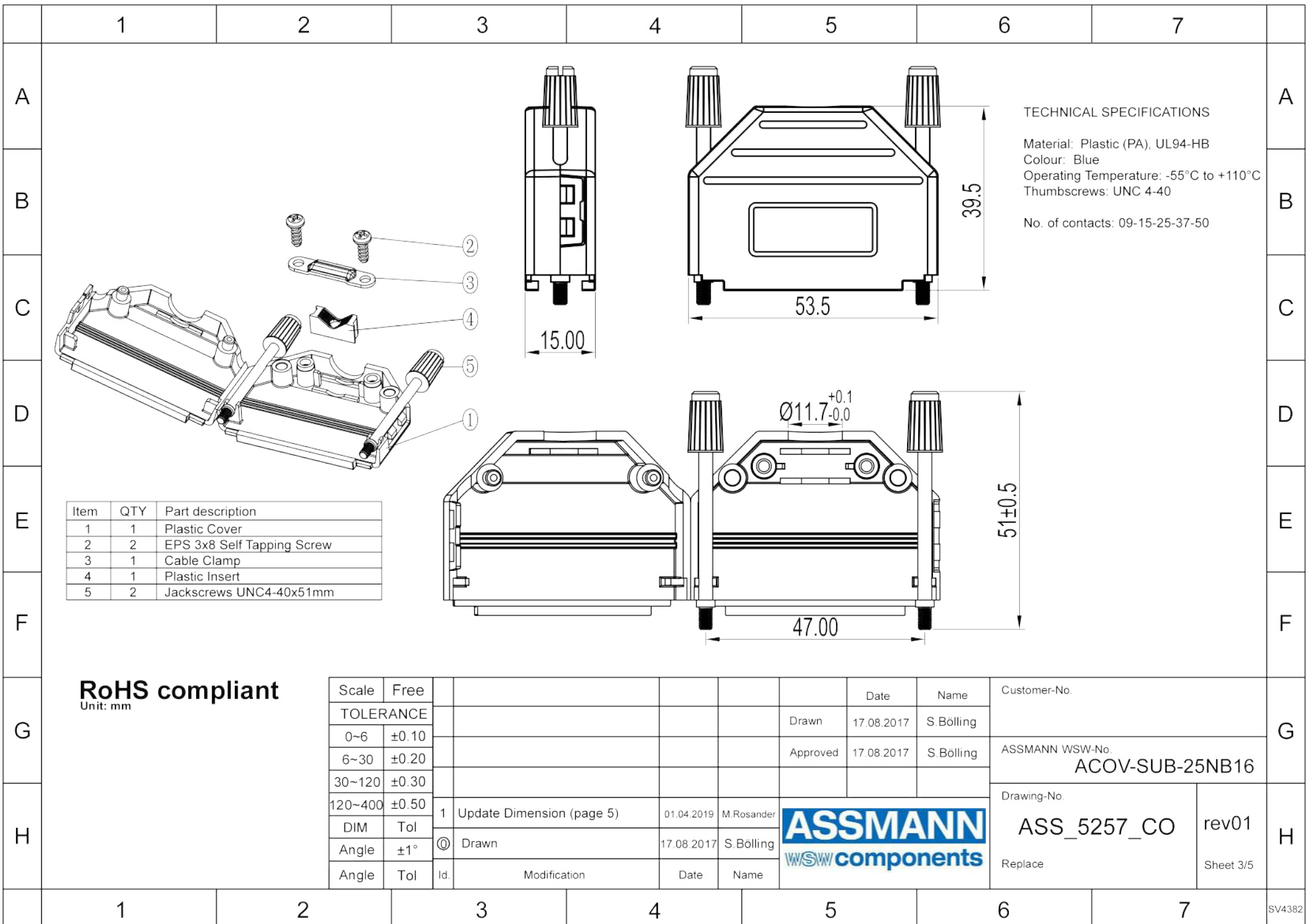
4

5

6

7

SV4382



TECHNICAL SPECIFICATIONS

Material: Plastic (PA), UL94-HB
 Colour: Blue
 Operating Temperature: -55°C to +110°C
 Thumbscrews: UNC 4-40

No. of contacts: 09-15-25-37-50

Item	QTY	Part description
1	1	Plastic Cover
2	2	EPS 3x8 Self Tapping Screw
3	1	Cable Clamp
4	1	Plastic Insert
5	2	Jackscrews UNC4-40x51mm

RoHS compliant
 Unit: mm

Scale	Free				Date	Name	Customer-No.
TOLERANCE					Drawn	17.08.2017	S. Bölling
0~6	±0.10				Approved	17.08.2017	S. Bölling
6~30	±0.20						ASSMANN WSW-No. ACOV-SUB-25NB16
30~120	±0.30						Drawing-No.
120~400	±0.50	1	Update Dimension (page 5)	01.04.2019	M. Rosander		ASS_5257_CO
DIM	Tol	Ⓞ	Drawn	17.08.2017	S. Bölling		rev01
Angle	±1°						Replace
Angle	Tol	Id.	Modification	Date	Name		Sheet 3/5

A
B

A
B

C
D

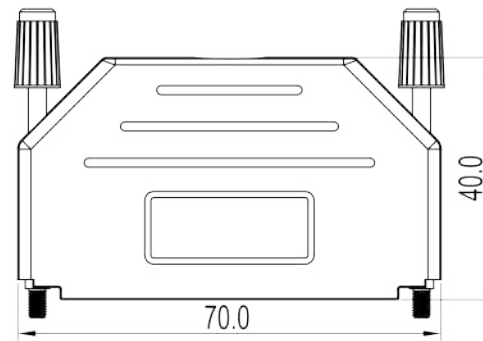
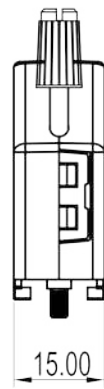
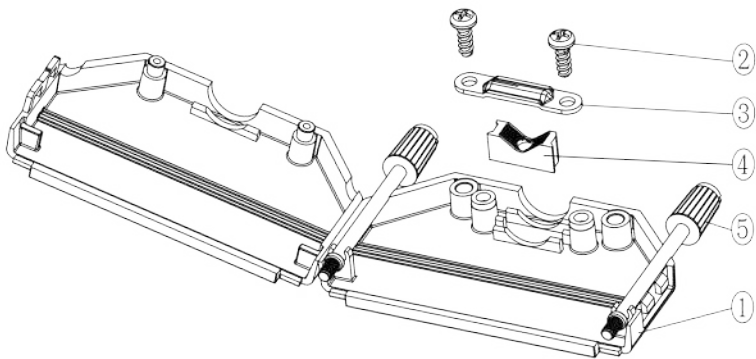
C
D

E
F

E
F

G
H

G
H

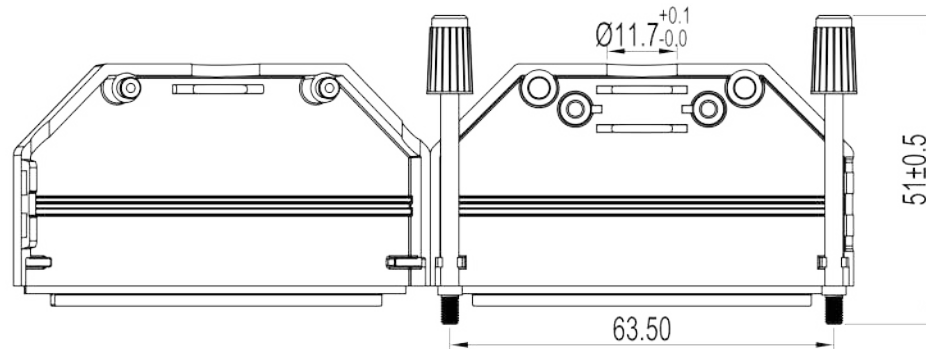


TECHNICAL SPECIFICATIONS


Material: Plastic (PA), UL94-HB
 Colour: Blue
 Operating Temperature: -55°C to +110°C
 Thumbscrews: UNC 4-40

No. of contacts: 09-15-25-37-50

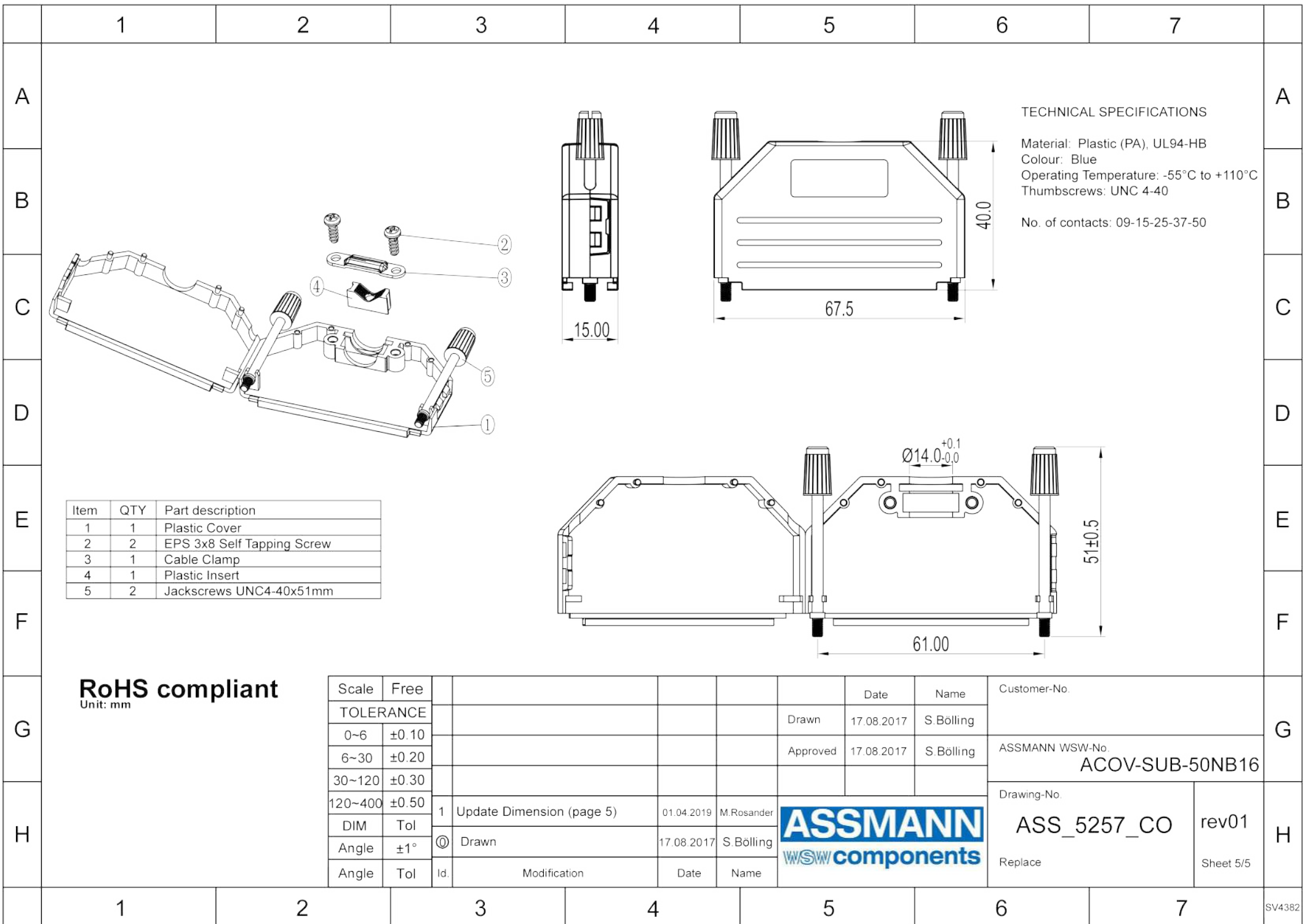
Item	QTY	Part description
1	1	Plastic Cover
2	2	EPS 3x8 Self Tapping Screw
3	1	Cable Clamp
4	1	Plastic Insert
5	2	Jackscrews UNC4-40x51mm



RoHS compliant
 Unit: mm

Scale	Free				Date	Name	Customer-No.
TOLERANCE					Drawn	17.08.2017	S. Bölling
0~6	±0.10				Approved	17.08.2017	S. Bölling
6~30	±0.20						
30~120	±0.30						
120~400	±0.50	1	Update Dimension (page 5)	01.04.2019	M. Rosander		
DIM	Tol	Ⓞ	Drawn	17.08.2017	S. Bölling		
Angle	±1°						
Angle	Tol	Id.	Modification	Date	Name		

ASSMANN WSW-No. ACOV-SUB-37NB16	
Drawing-No. ASS_5257_CO	rev01
Replace	Sheet 4/5



TECHNICAL SPECIFICATIONS

Material: Plastic (PA), UL94-HB
 Colour: Blue
 Operating Temperature: -55°C to +110°C
 Thumbscrews: UNC 4-40
 No. of contacts: 09-15-25-37-50

Item	QTY	Part description
1	1	Plastic Cover
2	2	EPS 3x8 Self Tapping Screw
3	1	Cable Clamp
4	1	Plastic Insert
5	2	Jackscrews UNC4-40x51mm

RoHS compliant
 Unit: mm

Scale	Free					Date	Name	Customer-No.
TOLERANCE						Drawn	17.08.2017	S.Bölling
0~6	±0.10					Approved	17.08.2017	S.Bölling
6~30	±0.20							ASSMANN WSW-No. ACOV-SUB-50NB16
30~120	±0.30							Drawing-No.
120~400	±0.50	1	Update Dimension (page 5)	01.04.2019	M.Rosander			ASS_5257_CO
DIM	Tol	Ⓞ	Drawn	17.08.2017	S.Bölling			rev01
Angle	±1°							Replace
Angle	Tol	Id.	Modification	Date	Name			Sheet 5/5