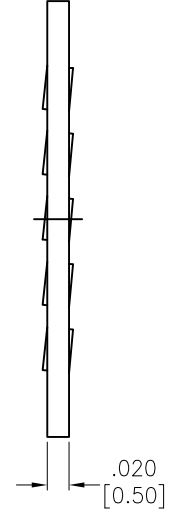
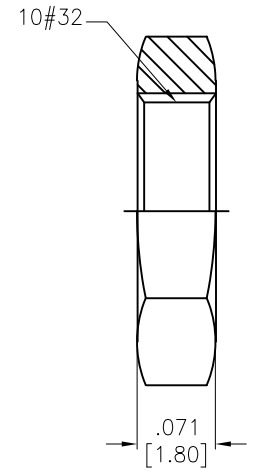
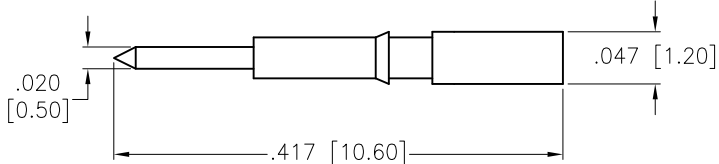
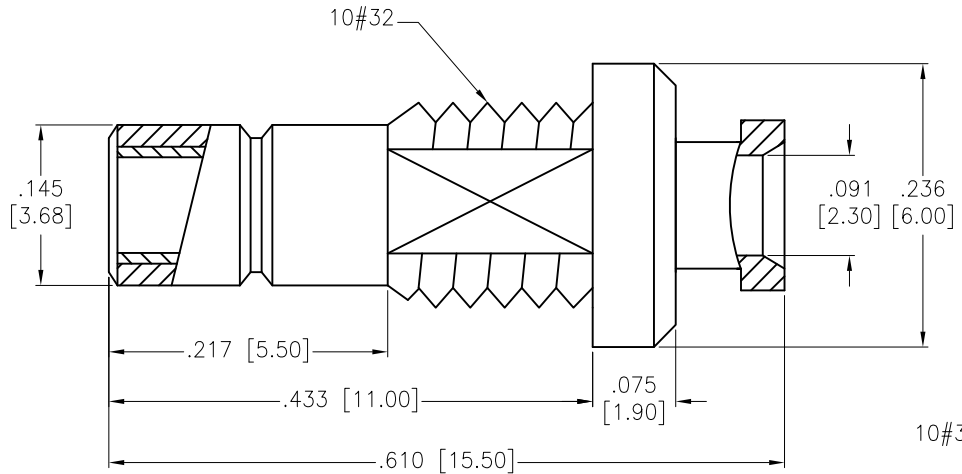


APPROVED: \_\_\_\_\_  
 DATE: \_\_\_\_\_ TITLE: \_\_\_\_\_

Rev	AWO #	Description	Date	Appr
-		RELEASED	11/21/11	
A		UPDATE DRAWING	7/5/19	AY/RC



FERRULE	BRASS	GOLD
PIN	BRASS	GOLD
INSULATOR	TEFLON	
BODY	BRASS	GOLD
DESCRIPTION	MATERIAL	FINISH

**SPECIFICATIONS:**  
 Electrical:  
 Nominal Impedance: 50 ohms  
 Environmental:  
 Lead free, RoHS compliant.



UNLESS OTHERWISE SPECIFIED  
 ALL DIMENSIONS ARE INCHES [MM]  
 TOLERANCES: EXCEPT AS NOTED  
 INCHES HOLES

.X ± .10	Ø.X ± .10
.XX ± .020	Ø.XX ± .015
.XXX ± .015	Ø.XXX ± .010

**ADAM TECH**  
 INTERCONNECTS

909 Rahway Avenue,  
 Union, NJ 07083  
 Phone: 908-687-5000  
 Fax: 908-687-5710

APPROVALS		DATE
DRAWN	AY	11/21/11
CHECKED	WC	11/21/11
APPROVED		

TITLE		
SMB JACK BULKHEAD FOR RG .085 TYPE .085 SEMI FLEXIBLE CABLE		
SIZE	PART NO.	REV.
X	RF3-02-T-08-50-G	A
REF:	S00049T	SCALE: NTS
		SHEET 1 OF 1