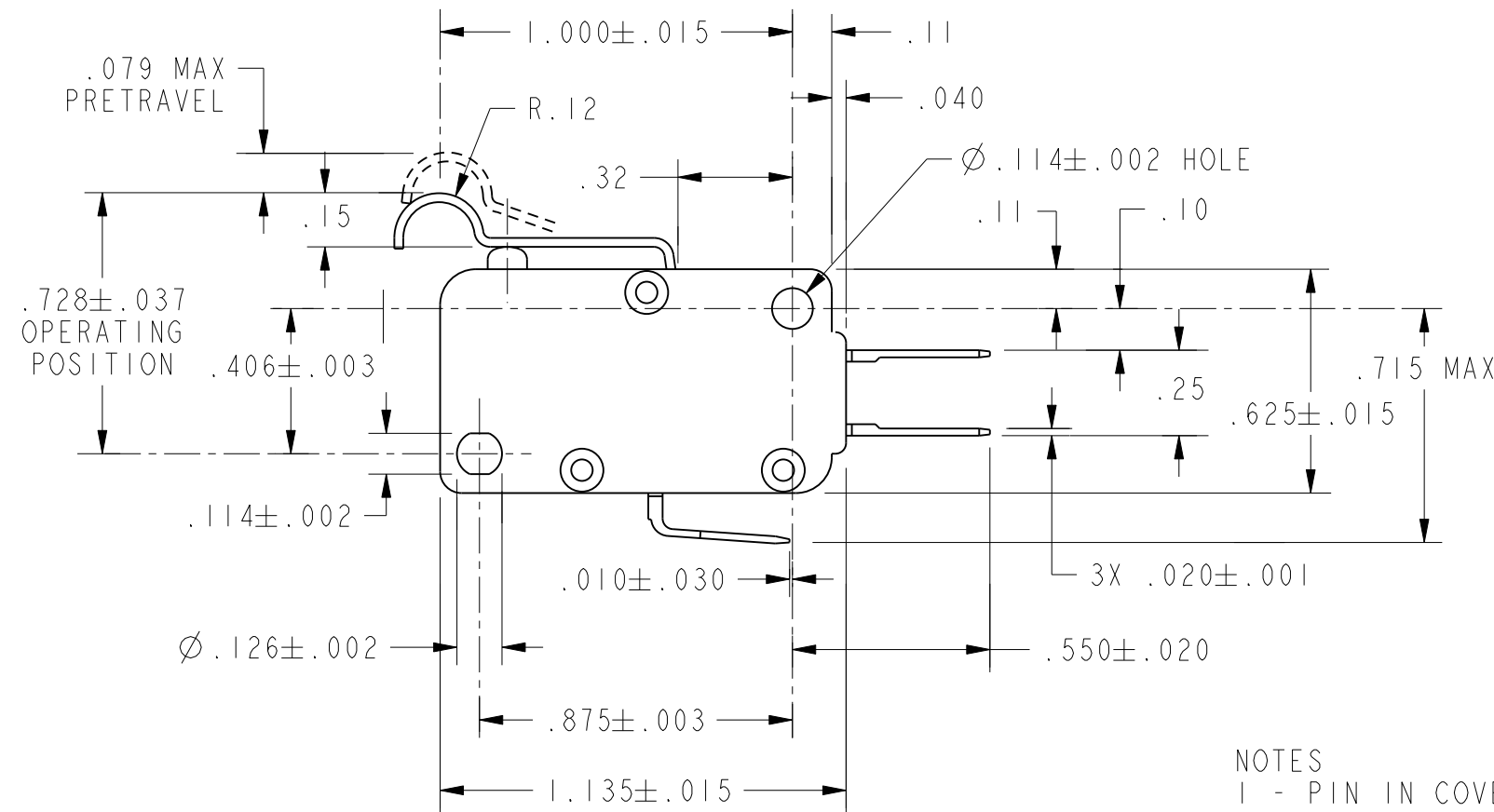
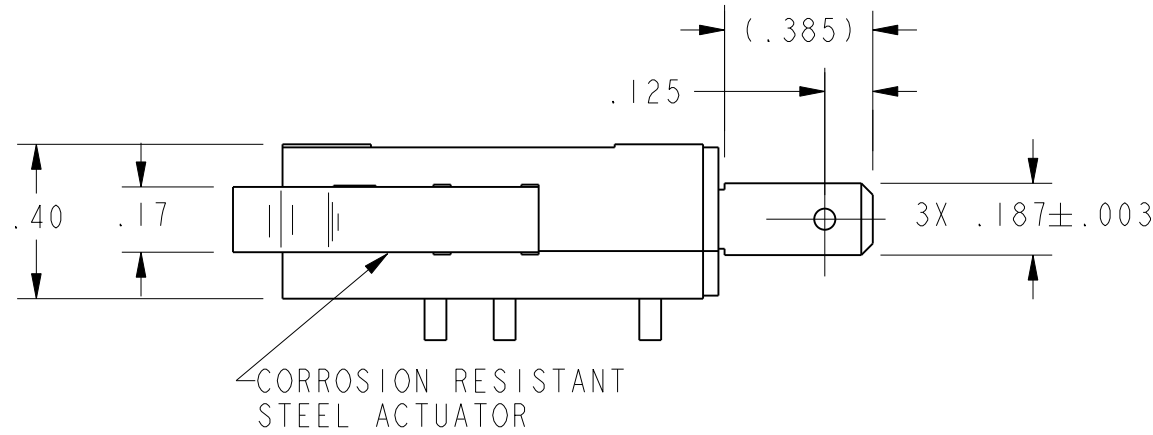


REV	DOCUMENT	CHANGED BY	CHECK
3	0041196	JA 01JUL08	ASD



NOTES  
 1 - PIN IN COVER ALLOW FOR GANG ASSEMBLY OF SWITCHES (CASE HAS RECEPTACLES TO ACCEPT PINS)

CHARACTERISTICS	
OPERATING FORCE-----	127 GRAMS MAX
RELEASE FORCE-----	14 GRAMS MIN
DIFFERENTIAL TRAVEL-----	.018 MAX
OVERTRAVEL-----	.046 MIN
RELEASE TRAVEL-----	.011 MIN

ELECTRICAL DATA	
CONTACT ARRANGEMENT	
S P D T	
L215	
15.1A 1/2HP 125, 250 OR 277 VAC	
1/2 125VDC	
1/4A 250 VDC; 5A 125 VAC "L"	

UNLESS OTHERWISE SPECIFIED TOLERANCES ARE:			
	<input checked="" type="checkbox"/> US (inch) CUSTOMARY	<input type="checkbox"/> SI (mm) METRIC	
NO PLACE	X	±.040	±1
ONE PLACE	.X	±.030	±0,4
TWO PLACE	.XX	±.015	±0,15
THREE PLACE	.XXX	±.005	±
ANGLES		±	±
RAW MATERIAL-COMMERCIAL STANDARD			
THIRD ANGLE PROJECTION			

DRAWN	TSM	02MAR00
CHECK	SAV	02MAR00
THIS DRAWING COVERS A PROPRIETARY ITEM AND IS THE PROPERTY OF HONEYWELL. THIS DRAWING IS NOT TO BE COPIED OR USED WITHOUT THE PERMISSION OF HONEYWELL.		
DIMENSIONS ARE TO BE MET BEFORE PROTECTIVE COATINGS ARE APPLIED		
PTC 2D	ASME Y14.5M-1994	

<b>Honeywell</b>			
TITLE <b>SWITCH, BASIC</b>			
SIZE	DWG TYPE	DRAWING NAME	REV
<b>B</b>	<b>I</b>	<b>7VP34</b>	<b>3</b>
SCALE	2:1	WEIGHT	SHEET 1 OF 1

