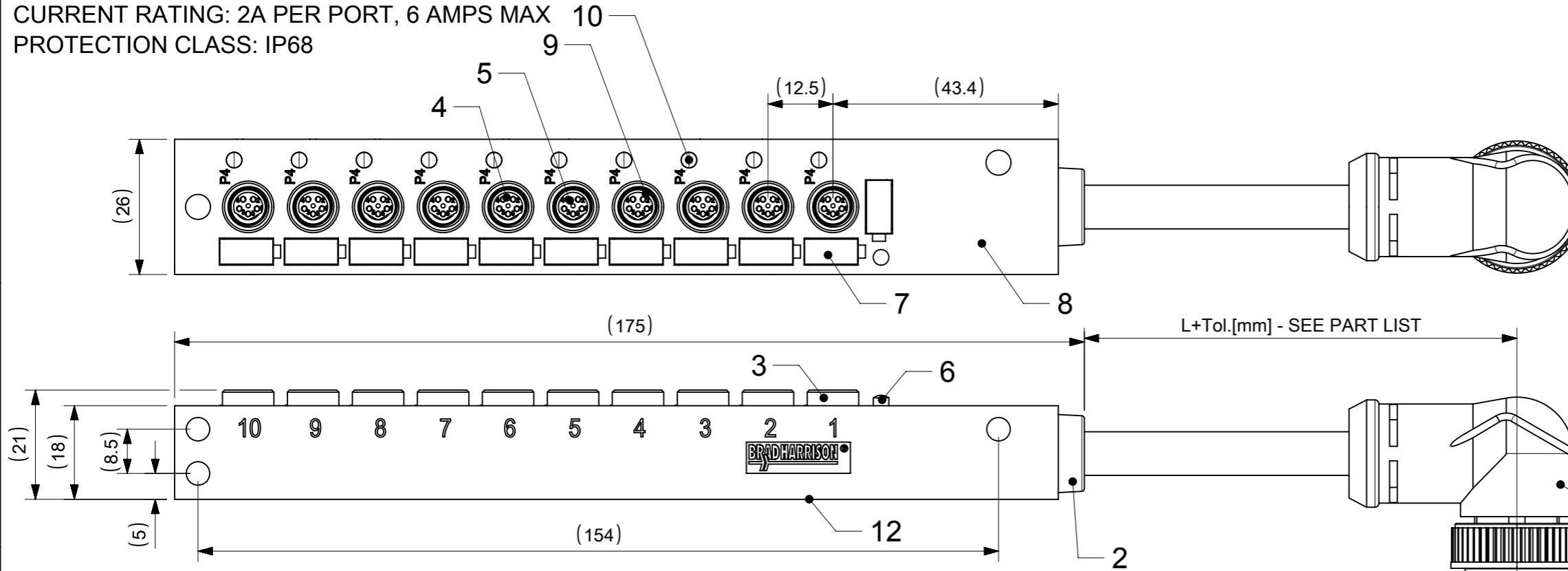


ELECTRICAL SPECIFICATION:

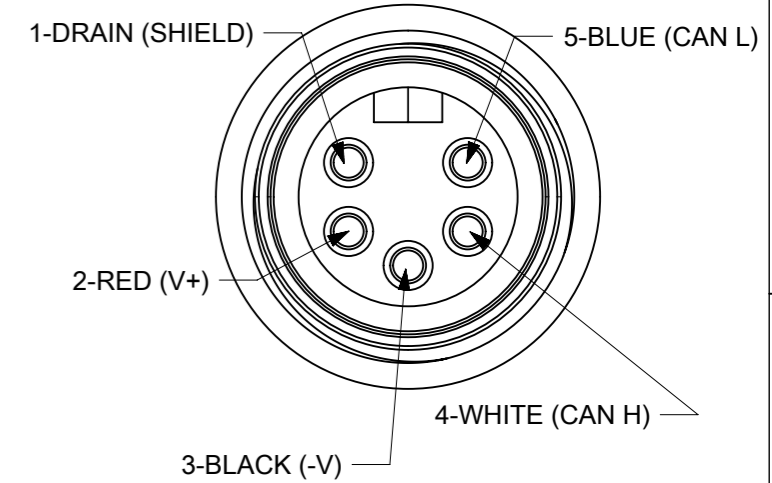
VOLTAGE: 10-30V DC

CURRENT RATING: 2A PER PORT, 6 AMPS MAX

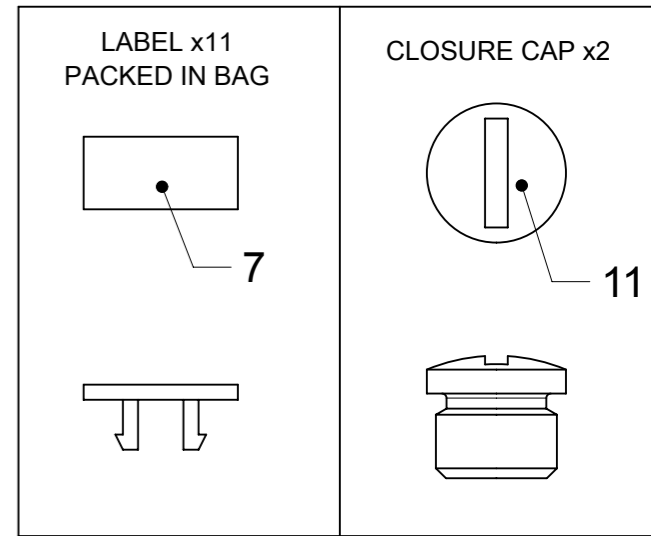
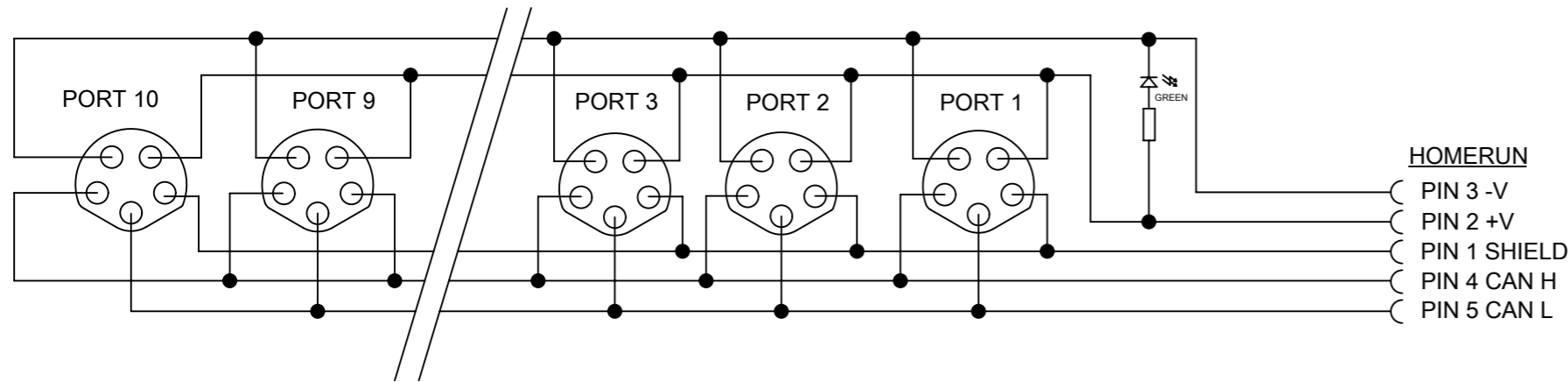
PROTECTION CLASS: IP68



MALE INSERT FRONT VIEW
SCALE: 2:1



WIRING DIAGRAM



PART LIST

MOLEX PN	ENGINEERING NO	L+Tol.[mm]
1300380011	BG19955-M002	200 ±25
1300380021	BG19955-M003	300 ±25
1300380022	BG19955-M005	500 ±25
1300380023	BG19955-M007	700 ±25

BOM

ITEM	QTY	DESCRIPTION	MATERIAL	FINISH/COLOR
12	-	POTTING MATERIAL	WEVO	-
11	2	BLANKING PLUG - M8 MALE	DURETHAN B30S	BLACK
10	10	MPIS-LED Lens YE single	ULTRADUR B4406 G2	YELLOW
9	10	GASKET OR FKM 5.0X0.8 RD 70	FKM	RED
8	1	M8-MPIS 3P-10 PORT HOUSING YEL	PBT	YELLOW
7	11	LABEL;M8-MPIS-PORT PLASTIC	PVC	WHITE
6	1	FIBER-OPTIC PA TR HB D3.6XL9.4 DBO MPIS	GRILLAMID TR 55 LX NATURAL	TRANSPARENT
5	50	CONTACT 10 FE TUR AG SO	BRASS	GOLD OVER Ni- PLATED
4	10	M8-5 POLE FEMALE INSERT	PUR	BLACK
3	10	SPECIAL M8-MPIS REC. SHELL	CZ121 Pb3	BRIGHT NICKEL PLATED
2	1	M8-MPIS CABLE PLATE-DIA 8.4mm	ULTRADUR B4406 G2	YELLOW
1	-	MC 5P M/MP 1M 90D MID	-	-

SYMBOLS THIS DRAWING CONTAINS INFORMATION THAT IS PROPRIETARY TO MOLEX ELECTRONIC TECHNOLOGIES, LLC AND SHOULD NOT BE USED WITHOUT WRITTEN PERMISSION DIMENSION UNITS: mm SCALE: 1:1 GENERAL TOLERANCES (UNLESS SPECIFIED): ANGULAR TOL ± 2.0° 4 PLACES ± 3 PLACES ± 2 PLACES ± 1 PLACE ± 0.3 0 PLACES ± DRAFT WHERE APPLICABLE MUST REMAIN WITHIN DIMENSIONS THIRD ANGLE PROJECTION	CURRENT REV DESC: EC NO: 606442 DRWN: MKOWALCZYK01 2018/10/19 CHK'D: DSTACHOWIAK 2018/10/25 APPR: DSTACHOWIAK 2018/10/25 INITIAL REVISION: DRWN: RSTONE 2010/12/06 APPR: JFMURPHY 2011/01/24		<p>M8 10 PORT MPIS DEVICENET 90 DEG HOMERUN CONNECTOR</p> <p>PRODUCT CUSTOMER DRAWING</p>		
	DOCUMENT NUMBER: SD-130038-003 DOC TYPE: PSD DOC PART: 001 REVISION: A1				