

DRAWING MADE IN THIRD ANGLE PROJECTION

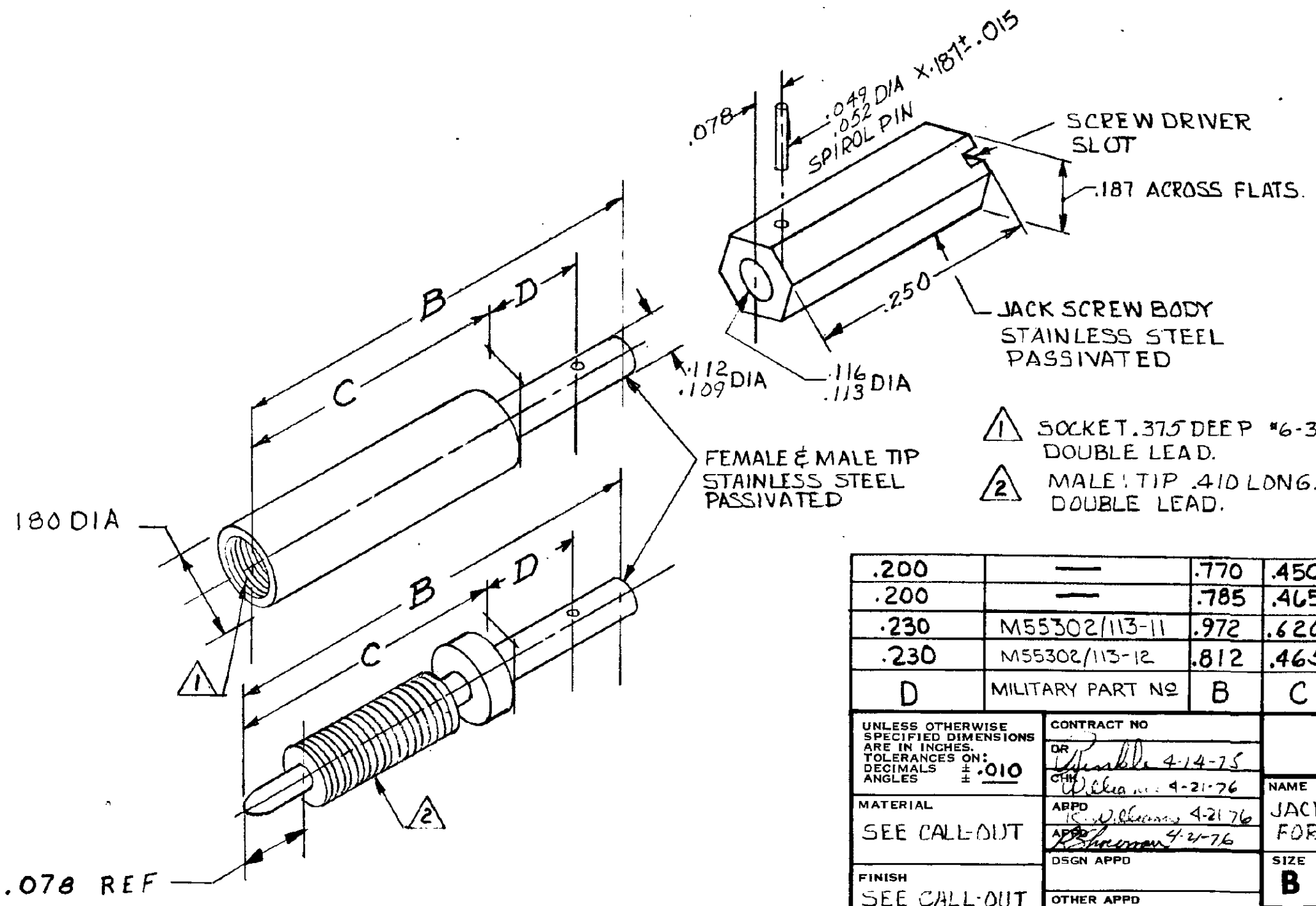
© COPYRIGHT 19 BY AMP INCORPORATED, HARRISBURG, PA.  
 ALL INTERNATIONAL RIGHTS RESERVED. AMP INCORPORATED PRODUCTS  
 COVERED BY U.S. AND FOREIGN PATENTS AND/OR PATENTS PENDING.

Unpublished copy not to be reproduced without written permission of AMP Incorporated

REVISIONS						
P	F	ZONE	LTR	DESCRIPTION	DATE	APPROVED
	✓		A	REVISED	5207 m.s.	7-7-77
	✓		A	REVISED	5489 A.S.	4-13-78 m.s. M
A2	✓		A2	ADDED -3,-4	7103 Dk	12-80 RMD
✓	✓		B	REVISED PER ECN AB-0948	db	7-2-85 EAM
			C	REV 600-5354-96 JB		10/96 DMM

S  
C  
B  
A

D  
C  
B  
A



- 1 SOCKET .375 DEEP #6-32 UNC-2B DOUBLE TH'D. DOUBLE LEAD.
- 2 MALE TIP .410 LONG. #6-32 UNC-2A DOUBLE TH'D. DOUBLE LEAD.

.200	—	.770	.450	JACKSCREW, FEMALE	530754-4
.200	—	.785	.465	JACKSCREW, MALE	530754-3
.230	M55302/113-11	.972	.620	JACKSCREW FEMALE	530754-2
.230	M55302/113-12	.812	.465	JACK SCREW MALE	530754-1
D	MILITARY PART NO	B	C	DESCRIPTION	PART NO

UNLESS OTHERWISE SPECIFIED DIMENSIONS ARE IN INCHES. TOLERANCES ON: DECIMALS ± .010 ANGLES ±	CONTRACT NO	AMP INCORPORATED Harrisburg, Pa.		
	DR Merrill 4-14-75 CHK Wick 4-21-76			NAME JACKSCREW, TURNABLE ASSEMBLY FOR BOX CONNECTOR.
MATERIAL SEE CALL-OUT	APPD S. Williams 4-21-76 APPD Robinson 4-21-76	SIZE B	CODE IDENT NO 00779	DRAWING NO 530754
FINISH SEE CALL-OUT	DSGN APPD OTHER APPD	SCALE NTS	SHEET	