

| PART NUMBER | REV | FIRST USED |
|-------------|-----|------------|
| 567959-1    | C   | 854040-3   |

| TERMINAL NAME: DUAC SOCKET CONTACT |                |                           |                     |             |        |
|------------------------------------|----------------|---------------------------|---------------------|-------------|--------|
| CRIMP DATA (AMP TERMINAL)          |                |                           |                     |             |        |
| VISIBLE PAD LTR                    | CRIMP HEIGHT   |                           |                     | WIRE SIZE   |        |
|                                    | A              | .042 ±.002 [1.07 ±0.05mm] | 18                  |             |        |
|                                    | B              | .036 ±.002 [0.91 ±0.05mm] | 20                  |             |        |
|                                    | C              | .032 ±.002 [0.81 ±0.05mm] | 22                  |             |        |
| D                                  | NOT USED       |                           | USED                |             |        |
| CRIMP                              | SIZE           | TYPE                      | RANGE               |             |        |
| WIRE                               | .062 [1.57mm]  | F                         | 22-18               |             |        |
| INSUL                              | .110 [2.79mm]  | F                         | Ø.059-.094          |             |        |
| WIRE STRIP LENGTH                  | TERM APPL SPEC | FEED                      | APPL INSTRUCTION    | SET UP GAGE | LAYOUT |
| .094-.126                          | 114-19048      | .472                      | SEE CUSTOMER MANUAL | NONE        | L1769  |

SIM TO HDM 680308

| QTY | REV | TER | APPL SPEC  | DESCRIPTION                        | ITEM NO |
|-----|-----|-----|------------|------------------------------------|---------|
| 2   | -   | C   | 6-354779-9 | PIN, WIRE DISC (.3335)D            | 129     |
| 2   | -   | C   | 5-354779-7 | PIN, WIRE DISC (.3275)C            | 128     |
|     |     |     |            |                                    | 127     |
| 2   | -   | C   | 7-354779-8 | PIN, WIRE DISC (.3380)A            | 126     |
| 1   | -   | A   | 986950-1   | WASHER, FLAT PRECISION             | 125     |
| 1   | -   | A   | 217238-3   | GENERAL INSTRUCTION PACKAGE        | 124     |
|     |     |     |            |                                    | 123     |
|     |     |     |            |                                    | 122     |
| 1   | -   | A   | 4-21028-0  | PIN, SLT SPR (Ø.093x.75) ST 60E PL | 121     |
| 1   | -   | B   | 690701-2   | PLATE, SERIAL NO.                  | 120     |
| 2   | -   | A   | 21899-2    | WASHER, FLAT (#10) 5 G ADJ BLK     | 119     |
|     |     |     |            |                                    | 118     |
| 2   | -   | A   | 21024-5    | WASHER, LOCK (#10) ADJ BLOCK       | 117     |
|     |     |     |            |                                    | 116     |
|     |     |     |            |                                    | 115     |
| 2   | -   | A   | 21024-2    | WASHER, LOCK (#4) FRONT STP GUIDE  | 114     |
| REF | -   | A   | 21024-4    | WASHER, LOCK (#8) FEED FINGER      | 113     |
| 2   | -   | A   | 21024-4    | WASHER, LOCK (#8) DEP-HOLD         | 112     |
| REF | -   | A   | 21024-4    | WASHER, LOCK (#8) STRIPPER         | 111     |
|     |     |     |            |                                    | 110     |
|     |     |     |            |                                    | 109     |
| 1   | -   | A   | 21018-5    | NUT, HEX (#6) HOLD DOWN            | 108     |
|     |     |     |            |                                    | 107     |
|     |     |     |            |                                    | 106     |
|     |     |     |            |                                    | 105     |
|     |     |     |            |                                    | 104     |
| 1   | -   | A   | 21009-2    | SCR, SKT 5ET (1/4-20x.25 LW) RAM   | 103     |
|     |     |     |            |                                    | 102     |
| 4   | -   | A   | 21017-2    | SCR, DRIVE (#2x.19) ID PLATE       | 101     |
| 1   | -   | B   | 819347-1   | PLATE, IDENTIFICATION              | 100     |
| 2   | -   | A   | 3-21002-0  | SCR, BHC (10-32x.88) DRAG          | 99      |
| 1   | -   | A   | 22733-8    | SCR, BHC (8-32x.38 LW) ANVIL       | 98      |
|     |     |     |            |                                    | 97      |
| 1   | -   | A   | 3-21000-8  | SCR, SHC (10-32x.88) MOUNTING      | 96      |
| 1   | -   | A   | 2-21002-7  | SCR, BHC (10-32x.50) 5G ADJ BLK    | 95      |
| 6   | -   | A   | 2-21002-2  | SCR, BHC (8-32x.50) SHEAR-TERM SUP | 94      |
|     |     |     |            |                                    | 93      |
|     |     |     |            |                                    | 92      |
| 1   | -   | A   | 1-21002-7  | SCR, SHC (6-32x.50) CAM            | 91      |
| 2   | -   | A   | 2-21000-7  | SCR, SHC (8-32x.50) SCR BLK        | 90      |
|     |     |     |            |                                    | 89      |
|     |     |     |            |                                    | 88      |
| 2   | -   | A   | 2-21000-7  | SCR, SHC (8-32x.48) DEP-HOLD DOWN  | 87      |
| REF | -   | A   | 2-22603-0  | SCR, HEX HD (8-32x.31) FEED FINGER | 86      |
| 2   | -   | A   | 1-21000-3  | SCR, SHC (4-40x.25) F ST GUIDE     | 85      |
| REF | -   | A   | 22733-9    | SCR, BHC (8-32x.50 SL) STRIPPER    | 84      |
|     |     |     |            |                                    | 83      |
|     |     |     |            |                                    | 82      |
| 1   | -   | A   | 3-22603-1  | SCR, HEX (10-32x.38) 5G ADJ BL     | 81      |
|     |     |     |            |                                    | 80      |
|     |     |     |            |                                    | 79      |
|     |     |     |            |                                    | 78      |
| 2   | -   | B   | 463310-5   | BLADE, STRIPPING (#20)             | 77      |
|     |     |     |            |                                    | 76      |
|     |     |     |            |                                    | 75      |
| 1   | -   | A   | 690603-1   | SPRING, ASSIST                     | 74      |
| 1   | -   | A   | 23030-1    | SCR, SKT CAP (6-32x.25) CP DSC     | 73      |
|     |     |     |            |                                    | 72      |
|     |     |     |            |                                    | 71      |

| QTY | REV | TER | APPL SPEC | DESCRIPTION | ITEM NO |
|-----|-----|-----|-----------|-------------|---------|
| -1  | U/M |     |           |             |         |

| PARTS LIST |     |     |           |             |         |
|------------|-----|-----|-----------|-------------|---------|
| QTY        | REV | TER | APPL SPEC | DESCRIPTION | ITEM NO |
| -1         | U/M |     |           |             |         |

| QTY | REV | TER | APPL SPEC  | DESCRIPTION                 | ITEM NO |
|-----|-----|-----|------------|-----------------------------|---------|
|     |     |     |            |                             | 70      |
|     |     |     |            |                             | 69      |
|     |     |     |            |                             | 68      |
|     |     |     |            |                             | 67      |
|     |     |     |            |                             | 66      |
|     |     |     |            |                             | 65      |
|     |     |     |            |                             | 64      |
|     |     |     |            |                             | 63      |
|     |     |     |            |                             | 62      |
|     |     |     |            |                             | 61      |
|     |     |     |            |                             | 60      |
|     |     |     |            |                             | 59      |
|     |     |     |            |                             | 58      |
|     |     |     |            |                             | 57      |
| REF | -   | B   | 694433-8   | PAWL, FEED                  | 56      |
|     |     |     |            |                             | 55      |
|     |     |     |            |                             | 54      |
|     |     |     |            |                             | 53      |
|     |     |     |            |                             | 52      |
| 1   | -   | A   | 811242-2   | BUMPER, HOLDDOWN            | 51      |
| 1   | -   | A   | 690753-1   | SPACER, TONKER              | 50      |
|     |     |     |            |                             | 49      |
| 1   | -   | A   | 690602-6   | CAM, PRE-FEED 1.62 STROKE   | 48      |
|     |     |     |            |                             | 47      |
|     |     |     |            |                             | 46      |
| 1   | -   | A   | 690191-1   | PLUG, NYLON                 | 45      |
| 1   | -   | C   | 455673-1   | RAM                         | 44      |
| 1   | -   | A   | 690125-1   | WASHER, LAMINATED           | 43      |
| 1   | -   | A   | 690124-3   | WASHER, RAM                 | 42      |
| 1   | -   | A   | 7-21002-9  | BOLT, CRIMPER (5/16x1.00)   | 41      |
| 1   | -   | A   | 23241-6    | BALL, STEEL                 | 40      |
| 1   | -   | A   | 690170-1   | SPRING, COMPRESSION         | 39      |
| 1   | -   | C   | 690142-1   | DISC, INSULATION            | 38      |
| 1   | -   | D   | 354777-1   | WIRE DISC, PLASTIC          | 37      |
| 1   | -   | A   | 22480-5    | WASHER, SPRING              | 36      |
| 1   | -   | B   | 690212-1   | POST, RAM                   | 35      |
| 1   | -   | B   | 690786-1   | SUPPORT, TERMINAL           | 34      |
| 1   | -   | C   | 462544-1   | PLATE, BASE SPECIAL         | 33      |
| 1   | -   | A   | 690432-3   | SCREW, ADJUSTMENT           | 32      |
| 1   | -   | B   | 462543-1   | BLOCK, SCREW SPECIAL        | 31      |
| 1   | -   | B   | 455689-1   | BLOCK, STRIP GUIDE ADJ      | 30      |
| 1   | -   | C   | 455671-1   | PLATE, STRIP GUIDE          | 29      |
| 1   | -   | C   | 1-455888-7 | SPACER, FRONT SHEAR DEP     | 28      |
| 2   | -   | A   | 1-22284-0  | SPRING, DRAG                | 27      |
| 1   | -   | B   | 690546-1   | LEVER, DRAG RELEASE         | 26      |
| 1   | -   | B   | 240792-5   | DRAG, TERMINAL              | 25      |
| 1   | -   | D   | 6-690504-8 | GUIDE, STRIP (REAR)         | 24      |
| 1   | -   | A   | 690438-1   | GUIDE, STRIP (FRONT)        | 23      |
|     |     |     |            |                             | 22      |
| 1   | -   | A   | 463756-1   | GUIDE, SCRAP                | 21      |
|     |     |     |            |                             | 20      |
| REF | -   | C   | 462615-1   | STRIPPER                    | 19      |
|     |     |     |            |                             | 18      |
|     |     |     |            |                             | 17      |
|     |     |     |            |                             | 16      |
|     |     |     |            |                             | 15      |
|     |     |     |            |                             | 14      |
|     |     |     |            |                             | 13      |
| 1   | -   | A   | 5-22280-0  | SPRING, SHEAR               | 12      |
| 1   | -   | B   | 1-690461-6 | STOP, SHEAR (FRONT)         | 11      |
| 1   | -   | B   | 462548-1   | HOLDER, SHEAR (FRONT) SP    | 10      |
| 1   | -   | B   | 462547-1   | SHEAR, FLOAT (FRONT) SP     | 9       |
| 1   | -   | C   | 8-189717-1 | ANVIL                       | 8       |
|     |     |     |            |                             | 7       |
|     |     |     |            |                             | 6       |
| 1   | -   | A   | 462838-1   | DEPRESSOR, SHEAR (FRONT) SP | 5       |
| 1   | -   | B   | 2-238011-5 | SPACER, BLOCK CRIMPER       | 4       |
| 1   | -   | C   | 3-683453-8 | CRIMPER, INSULATION         | 3       |
| 1   | -   | C   | 455888-3   | SPACER, CRIMPER             | 2       |
| 1   | -   | C   | 1-456403-6 | CRIMPER, WIRE               | 1       |

| QTY | REV | TER | APPL SPEC | DESCRIPTION | ITEM NO |
|-----|-----|-----|-----------|-------------|---------|
| -1  | U/M |     |           |             |         |

| PARTS LIST |     |     |           |             |         |
|------------|-----|-----|-----------|-------------|---------|
| QTY        | REV | TER | APPL SPEC | DESCRIPTION | ITEM NO |
| -1         | U/M |     |           |             |         |

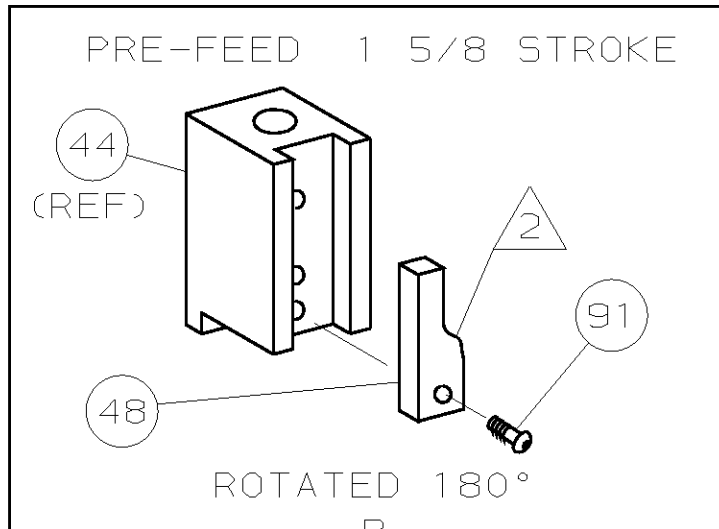
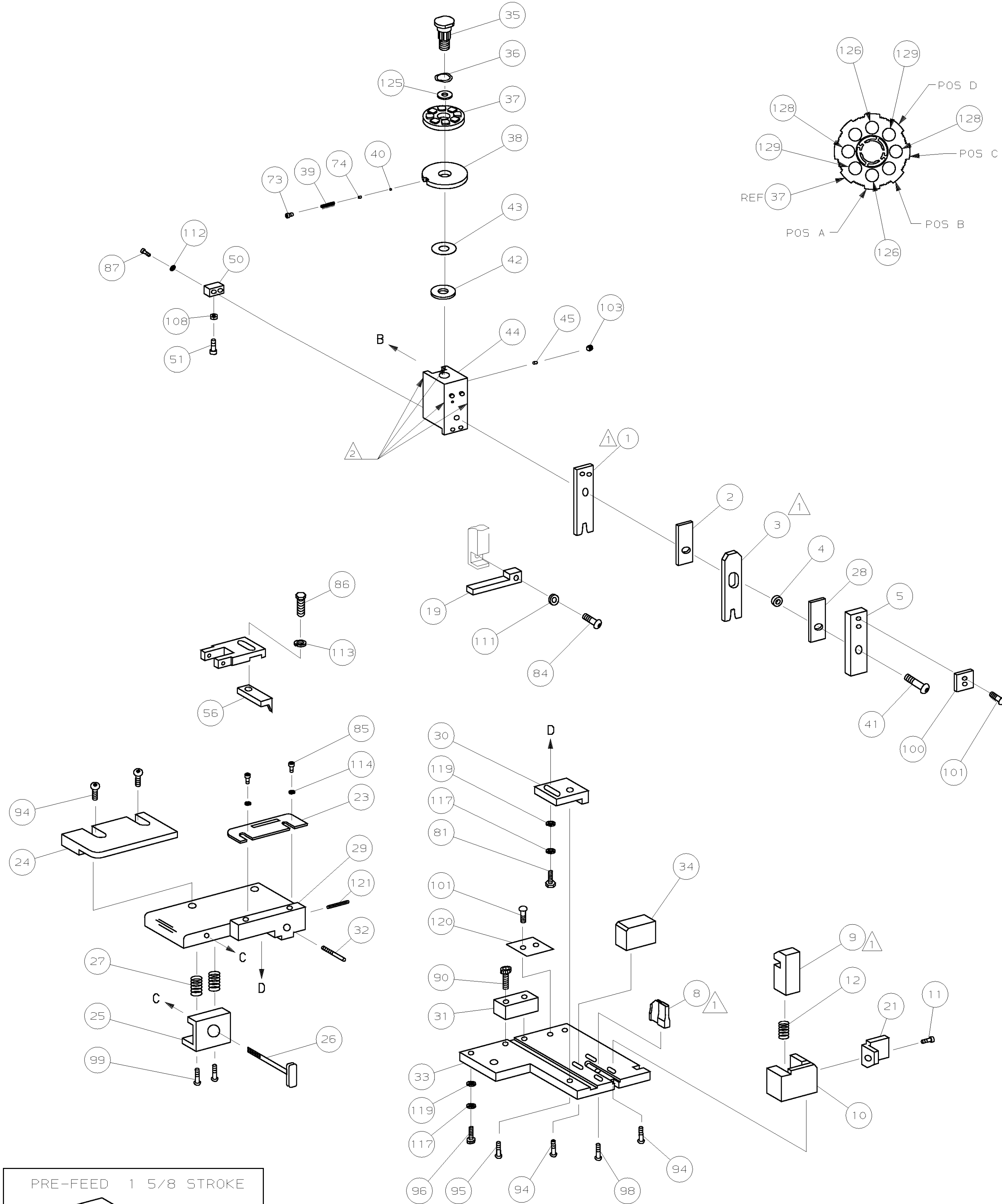
|  |                 |                             |             |                              |
|--|-----------------|-----------------------------|-------------|------------------------------|
| DIMENSIONS IN INCHES. DO NOT SCALE PRINT. TOLERANCES UNLESS OTHERWISE SPECIFIED: |                 | MATL                        | HT TR       | FIN                          |
| 2 PLC DEC ±  | 3 PLC DEC ±     | DR W.HOOVER                 | APP T.ELBIN |                              |
| 4 PLC DEC ±  | 5 PLC DEC ±     | CHK 26FEB99                 | REL -       |                              |
| ANGLES ±   | SURF TEXTURE: ✓ | C.ERISMAN                   |             |                              |
| REMOVE BURRS, BREAK SHARP EDGES R.015 MAX  |                 | STRIPPER CRIMPER APPLICATOR |             | MACHINE REF STRIPPER CRIMPER |
|  |                 | SCALE                       | DWG NO      | SHEET REV                    |
|  |                 |                             | 567959      | 1 OF 1 C                     |

CUSTOMER AND ASSEMBLY DRAWING

THIS DRAWING IS A CONTROLLED DOCUMENT.

RELEASING FOR PUBLICATION 07 APRIL 1999 BY AMP INCORPORATED. ALL RIGHTS RESERVED.

LOC A  
DIST 66



- 1 RECOMMENDED SPARE PARTS.
- 2 GREASE LIGHTLY.
- 3 ITEM NOT SHOWN.
- 4 CUT TO LENGTH AT ASSY.