

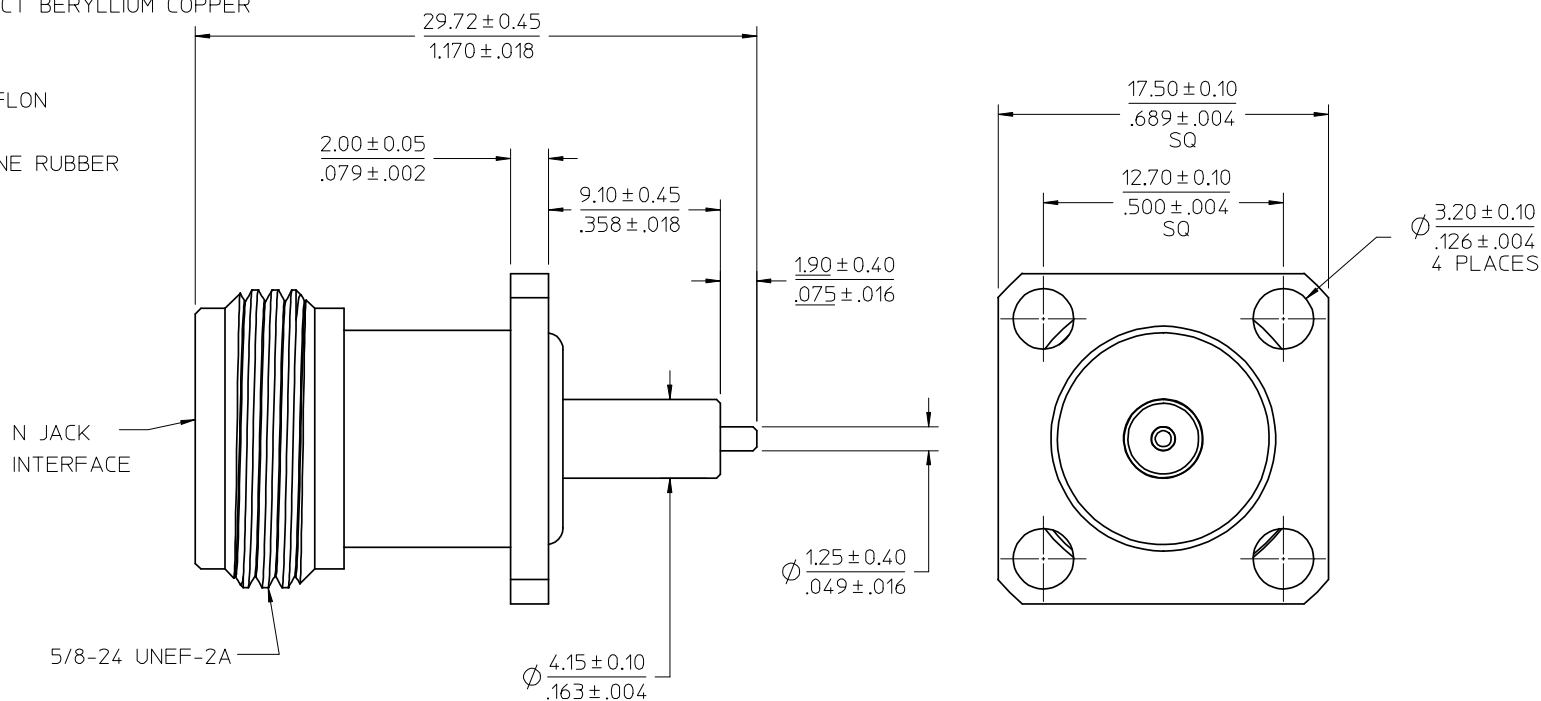
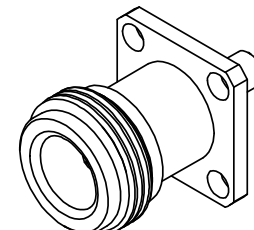
MATERIALS AND FINISHES

BODY, BUSHING BRASS
PLATED NICKEL

CENTER CONTACT BERYLLIUM COPPER
PLATED GOLD

INSULATOR TEFLON

GASKET SILICONE RUBBER



ES-73599-0000

INTERFACE

SPECIFICATION

DESCRIPTION

73276-1350	73100-0030, ONE PER BAG
73100-0030	PACKAGING BY TRAY
PART NO.	PACKAGING

CHG 73100-0030 PACKAGING BY TRAY WAS INDIVIDUAL EC NO: URF2008-0394 2008/02/13 DRWNSCHOU 2008/02/15 CHKD: APPR: MHUANG 2008/02/18 A2	QUALITY SYMBOLS ▼=0 ▽=0	GENERAL TOLERANCES (UNLESS SPECIFIED) mm INCH 4 PLACES ± --- ± --- 3 PLACES ± --- ± --- 2 PLACES ± --- ± --- 1 PLACE ± --- ± --- ANGULAR ± 2 °	DIMENSION STYLE MM/IN DRAWN BY IRIS WANG DATE 1992/12/14 CHECKED BY DATE APPROVED BY KHW DATE 1992/12/21	SCALE DESIGN UNITS METRIC THIRD ANGLE PROJECTION	TITLE N JACK, 4H FLG, W/O RING 50 OHMS N-J/FLG
	DRAFT WHERE APPLICABLE MUST REMAIN WITHIN DIMENSIONS	MATERIAL NO. SEE TABLE	MOLEX INCORPORATED DOCUMENT NO. SD-73100-0030	SHEET NO. 1 OF 1	
	THIS DRAWING CONTAINS INFORMATION THAT IS PROPRIETARY TO MOLEX INCORPORATED AND SHOULD NOT BE USED WITHOUT WRITTEN PERMISSION				
	SIZE C				