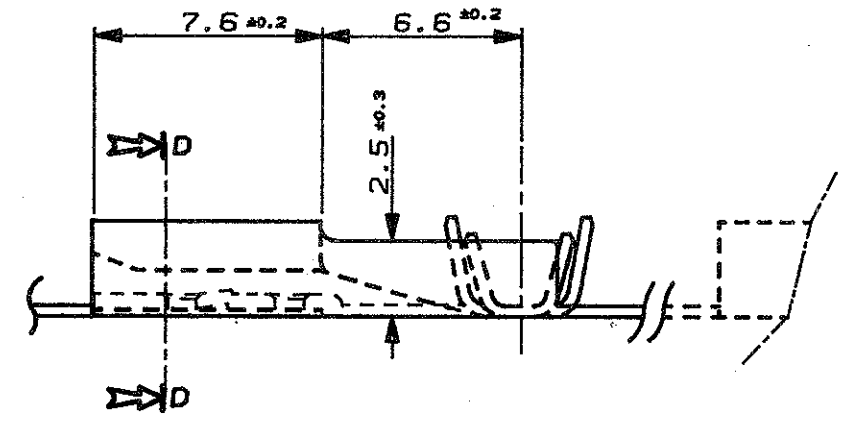


SCALA NON IMPEGNATIVA
(DO NOT SCALE)
DIMENSIONI IN mm
(DIMENSIONS IN mm)

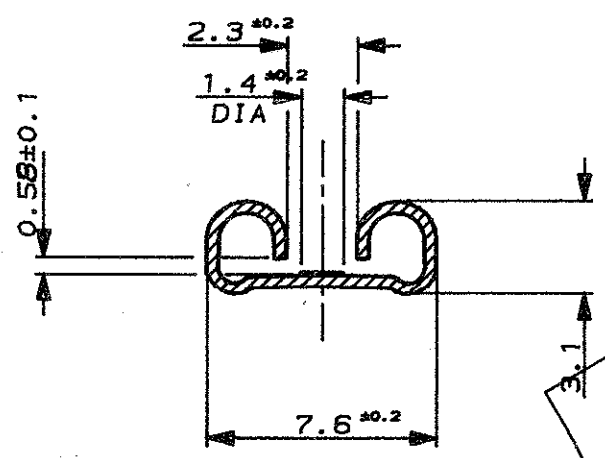
METRIC

PROIEZIONE EUROPEA
(EUROPEAN PROJECTION)

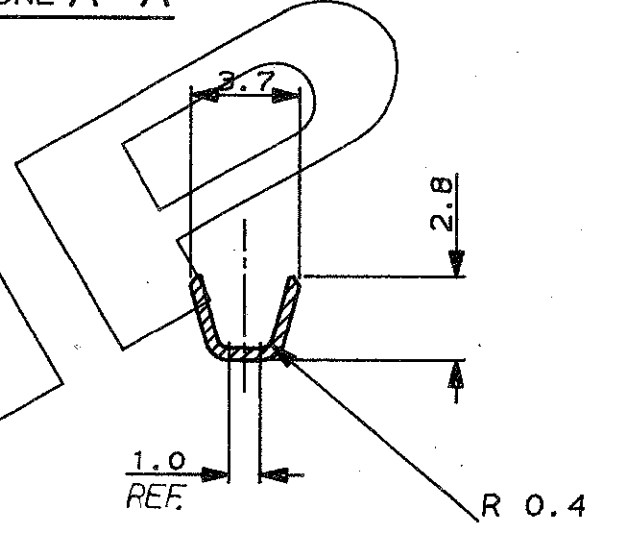
A
B
C
D
E



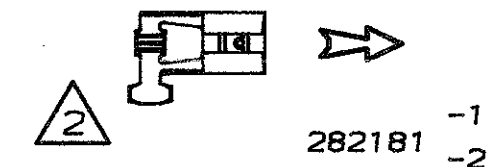
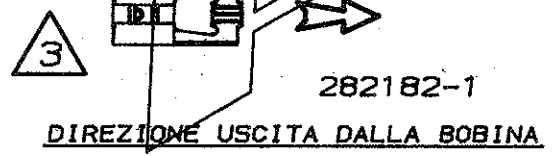
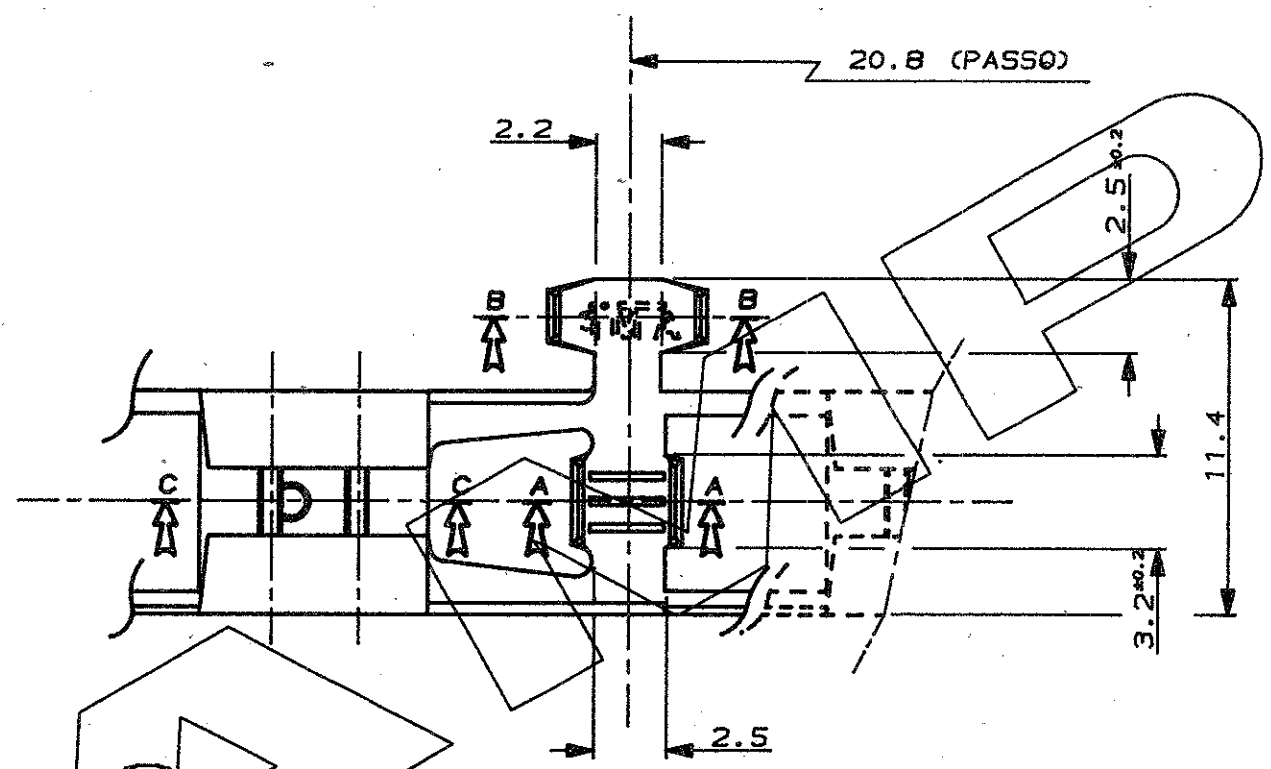
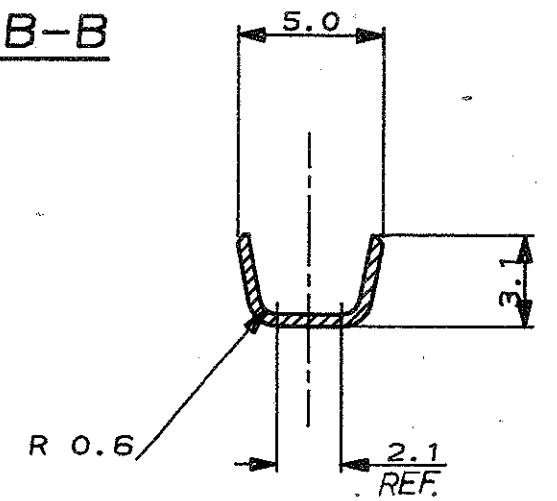
SEZIONE D-D



SEZIONE A-A



SEZIONE B-B



(WIRE) SEZ. FILO mm ²	(INS. DIA. STD) Ø ISOL. STD	(INS. DIA. REDUCED) Ø IS. RID. FASE 3
0.50	---	1.5-1.7
0.75	---	1.7-1.9
1.0	---	1.9-2.1
1.5	---	2.2-2.4

3	OBSOLETE	STAGNATO	OTTONE	282182-1
4	2	-	BR. FOSFOROSO	282181-2
2	2	STAGNATO	OTTONE	282181-1
		FINITURA / COLORE (FINISH / COLOUR)	MATERIALE (MATERIAL)	NUMERO (PART NUMBER)

CUSTOMER DWG. FOR REFERENCE ONLY DISEGNO PER CLIENTE SOLO PER RIFERIMENTO

THIS DRAWING IS UNPUBLISHED RELEASE FOR PUBLICATION 19

© COPYRIGHT 19 BY AMP INCORPORATED, HARRISBURG, PA. ALL INTERNATIONAL RIGHTS RESERVED. AMP PRODUCTS MAY BE COVERED BY U.S. AND FOREIGN PATENT AND/OR PATENT PENDING

TOLLERANZE, SE NON DIVERSAMENTE SPECIFICATO (TOLERANCES, UNLESS OTHERWISE SPECIFIED)	DIAM. ISOLANTE (INS. DIA. RANGED)	RANGO FILO (WIRE RANGED)	SCALA (SCALE)
± 0.3	1.5-2.4 DIA	0.5-1.5mm ²	4:1

ANGOLI (ANGLES) ± 2°

AMP AMP ITALIA S.p.A.
Corso F.lli Cervi, 15
COLLENO (TORINO)

DESCRIZIONE (DESCRIPTION) .250 SRS. FLAG FASTON REC. CONTACT

REV. (REV.)	REVISIONI (REVISION RECORD)	DIS. DATA (DATE)	LOC. (LOC.)	SIZE (SIZE)	NUMERO (COMP. NO.)	(MASTER DWG.)	REV. (REV.)	FOLIO (SHEET)
A	IN PRODUZIONE (ECN I-2903)	C.J. 8-6-91	I	A3	C-282181	D1	1	1

1 4 OBSOLETE

2 5 OBSOLETE PARTS: OBSOLETE CIS STREAMLINING PER D.RENAUD/D.SINISI

DISTRIBUZIONE (PRINT DIST.)