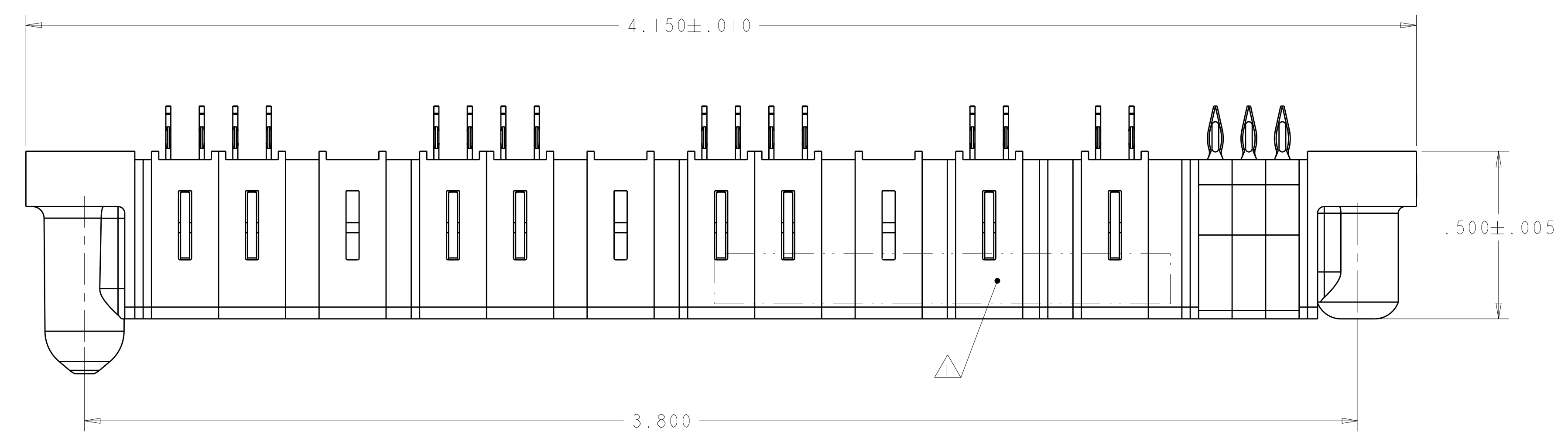
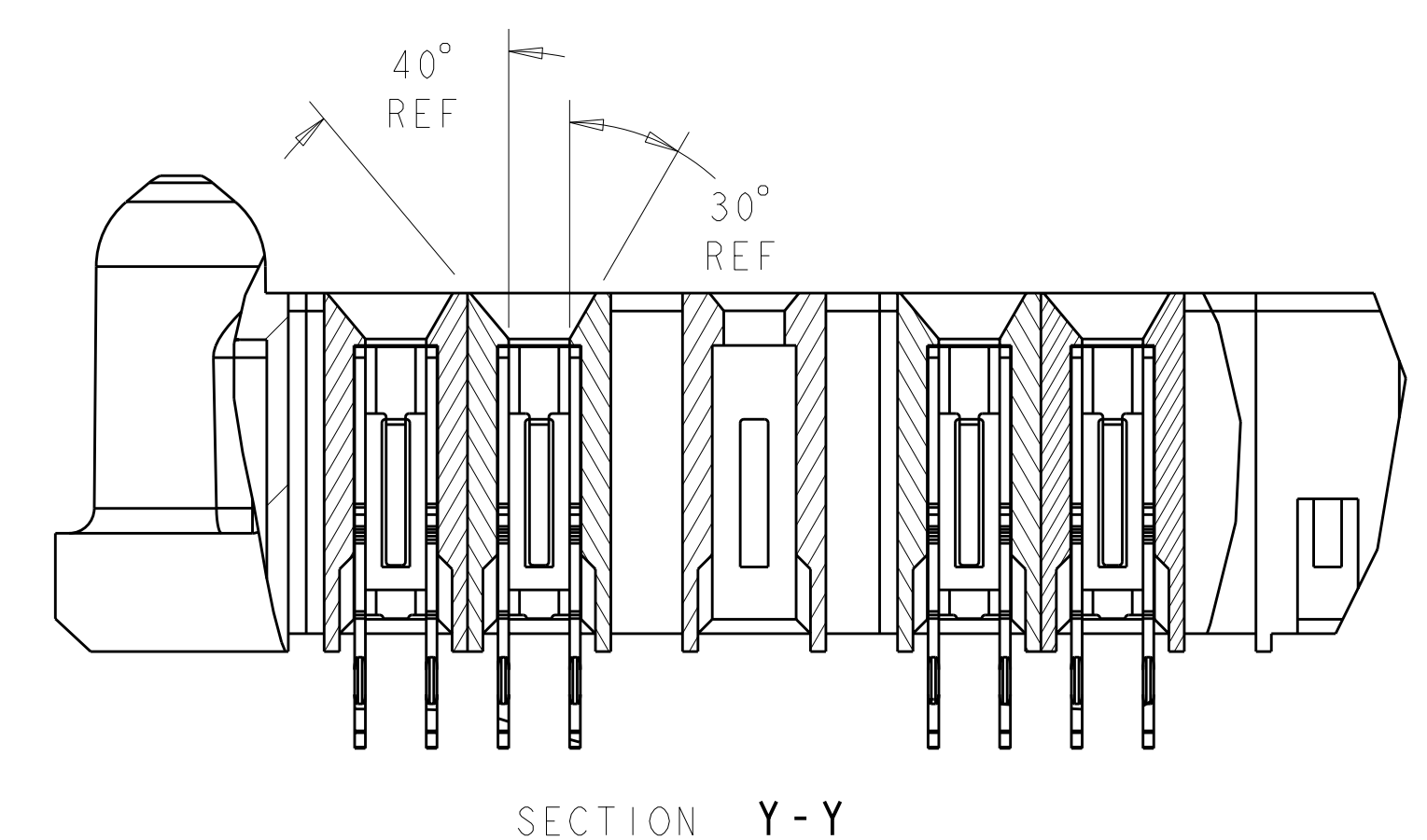
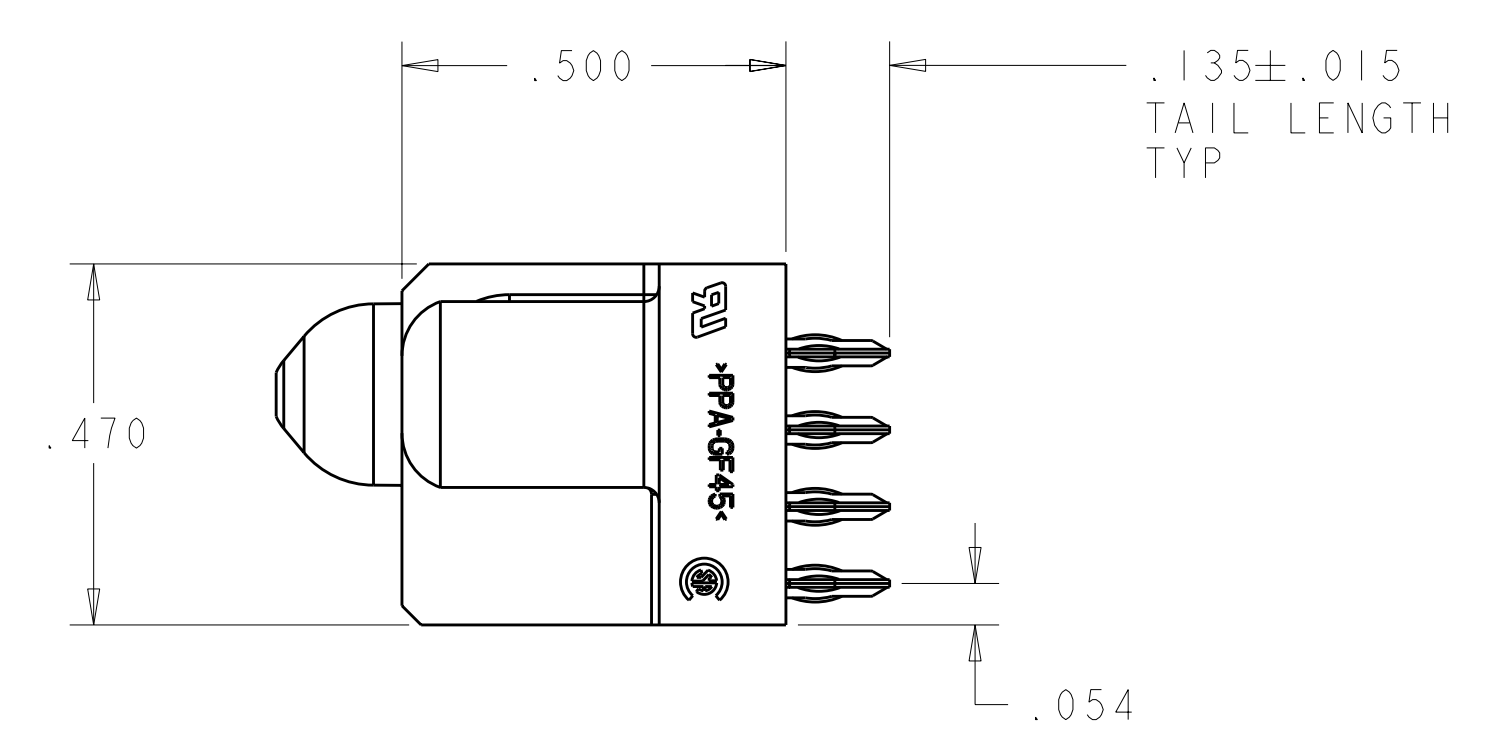
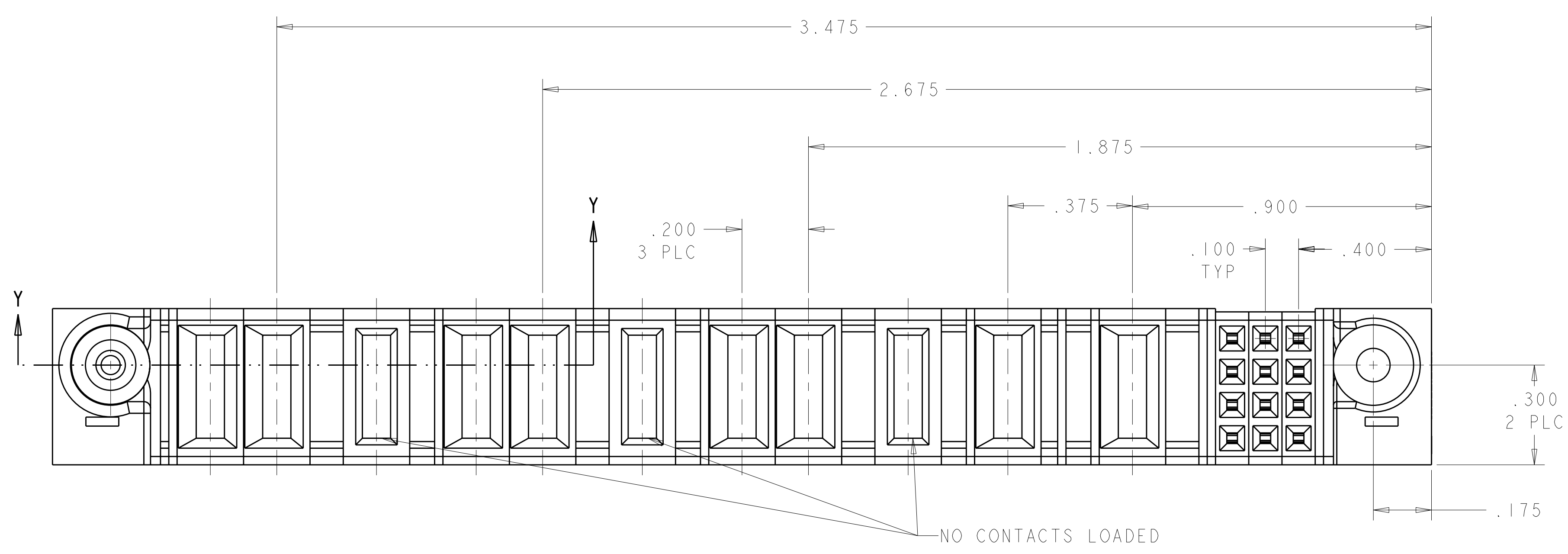


LOC	DIST	REV	DATE	BY	APPD
ES	00	A	25JUL2008	CZ	SY



- ⚠ "AMP", PART NUMBER, AND DATE CODE TO BE MARKED IN AREA SHOWN
- ⚠ MATERIAL: HOUSING - GLASS FILLED HIGH TEMP THERMO PLASTIC, UL94 V-0
 SIGNAL CONTACT - HIGH CONDUCTIVITY COPPER ALLOY
 POWER CONTACT - HIGH CONDUCTIVITY COPPER ALLOY
- ⚠ CONTACT PLATING: SIGNAL CONTACTS - .000050 MIN Ni UNDER ALL
 .000030 MIN Au ON CONTACT AREA
 .000100 MIN Sn AT PCB INTERFACE
 POWER CONTACTS - .000050 MIN Ni UNDER ALL
 .000030 MIN Au ON CONTACT AREA
 .000100 MIN Sn AT PCB INTERFACE
- ⚠ MECHANICAL CONNECTOR KEEP OUT ZONE
- ⚠ DATUM AND BASIC DIMENSIONS ESTABLISHED BY CUSTOMER
- ⚠ PCB - ALL HOLE DIAMETERS ARE FINISHED HOLE SIZES
- ⚠ PCB - .0453 ± .0010 DRILLED HOLES PLATED WITH .0003 MIN Sn OVER
 .001 TO .003 CU PLATING TO ACHIEVE A .040 DIA HOLE



NO CONTACTS LOADED

12S + IIP	1888120-2
DESCRIPTION	PART NUMBER

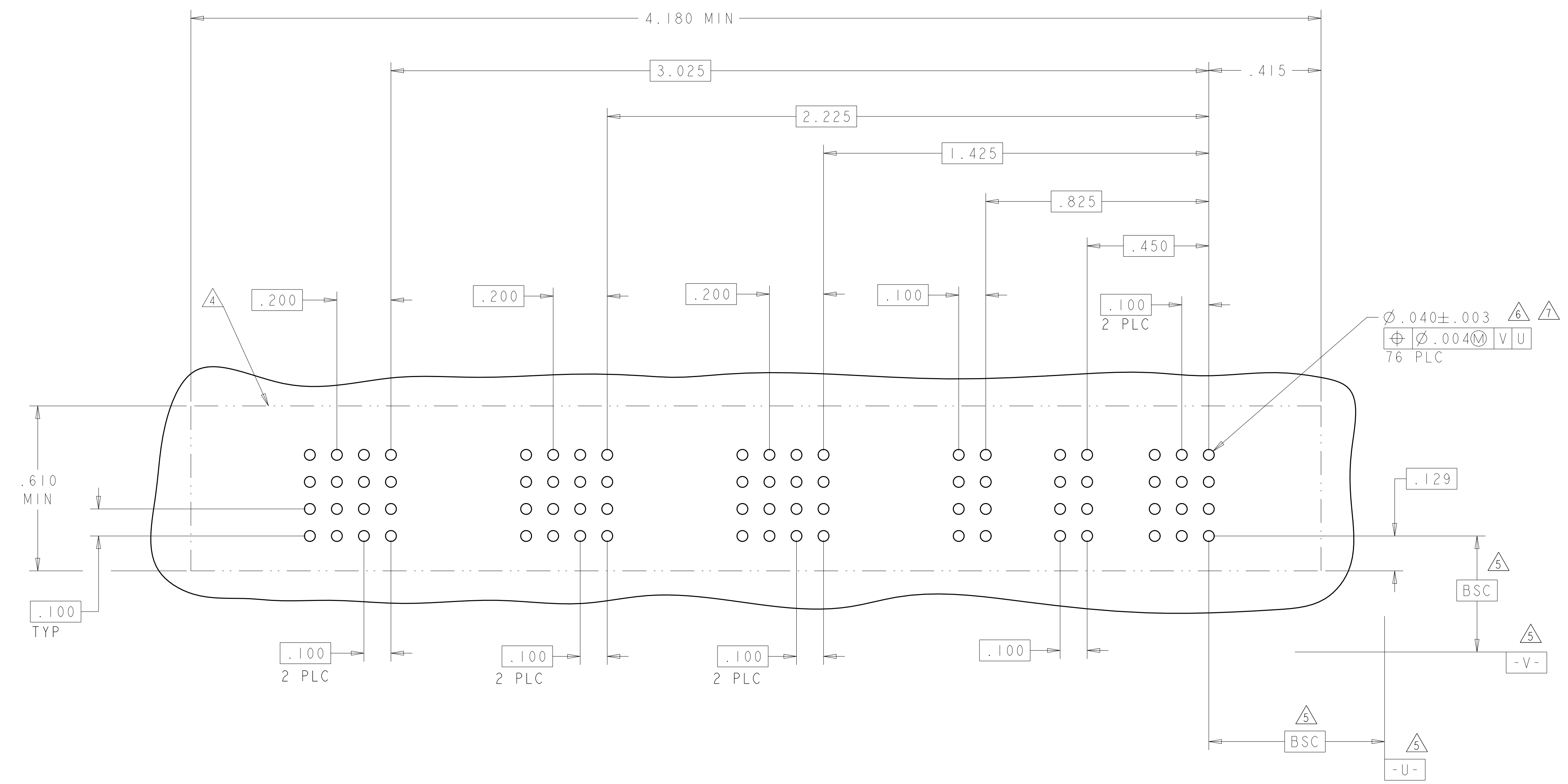
DIMENSIONS: INCHES 9 PLC ±.01 1 PLC ±.01 2 PLC ±.01 3 PLC ±.005 4 PLC ±.0020 ANGLES #2		TOLERANCES UNLESS OTHERWISE SPECIFIED: 9 PLC ±. 1 PLC ±.01 2 PLC ±.01 3 PLC ±.005 4 PLC ±.0020 ANGLES #2		DWN C. ZHOU 29FEB2008 CHK S. ZHAO 29FEB2008 APVD S. YAO PRODUCT SPEC 108-1973 APPLICATION SPEC 114-13038 WEIGHT CUSTOMER DRAWING		Tyco Electronics Tyco Electronics incorporation Shanghai, P.R.China, 200233	
VERTICAL RECEPTACLE ASSEMBLY WITH LEFT SHORTENED GUIDE, PRESS FIT, MULTI-BEAM XL				SIZE CAGE CODE DRAWING NO A1100779C=1888120-2		RESTRICTED TO	
SCALE 4:1 SHEET 1 OF 2 REV A				SHEET 1 OF 2 REV A		SHEET 1 OF 2 REV A	

LOC	DIST	REV	DATE	BY	APPD
ES	00				

REV	DATE	DESCRIPTION	BY	APPD
-	-	SEE SHEET 1	-	-

PART NUMBER	ROWS	POWER										SIGNAL						
		P11	P10	P9	P8	P7	P6	P5	P4	P3	P2	P1	3	2	1			
1888120-2	D C B A	GS	GS		GS	GS		GS	GS		GS	GS		GS	GS	AP	AP	AP
																AP	AP	AP
																AP	AP	AP
																AP	AP	AP
12S + 11P																		

NO CONTACTS LOADED



CODE	DESCRIPTION
GS	POWER CONTACT, STD
AP	SIGNAL CONTACT

CONTACT TABLE

<small>THIS DRAWING IS UNPUBLISHED. RELEASED FOR PUBLICATION. COPYRIGHT 20 BY TYCO ELECTRONICS CORPORATION. ALL RIGHTS RESERVED.</small>		DWN: C. ZHOU 29FEB2008 CHK: S. ZHAO 29FEB2008 APVD: S. YAO	Tyco Electronics Corporation Shanghai, P.R.China, 200233
DIMENSIONS: INCHES TOLERANCES UNLESS OTHERWISE SPECIFIED: 9 PLC ±.01 5 PLC ±.005 4 PLC ±.0020 ANGLES #2	PRODUCT SPEC: 108-1973 APPLICATION SPEC: 114-13038 WEIGHT: - FINISH: -	NAME: S. YAO SIZE: A CAGE CODE: 1100779 DRAWING NO: C=1888120-2 SCALE: 4:1 SHEET: 2 OF 2 REV: A	CUSTOMER DRAWING