

16.1	14.3	10.65	9.5	52746-2070	52746-2019	20
15.6	13.8	10.15	9.0	-1970	-1919	19
15.1	13.3	9.65	8.5	-1870	-1819	18
14.6	12.8	9.15	8.0	-1770	-1719	17
14.1	12.3	8.65	7.5	-1670	-1619	16
13.6	11.8	8.15	7.0	-1570	-1519	15
13.1	11.3	7.65	6.5	-1470	-1419	14
12.6	10.8	7.15	6.0	-1370	-1319	13
12.1	10.3	6.65	5.5	-1270	-1219	12
11.6	9.8	6.15	5.0	-1170	-1119	11
11.1	9.3	5.65	4.5	-1070	-1019	10
10.6	8.8	5.15	4.0	-0970	-0919	9
10.1	8.3	4.65	3.5	-0870	-0819	8
9.6	7.8	4.15	3.0	-0770	-0719	7
9.1	7.3	3.65	2.5	-0670	-0619	6
8.1	6.3	2.65	1.5	52746-0470	52746-0419	4
D	C	B	(A)	EMBOSSSED TAPE ORDER No. オーダー番号		極数 CIRCUITS
				52746-**19		MODEL NO.

GENERAL TOLERANCES (UNLESS SPECIFIED)	
10 <sup>UNDER</sup>	±0.2
10 <sup>OVER</sup> 30 <sup>UNDER</sup>	±0.25
30 <sup>OVER</sup>	±0.3
ANGULAR	±3°

THIS DRAWING CONTAINS INFORMATION THAT IS PROPRIETARY TO MOLEX ELECTRONIC TECHNOLOGIES, LLC AND SHOULD NOT BE USED WITHOUT WRITTEN PERMISSION

mm NTS

GENERAL TOLERANCES (UNLESS SPECIFIED)

ANGULAR TOL ± 3.0°

4 PLACES ± 0.2

3 PLACES ± 0.25

2 PLACES ± 0.3

1 PLACE ±

0 PLACES ±

DRAFT WHERE APPLICABLE MUST REMAIN WITHIN DIMENSIONS

THIRD ANGLE PROJECTION

DRAWING A3-SIZE

SERIES 52746

EC NO: 719890

DRWN: NARENC 2022/08/24

CHK'D: SMARUYAMA 2022/09/05

APPR: YNAITO 2022/09/05

INITIAL REVISION:

DRWN: MNABEI 2008/06/27

APPR: NUKITA 2008/06/30

DOCUMENT NUMBER SD-52746-028

DOC TYPE PSD

DOC PART 001

REVISION F

MATERIAL NUMBER

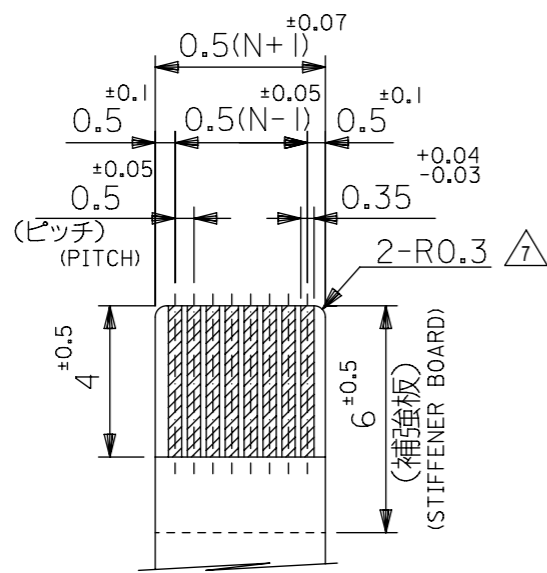
CUSTOMER GENERAL MARKET

SHEET NUMBER 1 OF 2

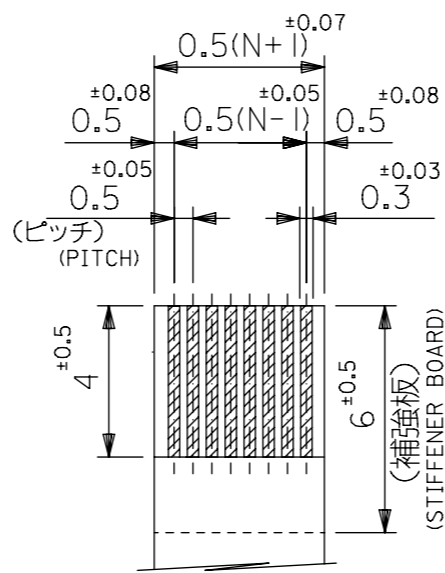
**molex**

0.5 FPC CONN. ZIF SMT  
R/A -LEAD FREE-

PRODUCT CUSTOMER DRAWING



適合FPC推奨寸法  
 APPLICABLE FPC  
 RECOMMENDED DIMENSION.  
 (仕上がり厚さ:  $0.3 \pm 0.05$ )  
 (THICKNESS:  $0.3 \pm 0.05$ )



適合FFC推奨寸法  
 APPLICABLE FFC  
 RECOMMENDED DIMENSION.  
 (仕上がり厚さ:  $0.3 \pm 0.05$ )  
 (THICKNESS:  $0.3 \pm 0.05$ )

注記 NOTES

1. 使用材料 MATERIAL

ハウジング : 46ナイロン、UL94V-0  
 HOUSING 46NYLON

アクチュエータ : PPS、UL94V-0  
 ACTUATOR

ターミナル : リン青銅(+0.2) ニッケル下地・錫ビスマスメッキ  
 TERMINAL PHOS-BRO,TIN-BITHMUS OVER NICKEL PLATED

金具 : リン青銅(+0.2) ニッケル下地、錫メッキ  
 FITTING NAIL PHOS-BRO,TIN OVER NICKEL PLATED

2. エンボステープ梱包時は、アクチュエータがロックした状態とする。  
 IN THE PACKAGE,ACTUATOR OF PART NO.52746-\*\*-19 SHOULD BE LOCKED.

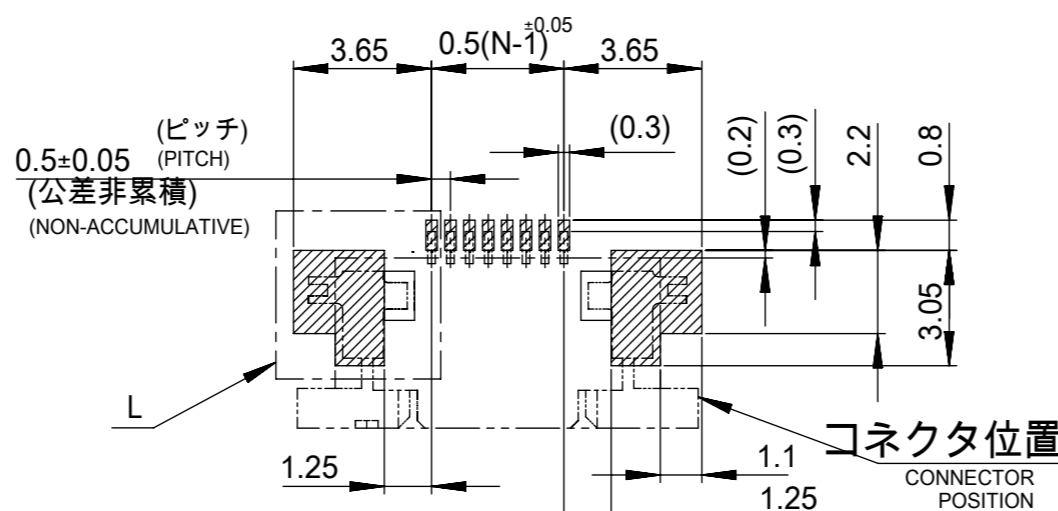
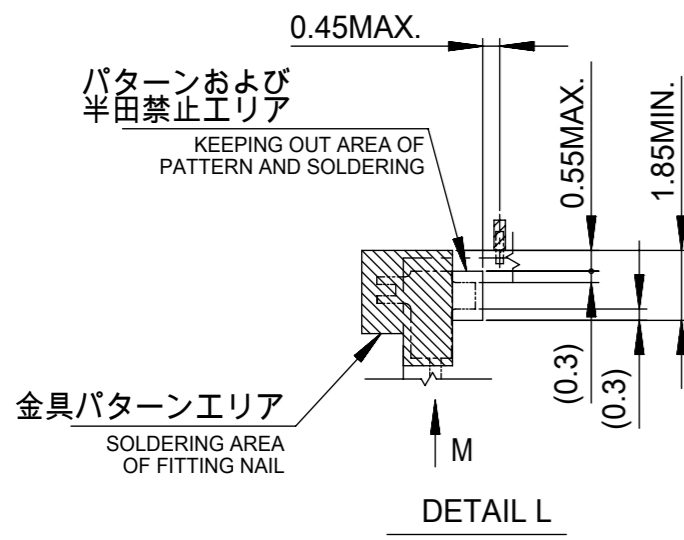
△3 ソルダータール半田付け面のズレ量、及び金具半田付け面のズレ量は、基準面 H に対し上方向 0.1MAX. 下方向 0.15MAX. とする。  
 MISALIGNMENT OF SOLDER TAILS AND FITTING NAILS FROM H UPPER DIRECTION: 0.1 MAX. , LOWER DIRECTION: 0.15MAX.

△4 偶数極に適用。  
 APPLY FOR EVEN CIRCUIT.

△5 パターンはくり止め用金具  
 FITTING NAIL FOR PREVENTION OF PEELING OF P.C.B. PATTERN.

6 本製品は 52746-\*\*-17 の鉛フリー品です。  
 THIS PRODUCT IS LEAD FREE OF 52746-\*\*-17

△7 R0.3 は、FPC の導体部にかからないこと。  
 R0.3 MUST NOT BE OVERLAPPED TO PATTERN OF FPC.



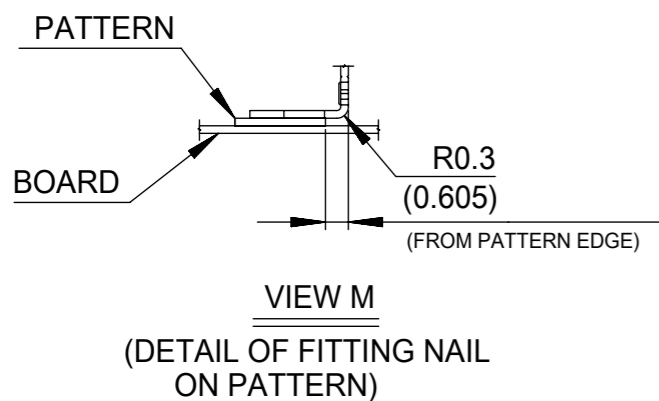
参考基板レイアウト  
 (マウント面)

RECOMMENDED P.C. BOARD  
 PATTERN DIMENSION (REF.)  
 (MOUNTING SIDE)

FPCについて:

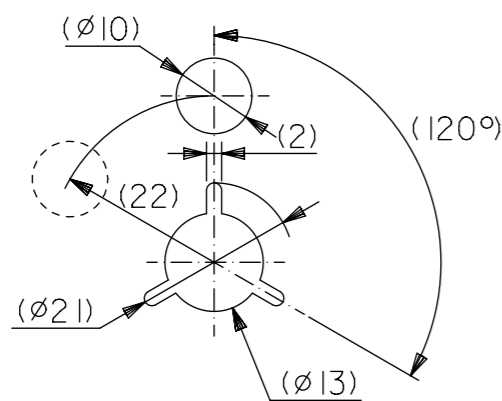
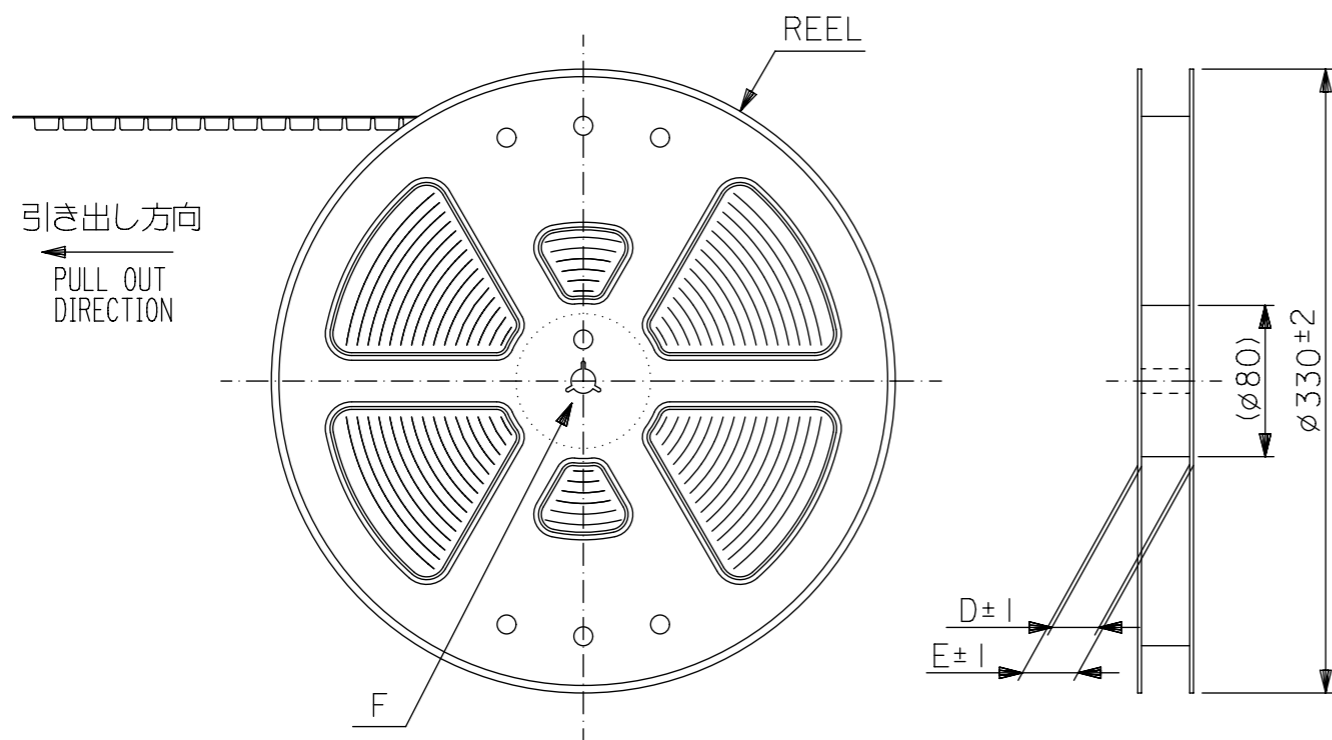
打抜き方向は導体側から補強板を推奨致します。  
 補強フィルム材質はポリイミドを推奨致します。  
 接着剤は熱硬化接着剤を推奨致します。

ABOUT FPC:  
 RECOMMENDED PUNCHER DIRECTION : FROM CONDUCTOR SIDE TO STIFFENER BOARD SIDE.  
 RECOMMENDED MATERIAL :  
 STIFFENER FILM : POLYIMIDE  
 BONDING AGENT : THERMOSETTING BONDING AGENT



VIEW M  
 (DETAIL OF FITTING NAIL ON PATTERN)

THIS DRAWING CONTAINS INFORMATION THAT IS PROPRIETARY TO MOLEX ELECTRONIC TECHNOLOGIES, LLC AND SHOULD NOT BE USED WITHOUT WRITTEN PERMISSION		52746-**-19		MODEL NO.	
DIMENSION UNITS	SCALE	CURRENT REV DESC.			
mm	NTS				
GENERAL TOLERANCES (UNLESS SPECIFIED)		molex			
ANGULAR TOL ± 3.0°		0.5 FPC CONN. ZIF SMT R/A -LEAD FREE-			
4 PLACES ± 0.2		PRODUCT CUSTOMER DRAWING			
3 PLACES ± 0.25		DOCUMENT NUMBER			
2 PLACES ± 0.3		SD-52746-028			
1 PLACE ±		DOC TYPE			
0 PLACES ±		PSD			
DRAFT WHERE APPLICABLE MUST REMAIN WITHIN DIMENSIONS		THIRD ANGLE PROJECTION		DOC PART	
		DRAWING		001	
		SERIES		REVISION	
		A3-SIZE		F	
		52746		SHEET NUMBER	
				2 OF 2	



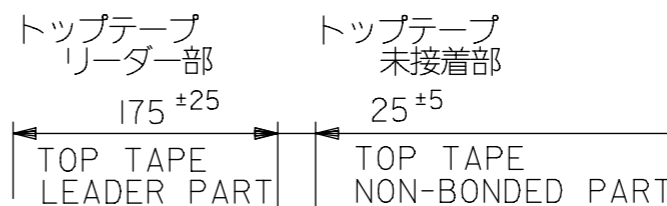
DETAIL F

注記 NOTES

1. 製品番号 52746-\*\*19 の梱包状態はアクチュエータがロックした状態とする。  
 詳細寸法については図面 SD-52746-028 を参照下さい。  
 IN THE PACKAGE,ACTUATOR OF PART NO.52746-\*\*19 SHOULD BE LOCKED  
 RE DETAILED DIMENSIONS,SEE SD-52746-028.

2. 梱包数量：1000個/リール  
 NUMBER OF CONNECTORS:1000PCS/REEL

3. リードテープ長さ LEAD TAPE LENGTH



4. 材料 キャリアテープ：ポリプロピレン (PP)  
 トップテープ：PET, PE, PEF  
 リール：ポリスチレン (PS) <リサイクル材を含む>

MATERIAL CARRIER TAPE:POLYPROPYLENE  
 TOP TAPE:PET,PE,PEF  
 REEL:POLYSTYREN(PS)  
 <RECYCLE MATERIAL CONTAINED>

5. 本製品は 52746-\*\*90 の鉛フリー品です

THIS PRODUCT IS LEAD FREE OF 52746-\*\*90

6.本製品は乾燥剤入り、ハイバリア梱包仕様である。  
 THIS PRODUCT IS HIGH BARRIER PACKAGE WITH DESICCANT.

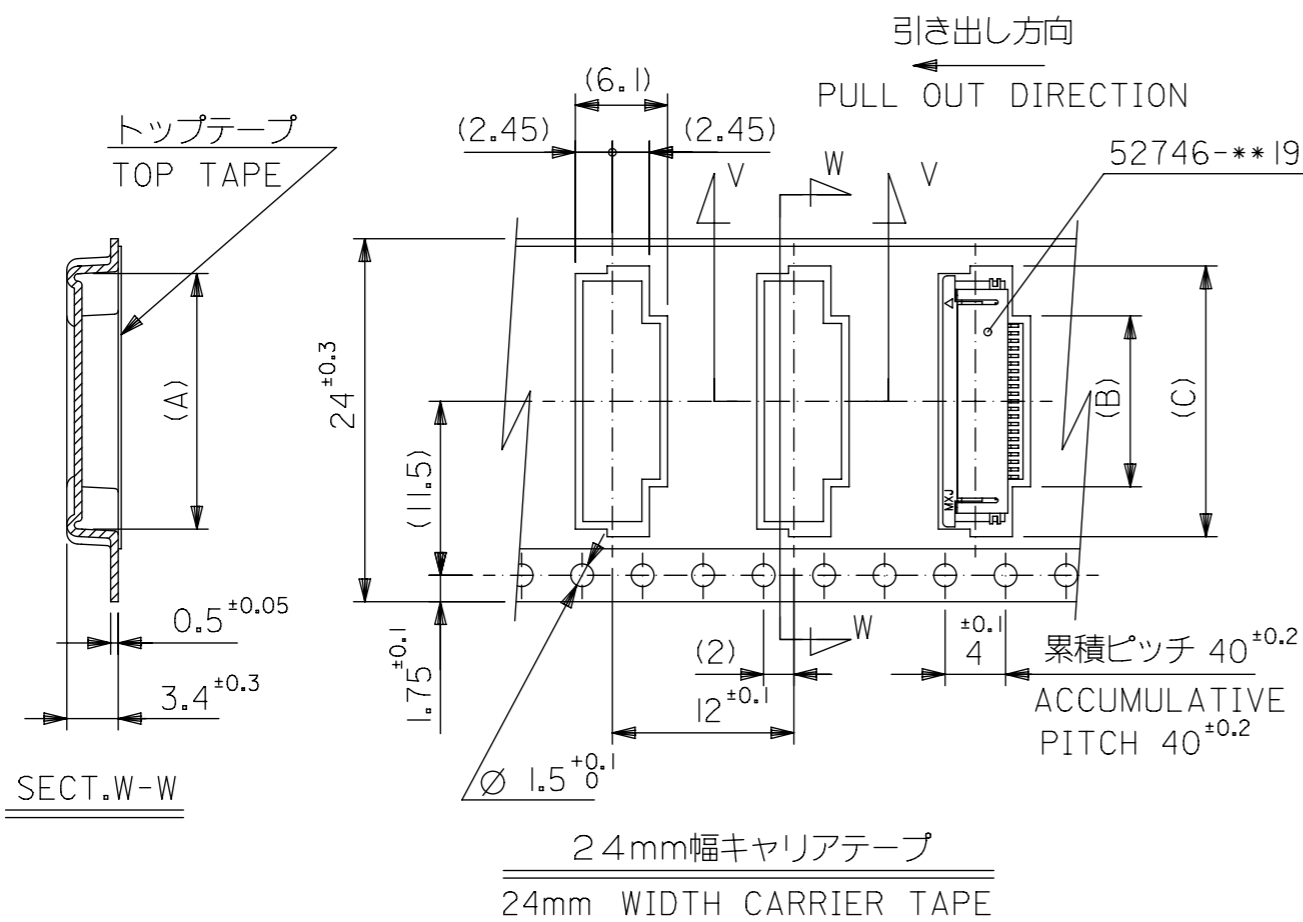
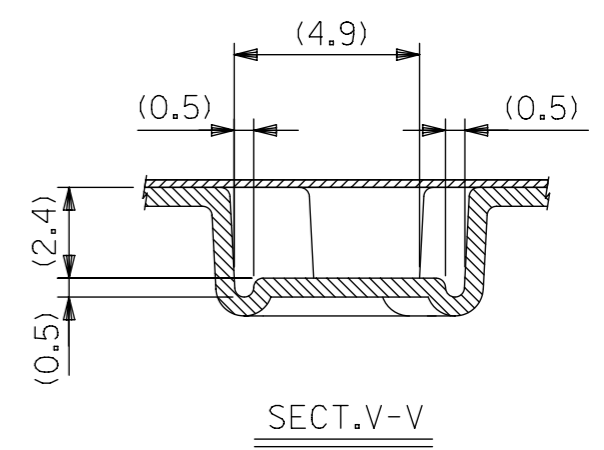
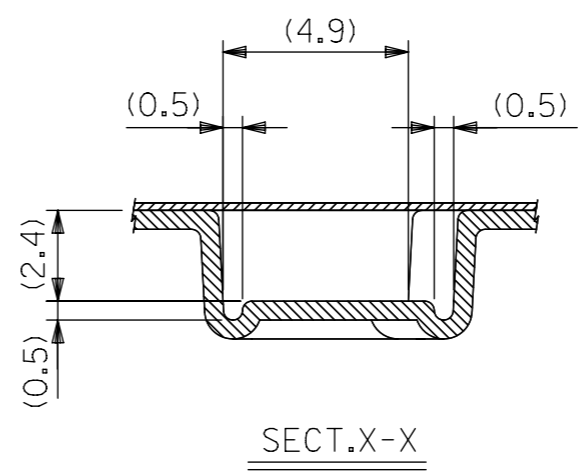
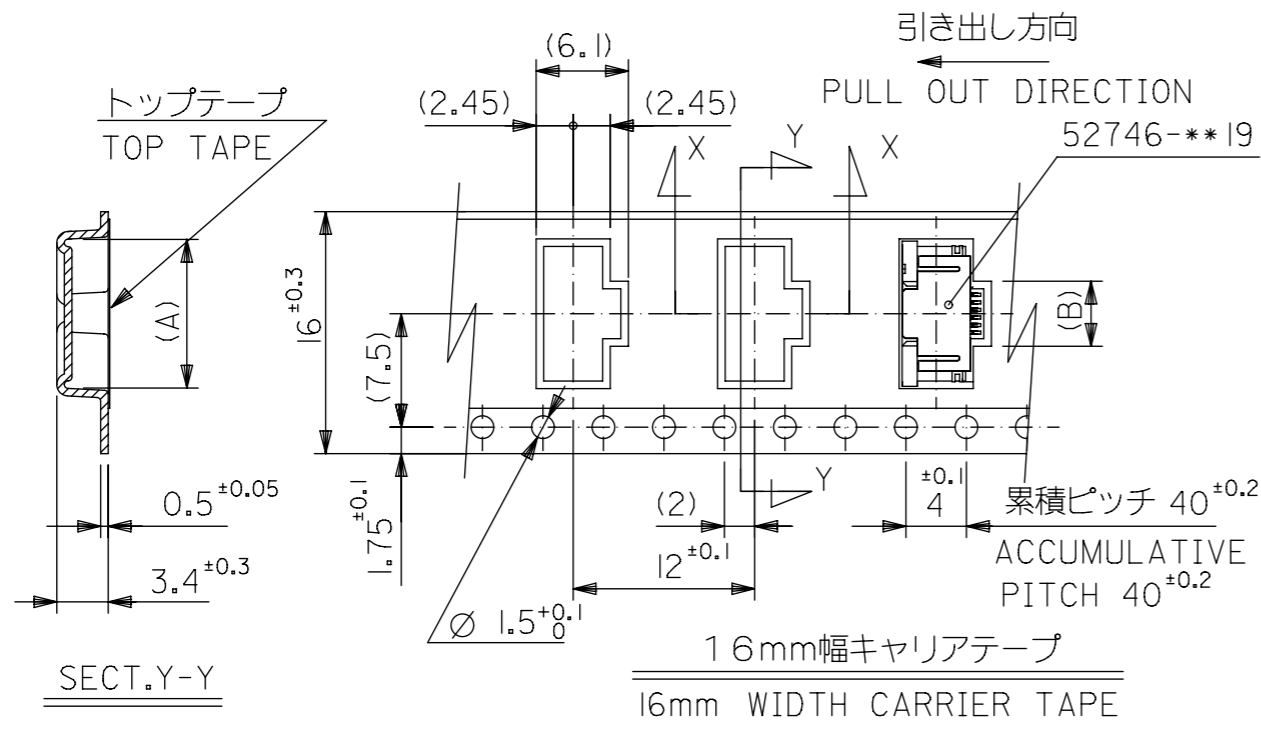
52746-\*\*70

MODEL NO.

THIS DRAWING CONTAINS INFORMATION THAT IS PROPRIETARY TO MOLEX ELECTRONIC TECHNOLOGIES, LLC AND SHOULD NOT BE USED WITHOUT WRITTEN PERMISSION

DIMENSION UNITS	SCALE	CURRENT REV DESC:	
mm	NTS		
GENERAL TOLERANCES (UNLESS SPECIFIED)		molex	
ANGULAR TOL ± °		0.5 FPC CONN ZIF SMT RA -LEAD FREE-	
4 PLACES ±		PRODUCT CUSTOMER DRAWING	
3 PLACES ±		DOCUMENT NUMBER	
2 PLACES ±		SD-52746-029	
1 PLACE ±		DOC TYPE	
0 PLACES ±		PSD	
DRAFT WHERE APPLICABLE MUST REMAIN WITHIN DIMENSIONS		DOC PART	
THIRD ANGLE PROJECTION		003	
DRAWING		REVISION	
A3-SIZE		E	
SERIES		SHEET NUMBER	
52746		1 OF 2	
MATERIAL NUMBER		CUSTOMER	
SEE TABLE		GENERAL MARKET	

GENERAL TOLERANCES (UNLESS SPECIFIED)	
10 <sup>UNDER</sup>	±0.2
10 <sup>OVER</sup> 30 <sup>UNDER</sup>	±0.25
30 <sup>OVER</sup>	±0.3
ANGULAR	±3°



24	29.4	25.4	17.4	10.8	16.4	52746-2070	20
			16.9	10.3	15.9	-1970	19
			16.4	9.8	15.4	-1870	18
			15.9	9.3	14.9	-1770	17
			15.4	8.8	14.4	-1670	16
			14.9	8.3	13.9	-1570	15
			14.4	7.8	13.4	-1470	14
			13.9	7.3	12.9	-1370	13
			13.4	6.8	12.4	-1270	12
			12.9	6.3	11.9	-1170	11
			12.4	5.8	11.4	-1070	10
			11.9	5.3	10.9	-0970	9
11.4	4.8	10.4	-0870	8			
10.9	4.3	9.9	-0770	7			
10.4	3.8	9.4	-0670	6			
16	21.4	17.4	2.8	8.4	52746-0470	4	
キャリアテープ幅 CARRIER TAPE WIDTH	E	D	(C)	(B)	(A)	MATERIAL NO.	極数 CIRCUITS

52746-\*\*-70 MODEL NO.

<b>GENERAL TOLERANCES (UNLESS SPECIFIED)</b> 10 <sup>UNDER</sup> ±0.2 10 <sup>OVER</sup> 30 <sup>UNDER</sup> ±0.25 30 <sup>OVER</sup> ±0.3 ANGULAR ±3°		THIS DRAWING CONTAINS INFORMATION THAT IS PROPRIETARY TO MOLEX ELECTRONIC TECHNOLOGIES, LLC AND SHOULD NOT BE USED WITHOUT WRITTEN PERMISSION. DIMENSION UNITS: mm SCALE: NTS CURRENT REV DESC: EC NO: 719890 DRWN: NARENC 2022/08/24 CHK'D: SMARUYAMA 2022/09/05 APPR: YNAITO 2022/09/05 INITIAL REVISION: DRWN: MNABEI 2008/06/27 APPR: NUKITA 2008/06/30		 0.5 FPC CONN ZIF SMT RA -LEAD FREE- PRODUCT CUSTOMER DRAWING	
DOCUMENT STATUS: P1 RELEASE DATE: 2022/09/05 05:51:56		DRAFT WHERE APPLICABLE MUST REMAIN WITHIN DIMENSIONS THIRD ANGLE PROJECTION DRAWING: A3-SIZE SERIES: 52746		DOCUMENT NUMBER: SD-52746-029 DOC TYPE: PSD DOC PART: 003 REVISION: E MATERIAL NUMBER: SEE TABLE CUSTOMER: GENERAL MARKET SHEET NUMBER: 2 OF 2	