

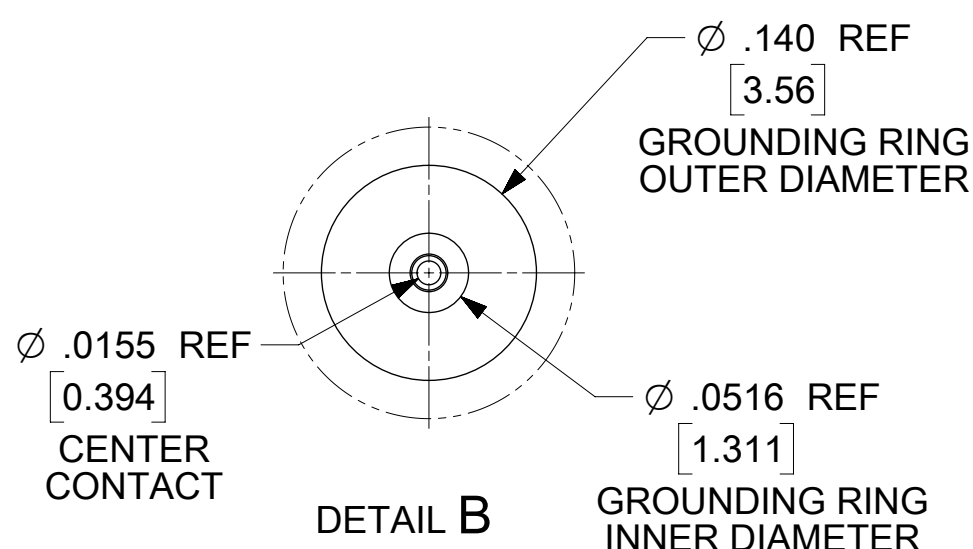
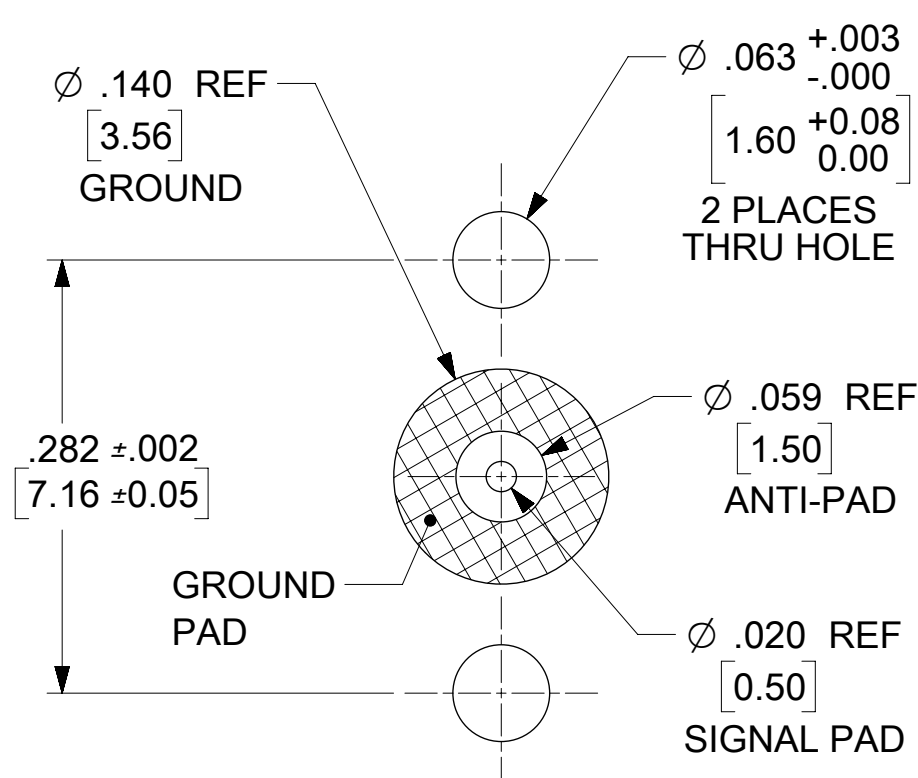
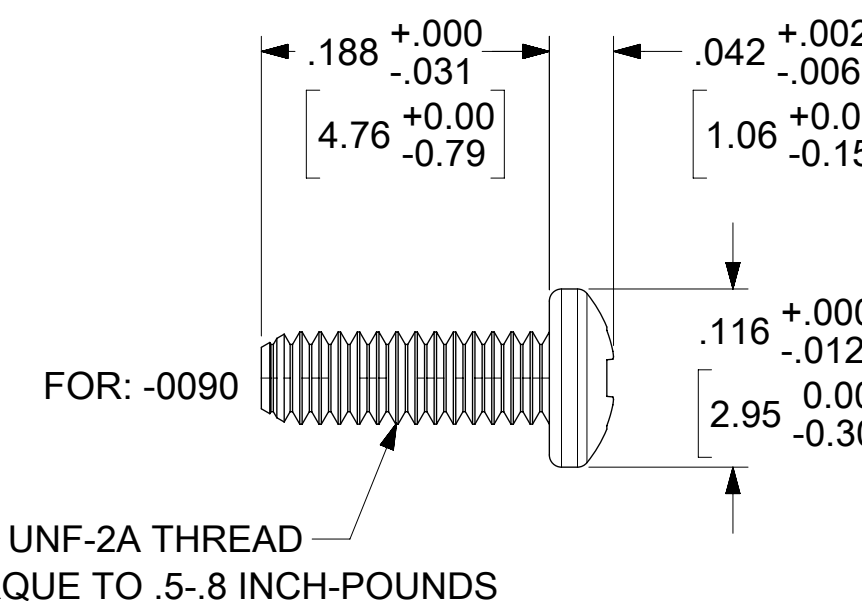
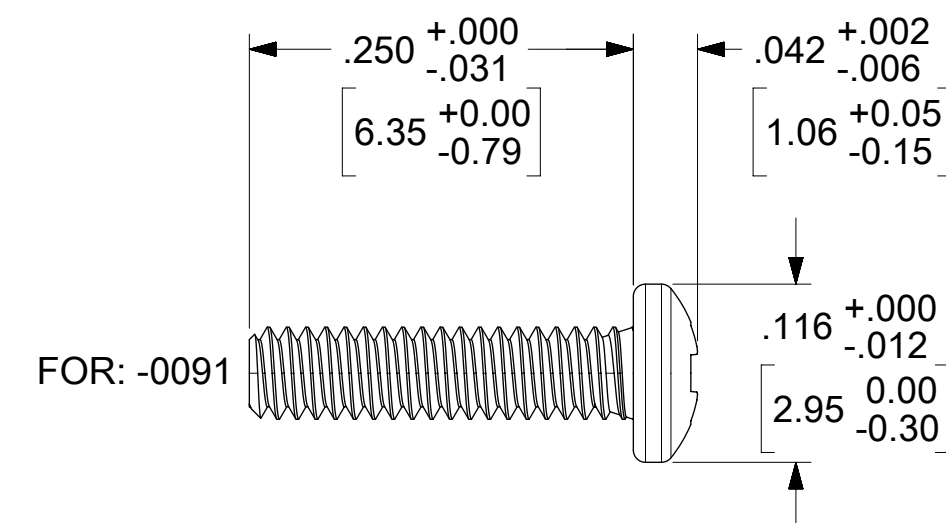
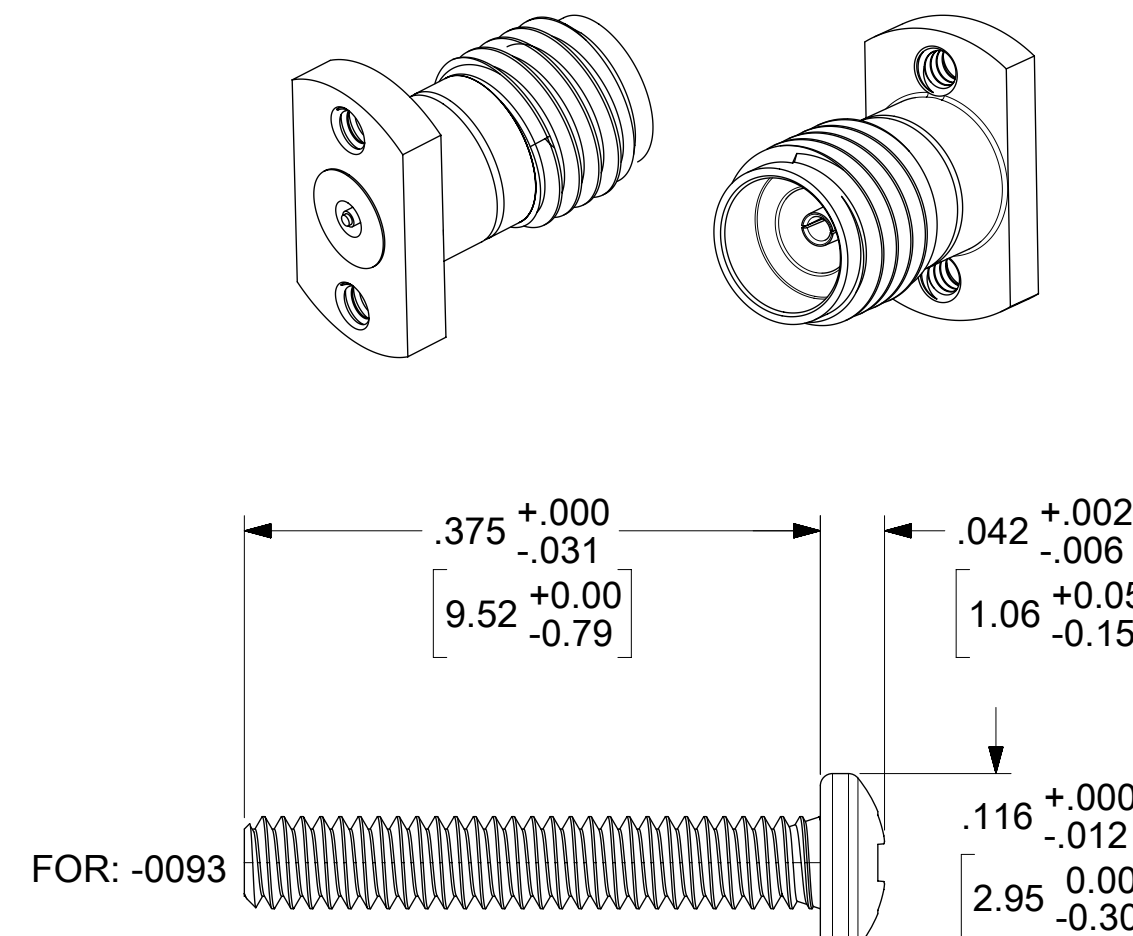
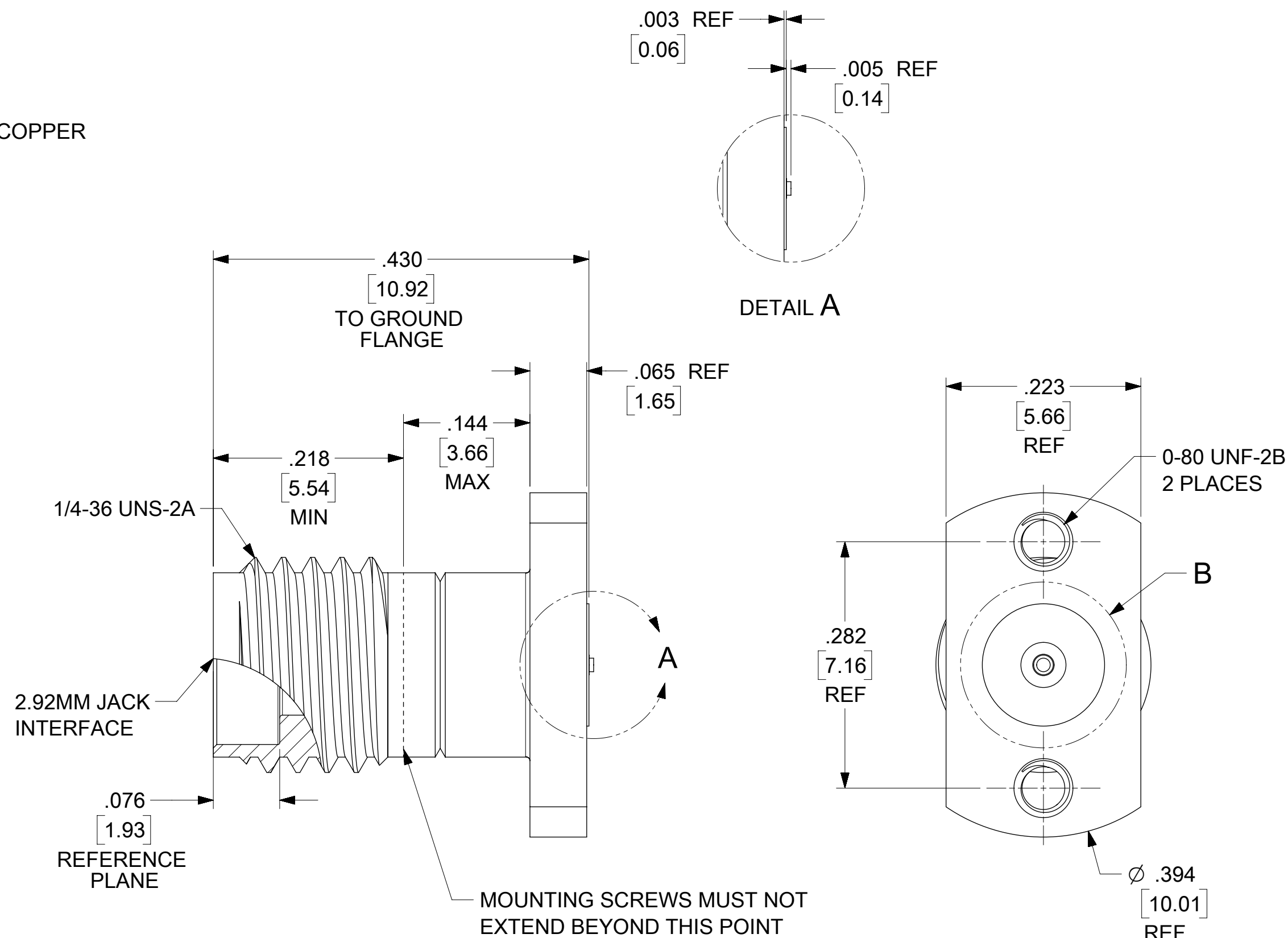
MATERIALS AND FINISHES:

BODY: STAINLESS STEEL
PLATED: PASSIVATED

CENTER CONTACT: BERYLLIUM COPPER
PLATED: GOLD (30μ-in) MIN
OVER NICKEL (100μ-in) MIN.

INSULATOR: PTFE

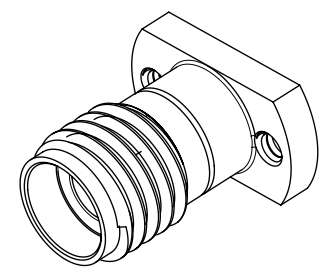
SCREW: STAINLESS STEEL
PLATED: PASSIVATED



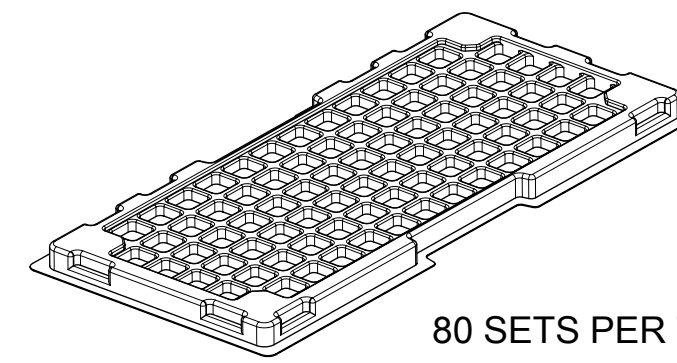
NOTE:
PATENT PENDING

73252-0093	WITH TWO .375/9.52 SCREWS	.170(4.32) TO .295(7.50)
73252-0092	NO SCREWS	
73252-0091	WITH TWO .250/6.35 SCREWS	.070(1.78) TO .165(4.19)
73252-0090	WITH TWO .188/4.76 SCREWS	.030(0.76) TO .096(2.44)
PART NO.	DESCRIPTION	PCB THICKNESS IN(MM)
RELEASE STATUS	P1	RELEASE DATE 06.07.2017 13:47:00

QUALITY SYMBOLS	THIS DRAWING CONTAINS INFORMATION THAT IS PROPRIETARY TO MOLEX ELECTRONIC TECHNOLOGIES, LLC AND SHOULD NOT BE USED WITHOUT WRITTEN PERMISSION				DIMENSION UNITS INCH	SCALE	molex
	F = 0 F = 0 F = 0 ▼ = 0 ▽ = 0 ⊠ = 0 ■ = 0 ▽ = 0	SEE ECM 117632 EC NO: 117632 DRWN: PSWAMI02 CHKD: PSWAMI02 REV APPR: AROBERTSON	2017/06/01 2017/07/04 2017/07/06	GENERAL TOLERANCES (UNLESS SPECIFIED) MM INCH 4 PLACES ± ± 3 PLACES ± ± 0.010 2 PLACES ± 0.25 ± 1 PLACES ± ± 0 PLACES ± ± ANGULAR TOL = 2 DRAFT WHERE APPLICABLE MUST REMAIN WITHIN DIMENSIONS			
SERIES: 73252 MATERIAL NUMBER: SEE TABLE CUSTOMER:		DOCUMENT NUMBER: SD-73252-009 DOC TYPE: PSD DOC PART: 000 SHEET NUMBER: 1 OF 2					

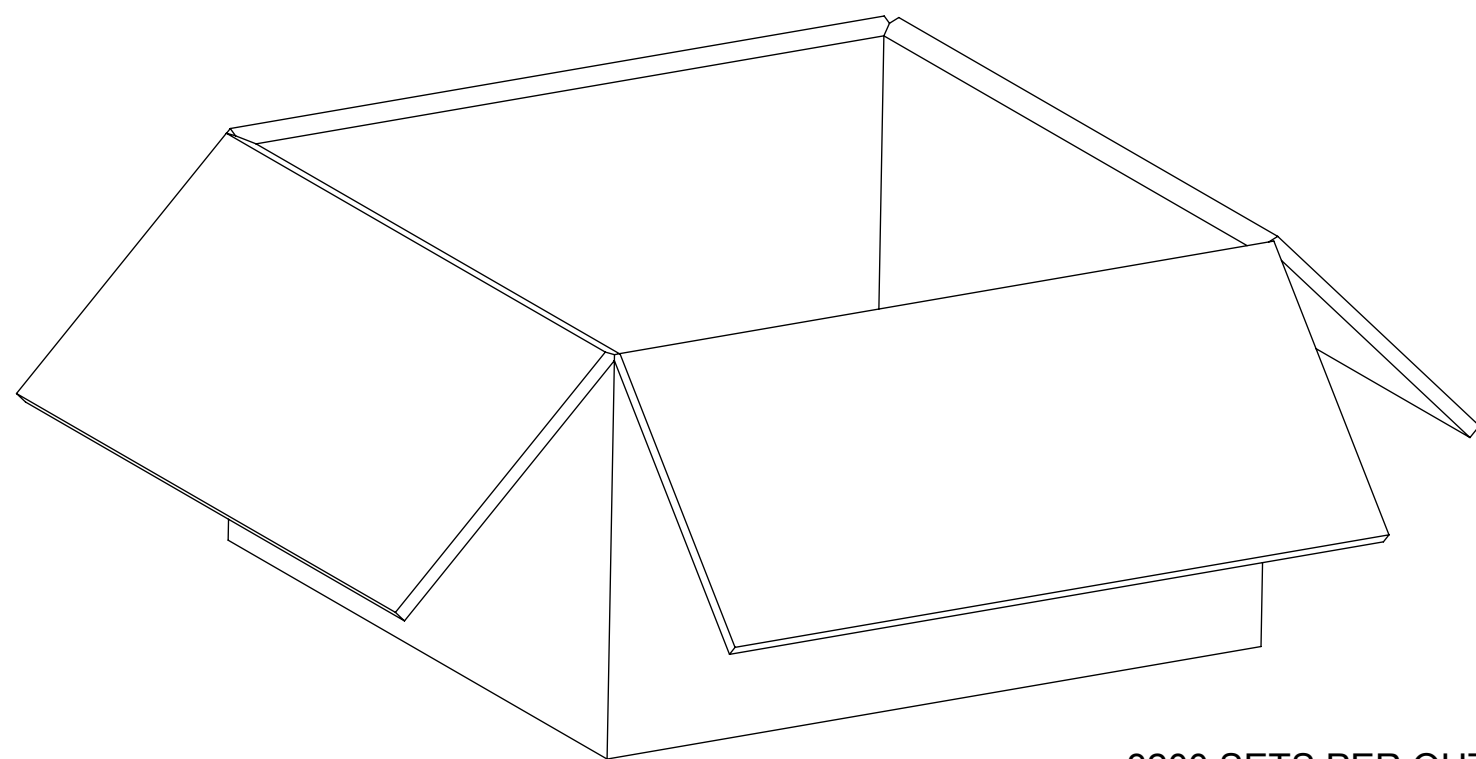


P/N: 73252-0092

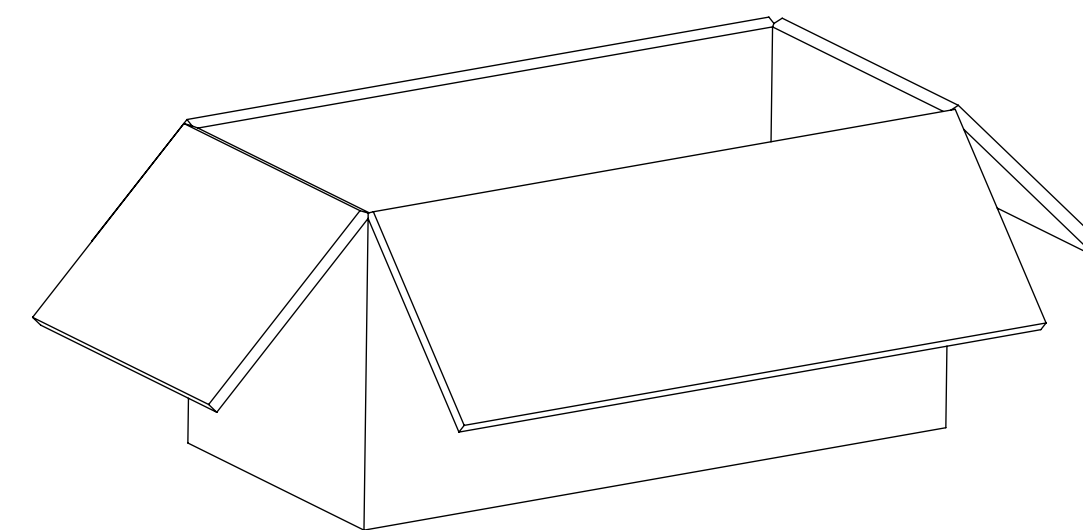


80 SETS PER TRAY
TRAY P/N: 89707-0190

FOR 73252-0092 ONLY



3200 SETS PER OUTER
CARTON BOX
P/N: 96708-0005



1600 SETS PER INNER
CARTON BOX
P/N: 96707-0001

QUALITY SYMBOLS		THIS DRAWING CONTAINS INFORMATION THAT IS PROPRIETARY TO MOLEX ELECTRONIC TECHNOLOGIES, LLC AND SHOULD NOT BE USED WITHOUT WRITTEN PERMISSION												
	= 0	SEE ECM 117632 EC NO: 117632 DRWN: PSWAMI02 CHKD: PSWAMI02 REV APPR: AROBERTSON	GENERAL TOLERANCES (UNLESS SPECIFIED)				DIMENSION UNITS		SCALE					
	= 0		MM		INCH		INCH							
	= 0		4 PLACES		±		±		APRAKASH01		DATE			
	= 0		3 PLACES		±		± 0.010		CHK'D BY		DATE			
	= 0		2 PLACES		±		± 0.25		BBHARADWAJD		DATE			
	= 0		1 PLACES		±		±		APPR BY		DATE			
	= 0	0 PLACES		±		±		AROBERTSON		DATE				
	= 0	ANGULAR TOL = 2				DRAWING SIZE		THIRD ANGLE PROJECTION		PRODUCT CUSTOMER DRAWING				
	= 0	DRAFT WHERE APPLICABLE MUST REMAIN WITHIN DIMENSIONS				C				SERIES: 73252 MATERIAL NUMBER: SEE TABLE CUSTOMER:				
	= 0	B3		REV		APPR		AROBERTSON		DATE		DOCUMENT NUMBER: SD-73252-009 DOC TYPE: PSD DOC PART: 000 SHEET NUMBER: 2 OF 2		