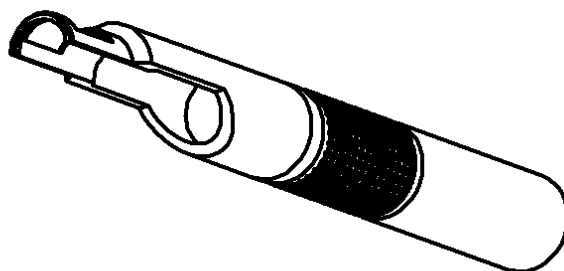
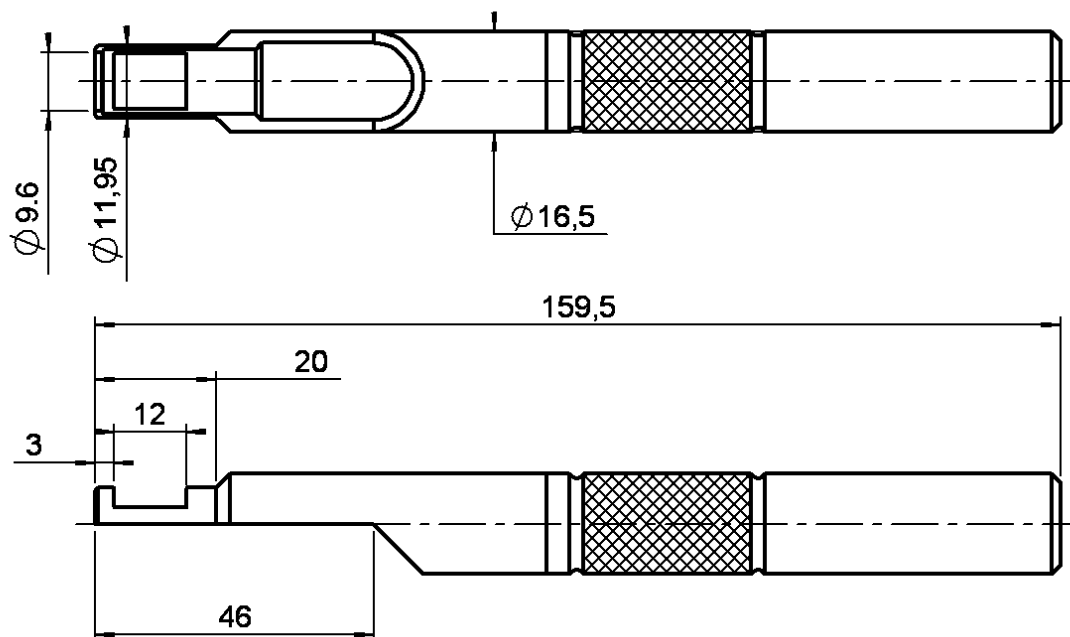


EXTRACTION ASSEMBLY TOOL

R282.868.230

QMA

Series : **OUT**



Issue : 0111 B

In the effort to improve our products, we reserve the right to make changes judged to be necessary.



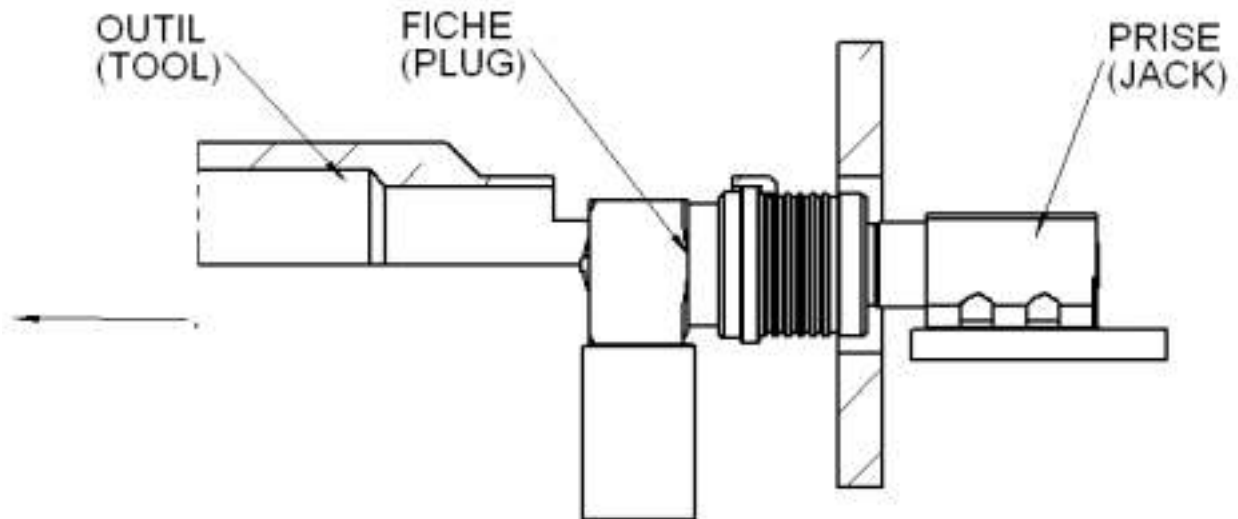
PRELIMINARY

EXTRACTION ASSEMBLY TOOL

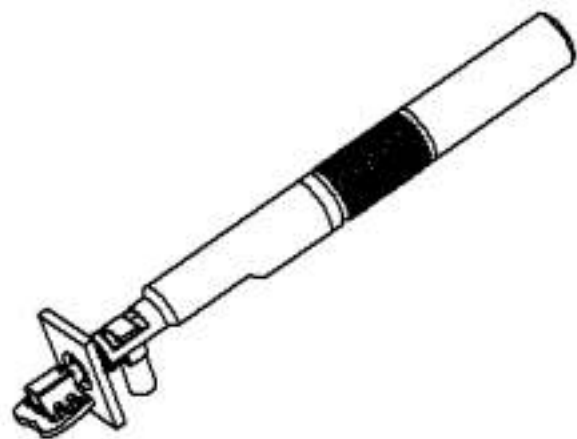
R282.868.230

QMA

Series : OUT



Tirer sur l'outil pour désaccoupler les connecteurs.
(Pull the tool off to disconnect the connectors)

**Issue : 0111 B**

In the effort to improve our products, we reserve the right to make changes judged to be necessary.

