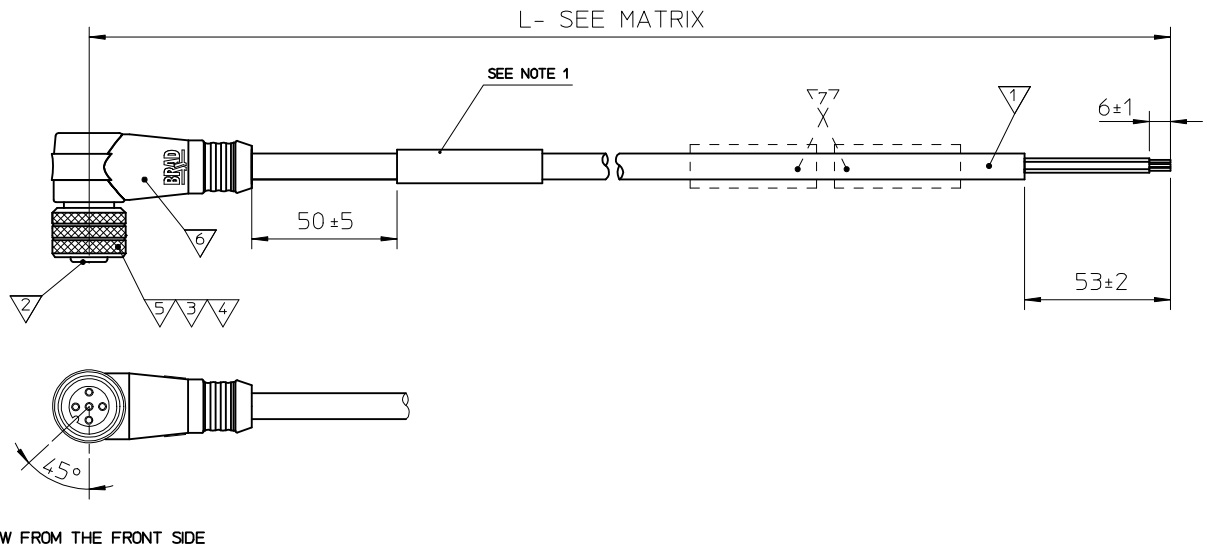


| Over | Up to and including | Tolerance (+) |
|-------|---------------------|---------------|
| 0 | 305 | +19 |
| 305 | 915 | +45 |
| 915 | 1830 | +56 |
| 1830 | 3660 | +89 |
| 3660 | 7320 | +165 |
| 7320 | 14640 | +317 |
| 14640 | 30500 | +610 |
| 30500 | > | +2% of length |



NOTES:
1. FOR CABLES IXX PRINTING ON CABLE

Bill of Materials

| ITEM | QTY. | DESCRIPTION | MATERIAL | FINISH |
|------|------|-------------------------|------------|------------|
| 7 | - | ID CARRIER | SEE MATRIX | SEE MATRIX |
| 6 | - | MOLDING MATERIAL | SEE MATRIX | SEE MATRIX |
| 5 | 1 | O-RING | FPM | RED |
| 4 | - | CONTACT FEMALE | SEE MATRIX | SEE MATRIX |
| 3 | 1 | COUPLING NUT FEMALE M12 | SEE MATRIX | SEE MATRIX |
| 2 | 1 | INSERT M12 FEMALE | SEE MATRIX | SEE MATRIX |
| 1 | - | CABLE | SEE MATRIX | SEE MATRIX |

CHANGED CABLE TYPES
EC NO: IPG2016-0474
DRWINAKONDRACIUK 2015/09/28
CHYKD:MMALIGAT 2015/09/28
APPR:MIWASIECZKO 2015/10/09

QUALITY SYMBOLS
▽=0
◻=0

GENERAL TOLERANCES (UNLESS SPECIFIED)

| | mm | INCH |
|----------|-------|-------|
| 4 PLACES | ± --- | ± --- |
| 3 PLACES | ± --- | ± --- |
| 2 PLACES | ± --- | ± --- |
| 1 PLACE | ± --- | ± --- |
| 0 PLACE | ± --- | ± --- |

ANGULAR ± 1 °
DRAFT WHERE APPLICABLE
MUST REMAIN WITHIN DIMENSIONS

DIMENSION STYLE
MM ONLY

SCALE

DESIGN UNITS
METRIC

THIRD ANGLE PROJECTION

TITLE
M12 SINGLE ENDED FEMALE 90

molex

SEE MATRIX

SD-120065-103

1 OF 1

THIS DRAWING CONTAINS INFORMATION THAT IS PROPRIETARY TO MOLEX INCORPORATED AND SHOULD NOT BE USED WITHOUT WRITTEN PERMISSION