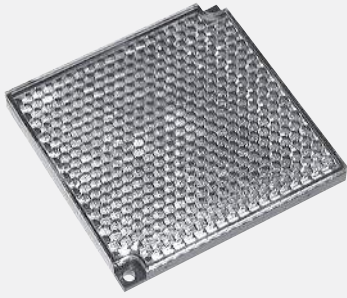
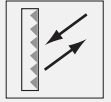


# Reflector

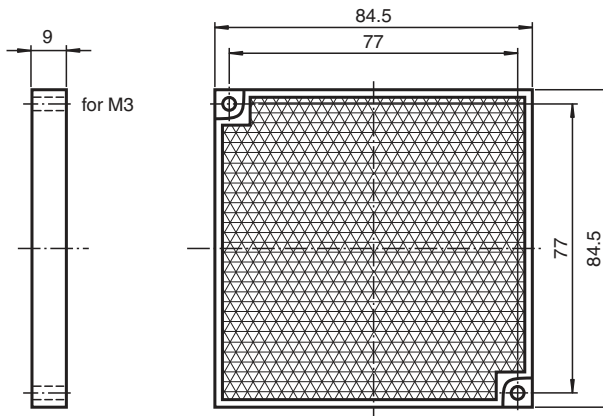
## REF-H85-2



- Mounting holes for simple installation
- High detection ranges achievable

Reflector, rectangular 84.5 mm x 84.5 mm, mounting holes

### Dimensions



### Technical Data

#### General specifications

Construction type rectangular

#### Ambient conditions

Ambient temperature -30 ... 60 °C (-22 ... 140 °F)

#### Mechanical specifications

Material PMMA/ABS

Dimensions 84.5 mm x 84.5 mm x 9 mm

Mounting mounting holes

Release date: 2021-12-16 Date of issue: 2021-12-16 Filename: 185398\_eng.pdf