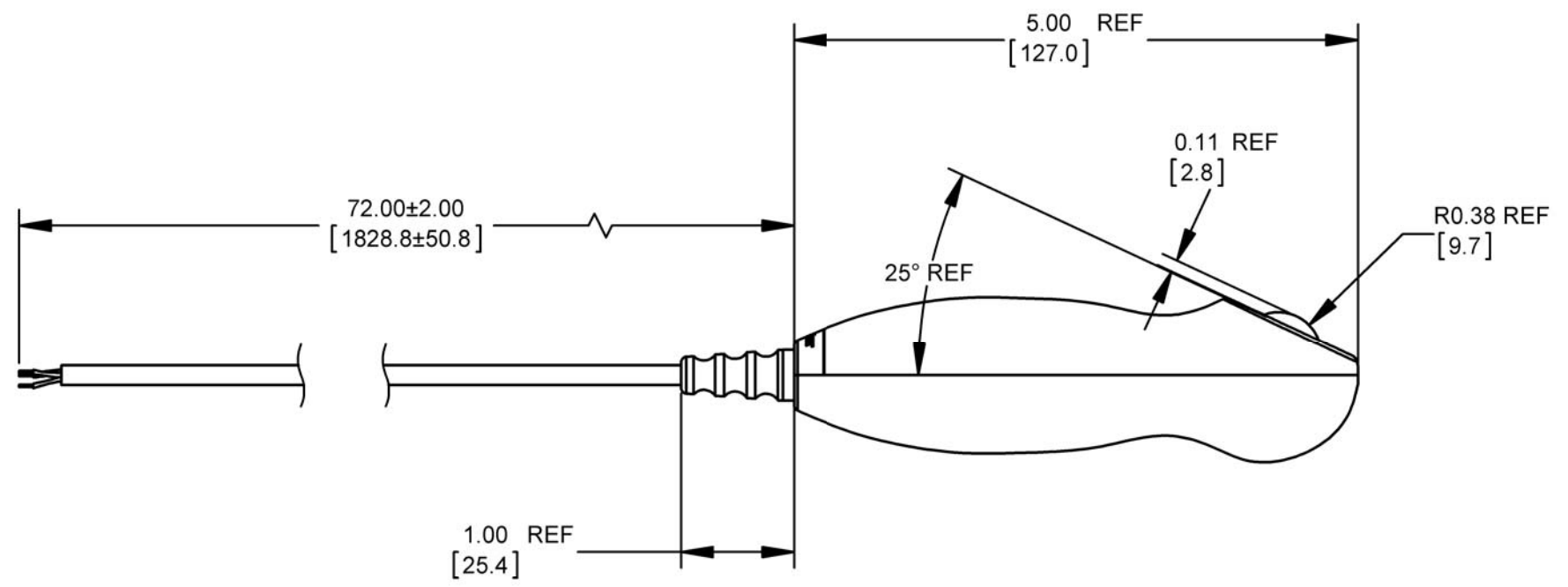
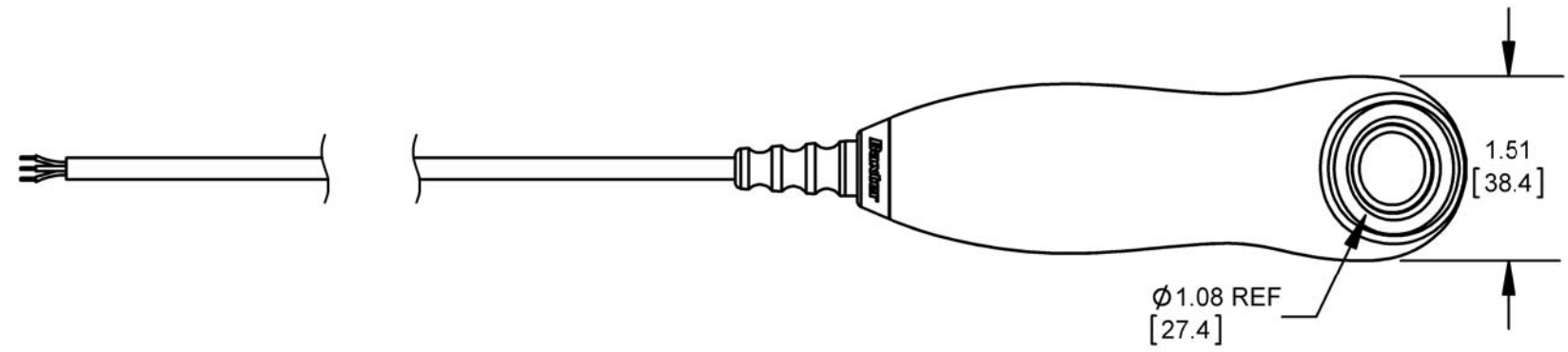
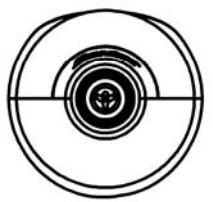


SCHEMATIC CIRCUIT
1A WITH LEDs



NOTES:

- SPECIFICATIONS:**
 ALTERNATE ACTION
 SWITCH: SINGLE POLE N.O. FOR CONTROLLING LOADS
 KEY TRAVEL 0.14 INCHES
 GOLD CONTACT FINISH IN CONTACT AREA
 SWITCHING VOLTAGE OF N.O. CONTACTS: 28VOLTS DC
 MAXIMUM SWITCHING CURRENT 250mA
 LED VOLTAGE 4.75 TO 28 VOLTS DC AT RED WIRE REF TO BLACK WIRE
 OPERATING LIFE 100,000 CYCLES
 OPERATING TEMPERATURE -25 TO +75°C
 ACTUATING FORCE LESS THAN 3 lb
 IP66
- MATERIALS:**
 SWITCH HOUSING: GRAY THERMOPLASTIC
 ACTUATING BUTTON: NATURAL COLORED ELASTOMER
 CONTACTS: COPPER ALLOY WITH GOLD PLATING IN CONTACT AREA
 TERMINALS COPPER ALLOY, PLATED TIN
 STRAIN RELIEF: NATURAL COLORED ELASTOMER
 CABLE: 4 CONDUCTOR, 26 AWG STRANDED, GRAY PVC JACKET

CUSTOMER DRAWING

					THIS DRAWING DESCRIBES A DESIGN CONSIDERED PROPRIETARY IN NATURE, DEVELOPED AND MANUFACTURED BY SWITCHCRAFT INC. AND IS RELEASED ON A CONFIDENTIAL BASIS FOR IDENTIFICATION PURPOSES ONLY.																			
					SIZE *	WIDTH *	MULT *	LBS/M *	TEMPER *															
					FINISH *			MATERIAL *																
					SPEC No. *			SPEC No. *																
					FIRST USED ON *		SCALE 1:1																	
DATE DRAWN		BY	CHKD		APVD																			
1-14-16		SRC	12-5-16		TJK																			
			SRC		2-1-17																			
					NAME				PART No.	REV														
					PENDANT, PL-PR WITH BLUE LED				E921KALN	A														
A					ECO 27837					2-1-17					SRC					TJK				
REV					ECO NUMBER					DATE					BY					APVD				
					REVISIONS					DO NOT SCALE DRAWING														