



AMP | Timer Connector System

TE Internal #: 1719043-1

Automotive Seals & Cavity Plugs, Single Wire Seal (SWS), Cavity Diameter .334 in [8.5 mm], Silicone, Poor, 50, Timer Connector System

[View on TE.com >](#)

Connectors > Automotive Connectors > Automotive Seals & Cavity Plugs



Connector Seal & Plug Type: **Single Wire Seal (SWS)**

Cavity Diameter: **8.5 mm [.334 in]**

Compatible Insulation Diameter Range: **4.5 mm [.177 in]**

Primary Product Material: **Silicone**

Resistance to Hydrocarbons: **Poor**

Features

Product Type Features

Connector Seal & Plug Type	Single Wire Seal (SWS)
----------------------------	------------------------

Body Features

Primary Product Material	Silicone
Primary Product Color	Green

Dimensions

Cavity Diameter	8.5 mm[.334 in]
Compatible Insulation Diameter Range	4.5 mm[.177 in]

Usage Conditions

Operating Temperature (Max)	65 °C, 70 °C, 75 °C, 80 °C, 85 °C, 90 °C, 100 °C, 105 °C, 110 °C, 120 °C, 125 °C, 130 °C [149 °F][158 °F][167 °F][176 °F][185 °F][194 °F][212 °F][221 °F][230 °F][248 °F][257 °F][266 °F]
Operating Temperature Range	-40 – 130 °C[-40 – 266 °F]

Industry Standards

UL Flammability Rating	None
------------------------	------

Other

Resistance to Hydrocarbons	Poor
Shore A Hardness	50



Contains Lubricant	Yes
--------------------	-----

Product Compliance

[For compliance documentation, visit the product page on TE.com>](#)

EU RoHS Directive 2011/65/EU	Compliant
EU ELV Directive 2000/53/EC	Compliant
China RoHS 2 Directive MIIT Order No 32, 2016	No Restricted Materials Above Threshold
EU REACH Regulation (EC) No. 1907/2006	Current ECHA Candidate List: JUNE 2023 (235) Candidate List Declared Against: JUNE 2022 (224) Does not contain REACH SVHC
Halogen Content	Low Halogen - Br, Cl, F, I < 900 ppm per homogenous material. Also BFR/CFR/PVC Free
Solder Process Capability	Not applicable for solder process capability

Product Compliance Disclaimer

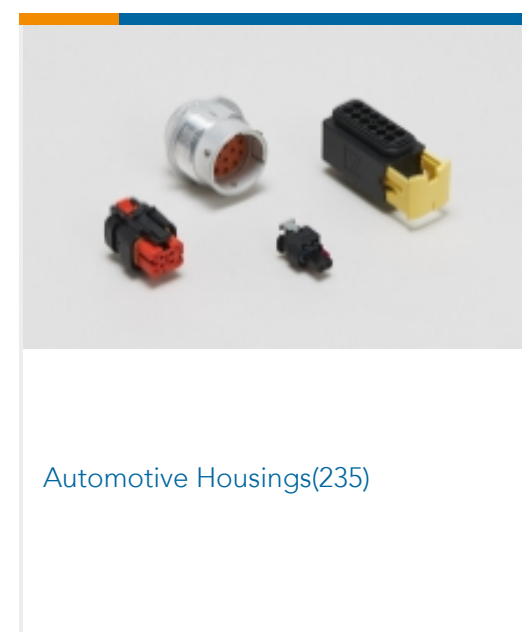
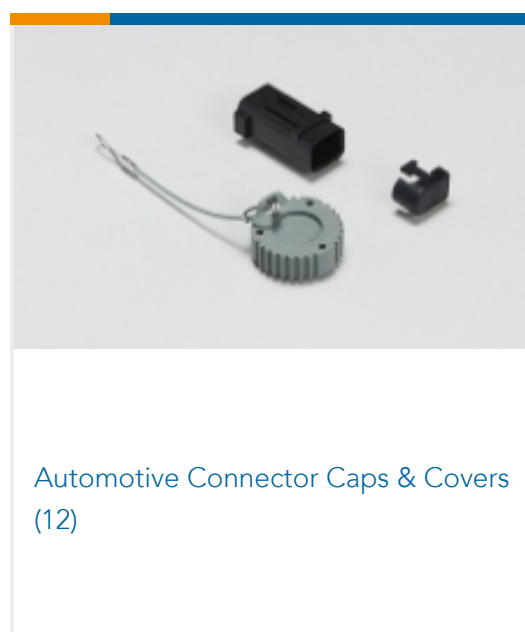
This information is provided based on reasonable inquiry of our suppliers and represents our current actual knowledge based on the information they provided. This information is subject to change. The part numbers that TE has identified as EU RoHS compliant have a maximum concentration of 0.1% by weight in homogenous materials for lead, hexavalent chromium, mercury, PBB, PBDE, DBP, BBP, DEHP, DIBP, and 0.01% for cadmium, or qualify for an exemption to these limits as defined in the Annexes of Directive 2011/65/EU (RoHS2). Finished electrical and electronic equipment products will be CE marked as required by Directive 2011/65/EU. Components may not be CE marked. Additionally, the part numbers that TE has identified as EU ELV compliant have a maximum concentration of 0.1% by weight in homogenous materials for lead, hexavalent chromium, and mercury, and 0.01% for cadmium, or qualify for an exemption to these limits as defined in the Annexes of Directive 2000/53/EC (ELV). Regarding the REACH Regulation, the information TE provides on SVHC in articles for this part number is based on the latest European Chemicals Agency (ECHA) 'Guidance on requirements for substances in articles' posted at this URL: <https://echa.europa.eu/guidance-documents/guidance-on-reach>

Compatible Parts

 <p>TE Part # CAT-AM7-FRB69 Sealed Fuse and Relay Boxes</p>	 <p>TE Part # CAT-L489-CH8172 LEAVYSEAL Housings</p>	 <p>TE Part # CAT-AM705-CH8173 AMP MCP Unsealed Connector Housings</p>	 <p>TE Part # CAT-H3399-CH8172 Heavy Duty Sealed Connector Series Housings</p>
--	---	---	---



Also in the Series | Timer Connector System





Automotive Terminals(145)



Crimp Terminal Housings(13)



Insertion & Extraction Tools(19)



Other Automotive Connector Accessories(1)



PCB Headers & Receptacles(82)



Quick Disconnects(4)

Customers Also Bought



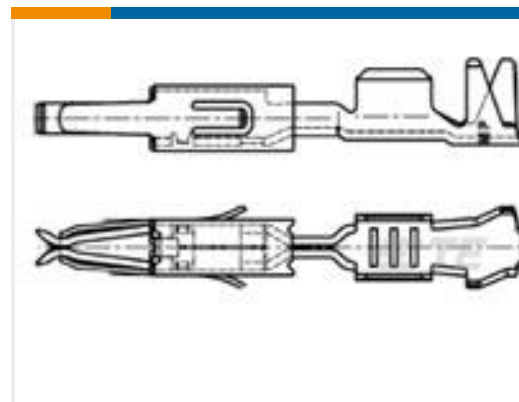
TE Part #1823111-1
SINGLE WIRE SEAL, FOR WIRE 2.5 SQMM, BN



TE Part #1-1703532-1
2POS, TAB 5.8X0.8, TAB HSG, ASSY



TE Part #1-1241418-3
AMP MCP, RECEPTACLE AND TAB



TE Part #1241732-2
MT3 REC 1.6 Contact SRC Sn



TE Part #2141970-1
MCON 1.2 LL REC SWS SN



TE Part #5-968220-5
MQS0,63 Au rec CB unseal. 0,2-0,35



TE Part #1563125-1
10POS, MIXED, TAB HSG



TE Part #170014-1
FF 110 TAB 20-16AWG BR



TE Part #2208833-1
RETAINER, FOR NANOMOS

Documents



Product Drawings

SINGLE WIRE SEAL, GREEN

English

CAD Files

3D PDF

3D

Customer View Model

[ENG_CVM_CVM_1719043-1_A.2d_dxf.zip](#)

English

Customer View Model

[ENG_CVM_CVM_1719043-1_A.3d_igs.zip](#)

English

Customer View Model

[ENG_CVM_CVM_1719043-1_A.3d_stp.zip](#)

English

By downloading the CAD file I accept and agree to the [Terms and Conditions](#) of use.

Datasheets & Catalog Pages

HDSCS Catalog

English

CONNECTOR SELECTOR

English