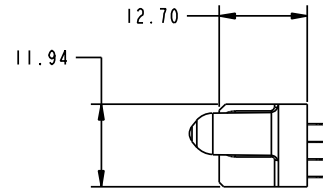
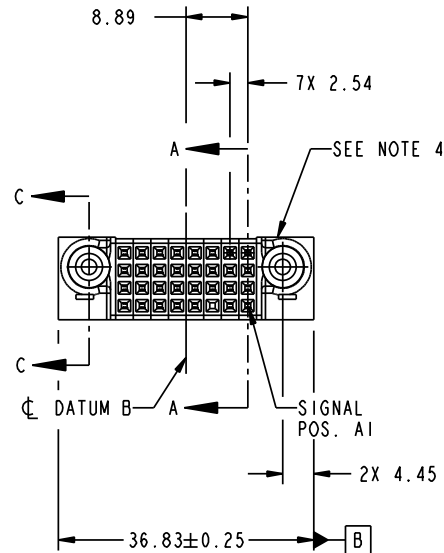


Tous droits strictement réservés. Reproduction ou communication a des tiers interdite sous quelque forme que ce soit sans autorisation écrite du propriétaire. Propriété de c FCI. Droits de reproduction FCI.



All rights strictly reserved. Reproduction or issue to third parties in any form whatever is not permitted without written authority from the proprietor. Property of FCI. Copyright FCI.

PRODUCT NO.	ROWS	SIGNAL									
		E2	8	7	6	5	4	3	2	1	E1
51940-338-- NOTE: 3	D C B A		F	F	F	F	F	F	F	F	
		F	F	F	F	F	F	F	F	F	
		F	F	F	F	F	F	F	F	F	
		F	F	F	F	F	F	F	F	F	



CODE	DIM "M" MATING LENGTH	CONTACT TYPE
F	[N/A]	SIGNAL
X	OMITTED	OMITTED

mat'l code				SEE NOTES		tolerances unless otherwise specified		CUSTOMER	
lfr	ecn no.	dr	date	linear	0.X ±0.5	projection		www.fciconnect.com	
A	DG10-0075	JC	24-Feb-10	angles	0.XX ±0.25	MM		title 32S	
				dr	0.XXX ±0.1	1:1		VERTICAL PRESS-FIT RECEPT	
				engr	0° ±2°	scale		product family PwrBlade	
				chr		A		code 213	
				appd		A		sheet 1 of 4	
sheet index	revision sheet	A	A	A	A	cage code		22526	
		1	2	3	4	4			

Pro/E

PDM: Rev:A

STATUS: Released

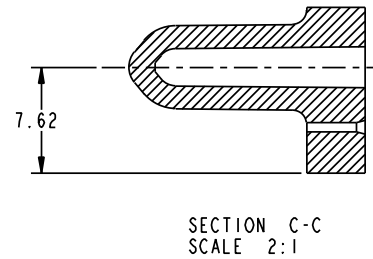
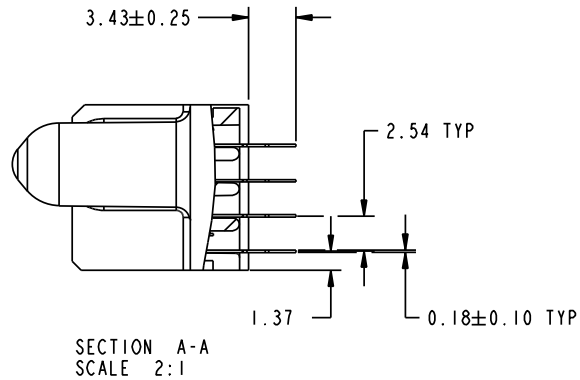
Printed: Dec 20, 2010

Tous droits strictement reserves. Reproduction ou communication a des tiers interdite sous quelque forme que ce soit sans autorisation écrite du propriétaire. Propriete de c FCI. Droits de reproduction FCI.



All rights strictly reserved. Reproduction or issue to third parties in any form whatever is not permitted without written authority from the proprietor. Property of FCI. Copyright FCI.

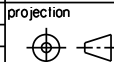
PRODUCT NUMBER
51940-338...
NOTE: 3



mat'l code				tolerances unless otherwise specified		CUSTOMER		FCI		www.fciconnect.com	
lfr	ecn no.	dr	date	linear	0.X ± 0.5	COPY		projection		title	
A					0.XX ± 0.25	MM				32S VERTICAL PRESS-FIT RECEPT	
				angles	0° ± 2°	scale		product family		code	
				dr	Jerome Chen 18-Feb-10	1:1		PwrBlade		213	
				engr	Jerome Chen 18-Feb-10			size		2 of 4	
				chr	PM Zheng 18-Feb-10			A		51940-338	
				appd	Joseph Hsiao 18-Feb-10						
sheet index	revision sheet										



www.fciconnect.com



MM

scale 1:1

product family PwrBlade code 213
size A 51940-338 sheet 2 of 4

Pro/E

cage code 22526

PDM: Rev:A

STATUS: Released

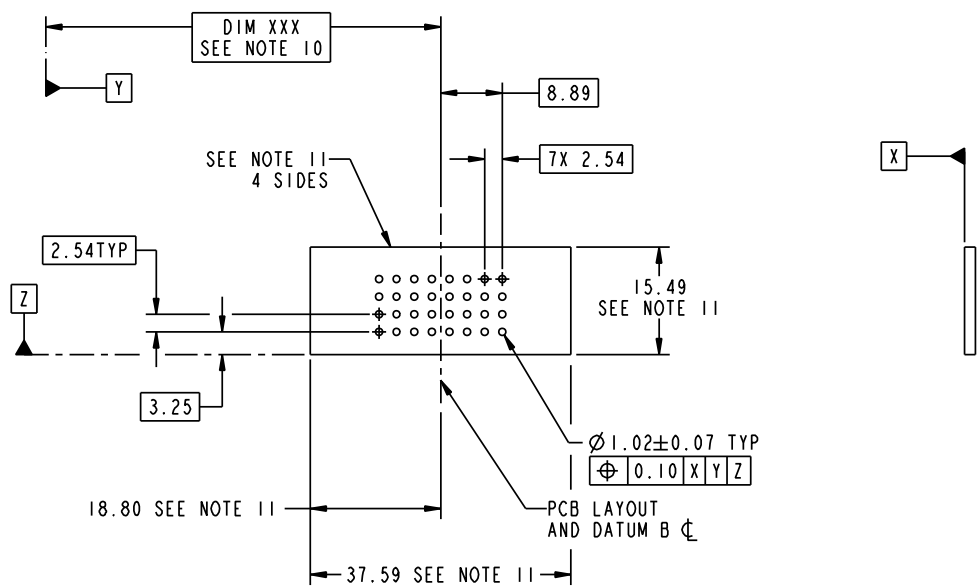
Printed: Dec 20, 2010

Tous droits strictement réservés. Reproduction ou communication o des liens interdite sous quelque forme que ce soit sans autorisation écrite du propriétaire. Propriete de c FCI. Droits de reproduction FCI.



All rights strictly reserved. Reproduction or issue to third parties in any form whatever is not permitted without written authority from the proprietor. Property of FCI. Copyright FCI.

PRODUCT NUMBER
51940-338...
NOTE: 3



RECOMMENDED PCB LAYOUT

mat'l code				tolerances unless otherwise specified		CUSTOMER		FCI	
lfr	ecn no.	dr	date	linear	0.X ± 0.5	COPY		www.fciconnect.com	
A				linear	0.XX ± 0.25	projection	title 32S		
				angles	0.XXX ± 0.1			VERTICAL PRESS-FIT RECEPT	
				dr	0° ± 2°	MM		product family	PwrBlade
				engr	Jerome Chen 18-Feb-10	scale	1:1	size	dwg no
				chr	Jerome Chen 18-Feb-10			A	51940-338
				appd	PM Zheng 18-Feb-10			code	213
					Joseph Hsiao 18-Feb-10			sheet	3 of 4
sheet index	revision sheet								



MM

A

cage code 22526

Pro/E

PDM: Rev:A

STATUS: Released

Printed: Dec 20, 2010

Tous droits strictement réservés. Reproduction ou communication o des liens interdite sous quelque forme que ce soit sans autorisation écrite du propriétaire. Propriété de c FCI. Droits de reproduction FCI.



All rights strictly reserved. Reproduction or issue to third parties in any form whatever is not permitted without written authority from the proprietor. Property of FCI. Copyright FCI.

PRODUCT NUMBER
51940-338..
NOTE: 3

NOTES:

1. DIMENSIONS AND TOLERANCES ARE IN ACCORDANCE WITH ASME Y14.5M, 1994 UNLESS OTHERWISE SPECIFIED.

CONNECTOR NOTES:

- ② HOUSING MATERIAL: UL 94 V-0 GLASS FILLED HIGH-TEMP THERMOPLASTIC
POWER CONTACT MATERIAL: COPPER ALLOY
SIGNAL PIN MATERIAL: COPPER ALLOY
- 3. PLATING SPEC.
51940-338, 51940-338LF PLATING SPEC. WAS SHOWN IN THE PRINT OF 10064183.
- ④ MANUFACTURER'S NAME, DATE CODE AND OPTIONAL P/N TO APPEAR ON THIS SURFACE. THE P/N CAN BE OMITTED IF THERE IS NOT ENOUGH SPACE ON THIS SURFACE.
- 5. PRODUCT SPECIFICATION GS-12-149.
APPLICATION SPECIFICATION BUS-20-067.
- 6. PACKAGED IN TRAYS.

PCB NOTES:

- 7. ALL HOLE DIAMETERS ARE FINISHED HOLE SIZE.
- ⑧ MOUNTING HOLES, WHERE APPLICABLE, ARE UNPLATED.
- ⑨ $\varnothing 1.151 \pm 0.025$ DRILLED HOLES PLATED WITH
0.008 MIN SnPb OR Sn OVER 0.03
TO 0.08 Cu PLATING TO ACHIEVE
 $\varnothing 1.02 \pm 0.07$ HOLE.
- ⑩ "DIM XXX" TO BE DETERMINED BY THE CUSTOMER.
- ⑪ CONNECTOR KEEP-OUT ZONE.
- 12. THE VOID CORING IN BETWEEN POWER MODULES, SIGNAL MODULES AND END MODULES ARE OPTIONAL AND THE SHAPE MAY BE DIFFERENT FOR OPTIMIZE THE MOLDING PROCESS. THE VOID CORING WILL NOT EFFECT TO PRODUCT FUNCTION.

mat'l code				tolerances unless otherwise specified			CUSTOMER		FCI		www.fciconnect.com	
ltr	ecn no.	dr	date	linear	0.X ± 0.5		COPY		projection	title		
A					0.XX ± 0.25		A			32S		
				angles	0.XXX ± 0.1		MM		product family	PwrBlade		code
					0° ± 2°		1:1			size		213
				dr	Jerome Chen	18-Feb-10	A		dwg no		sheet	
				engr	Jerome Chen	18-Feb-10	A		51940-338		4 of 4	
				chr	PM Zheng	18-Feb-10	A					
				appd	Joseph Hsiao	18-Feb-10	A					
sheet index	revision sheet											

Pro/E

cage code 22526

PDM: Rev:A

STATUS: Released

Printed: Dec 20, 2010