

RoHS Compliant			
M	03-AUG-16	PCN	AK
L	26-NOV-15	PACKAGING	AK
K	09-AVR-15	PCB THICKNESS	QP
J	18-FEB-13	DESIGNATION	AR
I	08-NOV-11	CURRENT RATING	GG
H	22-JUN-11	CURRENT RATING	GG
REV	DATE	FILE	BY

PROJECTION:	
APPROVAL: NPr	

GENERAL TOLERANCE
.X = +/- 0.2
.XX = +/- 0.15

UNIT: MM
SCALE:
SHEET: 1/3
DRAW: DXS

DESCRIPTION: MINI USB 2.0 TYPE B 5 CONTACTS	
WERI PART NO: 651 005 136 521	

SIZE
A4

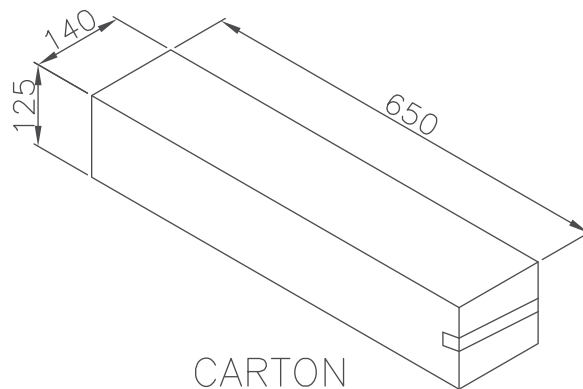
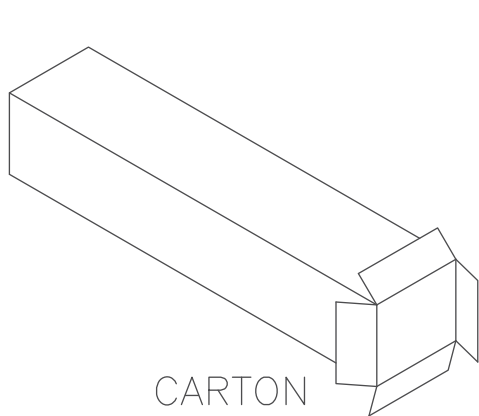
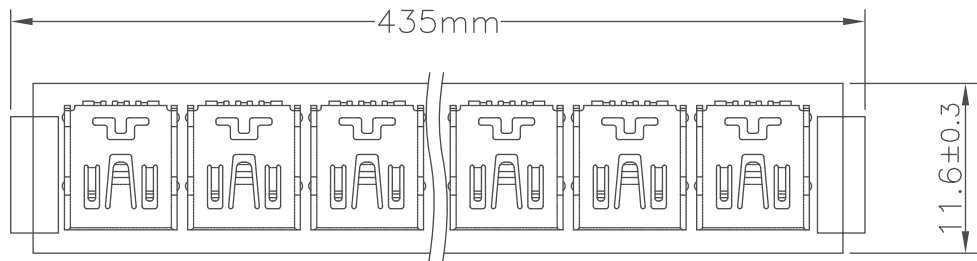
1

2

3

4

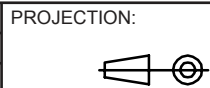
5



Note:
 Dimension:
 Tube Size: L=435mm
 Carton Size : 650(L)X140(W)X125(H) (mm)

50 Pcs/Tube
 120 Tube/Carton
 6000 Pcs/Carton

RoHS Compliant			
G			
F			
E			
D			
C			
B			
A			
REV	DATE	FILE	BY



APPROVAL: NPr

GENERAL TOLERANCE

.X = ± 0.2
 .XX = ± 0.15



UNIT: MM

SCALE:

SHEET: 2/3

DRAW: AK

DESCRIPTION: MINI USB 2.0 TYPE B 5 CONTACTS

WERI PART NO: 651 005 136 521

SIZE

A4

A

B

C

D

1

2

3

4

5

Cautions and Warnings:

This electronic component is designed and developed with the intention for use in general electronics equipments.

Before incorporating the components into any equipments in the field such as aerospace, aviation, nuclear control, submarine, transportation, (automotive control, train control, ship control), transportation signal, disaster prevention, medical, public information network etc. where higher safety and reliability are especially required or if there is possibility of direct damage or injury to human body, Würth Elektronik must be asked for a written approval.

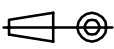

In addition, even electronic component in general electronic equipments, when used in electrical circuits that require high safety, reliability functions or performance, the sufficient reliability evaluation-check for the safety must be performed before by the user before usage.

A

B

C

RoHS Compliant

G				PROJECTION: 	GENERAL TOLERANCE .X = +/- 0.2 .XX = +/- 0.15		
F							
E							
D							
C				APPROVAL: JC	UNIT: MM	DESCRIPTION: DISCLAIMER	SIZE A4
B					SCALE:		
A	10-SEP-14	PDF	QL		SHEET: 3/3	WERI PART NO: DISCLAIMER	
REV	DATE	FILE	BY		DRAW: QL		

D