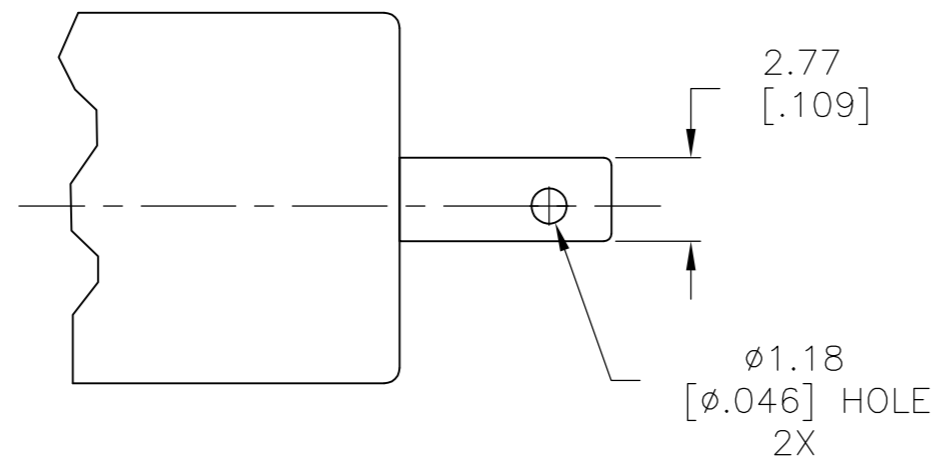
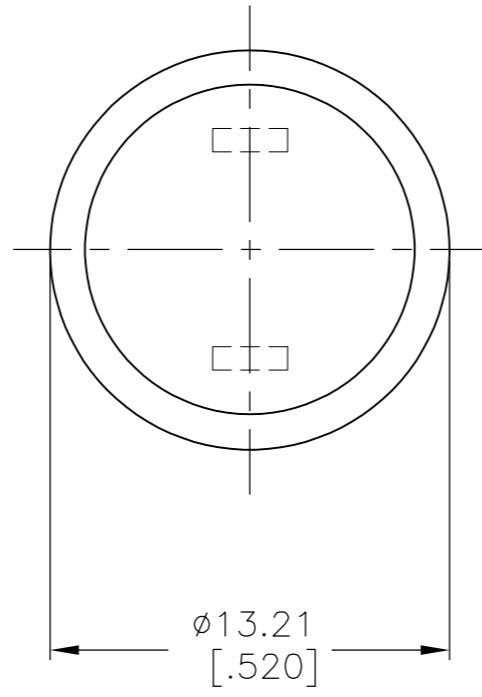
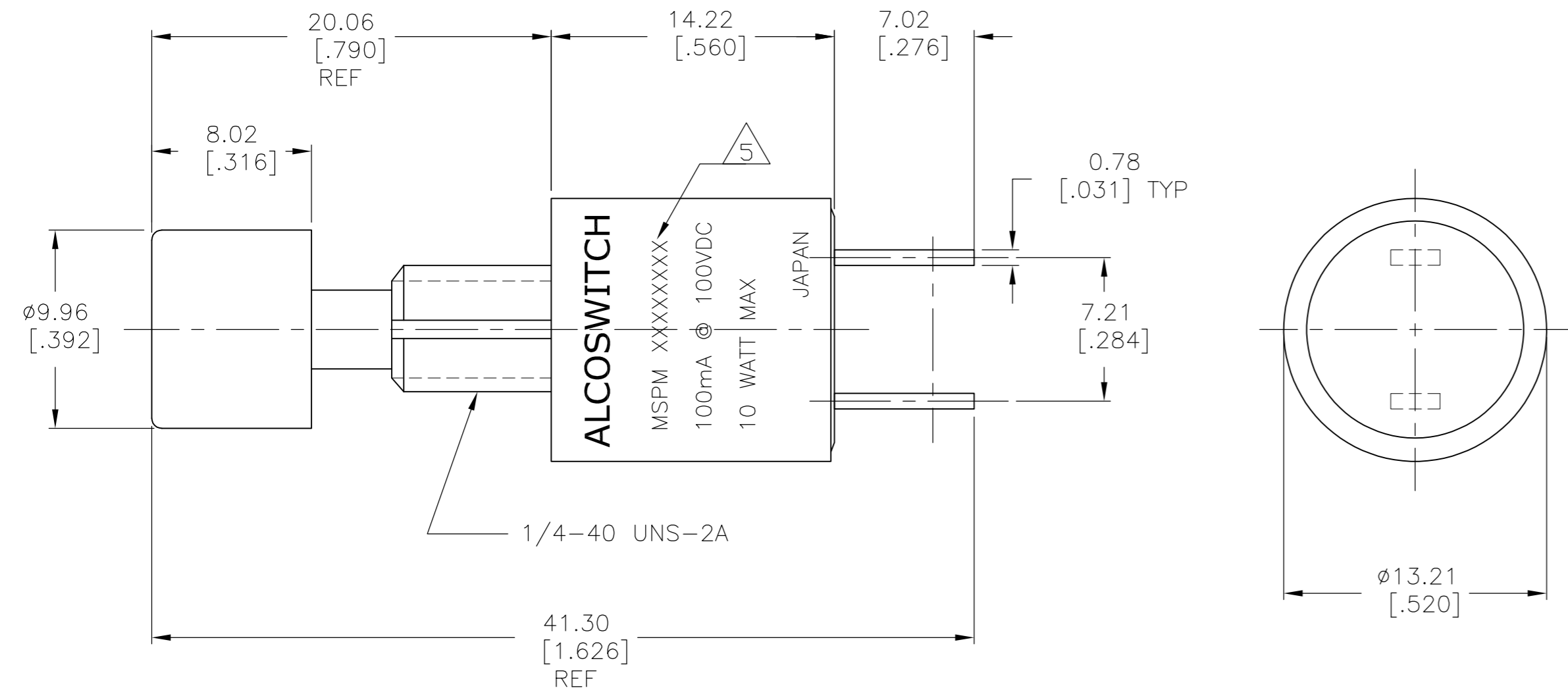
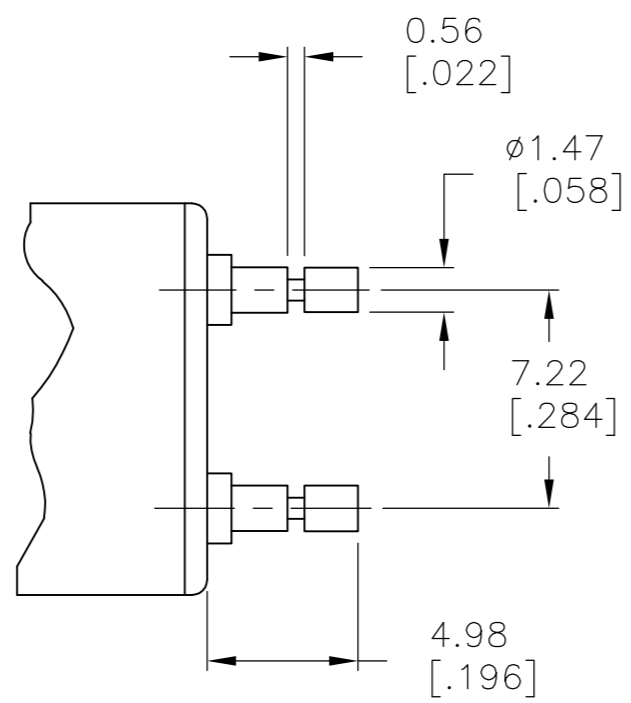


THIS DRAWING IS UNPUBLISHED. RELEASED FOR PUBLICATION
 © COPYRIGHT - By - ALL RIGHTS RESERVED.

LOC		DIST		REVISIONS			
P	LTR	DESCRIPTION		DATE	DWN	APVD	
	A3	REVISED PER ECO-13-003963		25MAR13	KH	HS	



LUG TERMINAL



PIN TERMINAL

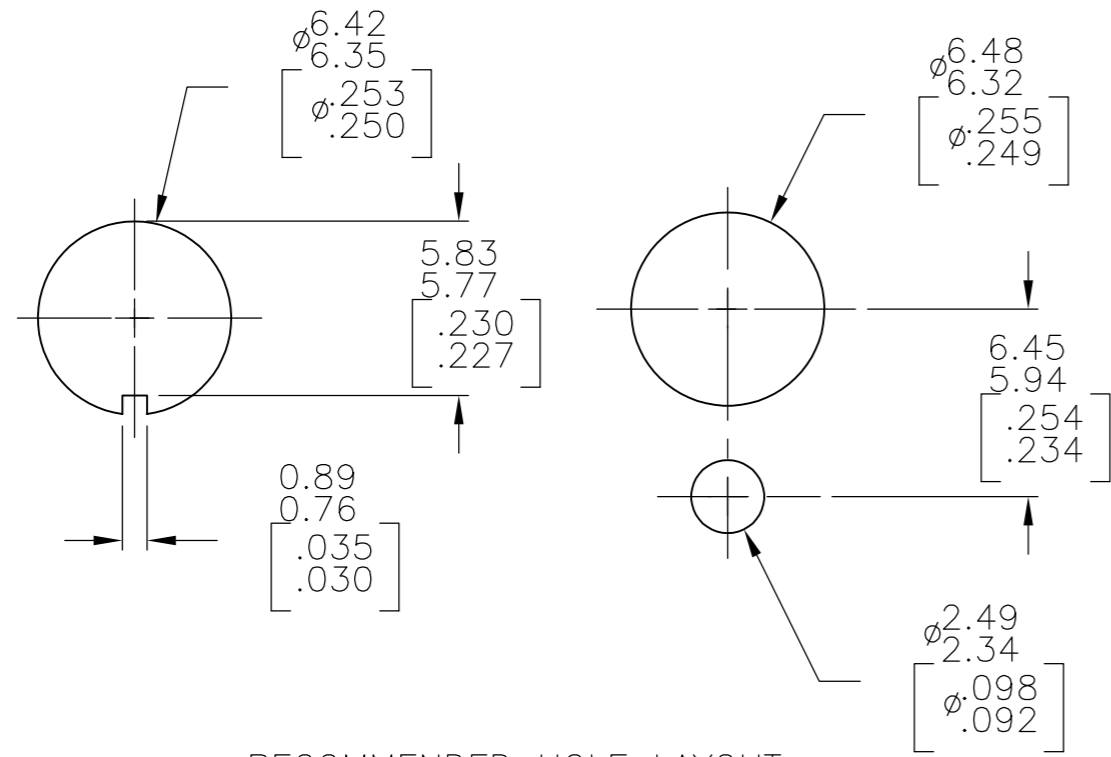
- 1 TERMINAL NUMBERS ARE FOR REFERENCE ONLY AND DO NOT APPEAR ON SWITCHES.
 - 2 EACH SWITCH SUPPLIED WITH THE FOLLOWING MOUNTING HARDWARE:
 (1) DECORATIVE NUT
 (1) HEX NUT
 (1) INTERNAL TOOTH LOCKWASHER
 (1) LOCATING RING
 - 3 ALL MATERIALS AND FINISHES SHALL COMPLY WITH EU DIRECTIVE 2002/95/EC OF 27JAN2003 (ROHS).
 - 4 LUG TERMINALS ACCEPT STANDARD .110 QUICK CONNECT RECEPTACLES. PIN TERMINALS USEABLE FOR PCB APPLICATIONS.
- △5 MARK FIRST 9 DIGITS PER ALCO P/N COLUMN (E.G.: MSPN101C2)

PIN	CAP COLOR	ACTION	THROWS	POLES	ALCO P/N	PART NO.
PIN	RED	NORMALLY OPEN	1	1	MSPM101C204	1825538-4
LUG	RED	NORMALLY OPEN	1	1	MSPM101C104	1825538-3
LUG	BLACK	NORMALLY CLOSED	1	1	MSPM101B104	1825538-2
PIN	BLACK	NORMALLY CLOSED	1	1	MSPM101B004	1825538-1

THIS DRAWING IS A CONTROLLED DOCUMENT.		DWN L.M.	14APR89	TE Connectivity NAME PUSH BUTTON SWITCH, MAGNETIC REED, HERMETICALLY SEALED, SOFT DETENT					
DIMENSIONS: mm [INCHES]		CHK -	APVD J.SYLVIA 12JUN96				PRODUCT SPEC	SIZE A2	CAGE CODE 00779
TOLERANCES UNLESS OTHERWISE SPECIFIED:		0 PLC ± -		APPLICATION SPEC		WEIGHT -	SCALE 4:1	SHEET 1 of 2	REV A3
MATERIAL SEE SPECIFICATIONS		1 PLC ± -		FINISH -		CUSTOMER DRAWING			
		2 PLC ± -							
		3 PLC ± .010							
		4 PLC ± -							
		ANGLES ± 1°							

THIS DRAWING IS UNPUBLISHED. RELEASED FOR PUBLICATION
 © COPYRIGHT - By - ALL RIGHTS RESERVED.

LOC		DIST		REVISIONS			
P	LTR	DESCRIPTION		DATE	DWN	APVD	
-	-	SEE SHEET 1		-	-	-	



RECOMMENDED HOLE LAYOUT
TO PREVENT ROTATION

MATERIALS		
COMPONENT NAME	BASE MATERIAL	FINISH
CASE	STEEL	
ACTUATOR BUTTON	POLYAMIDE, SEE CHART FOR COLOR	
MOVING CONTACT	COPPER ALLOY	GOLD OVER NICKEL
FIXED CONTACT	COPPER ALLOY	GOLD OVER NICKEL
TERMINALS	COPPER ALLOY	SILVER OVER NICKEL

SPECIFICATIONS	
RATING	1.0VA OPTIMUM (100mA MAX., 50 VDC MAX.)
INITIAL CONTACT RESISTANCE	100 MILLIOHMS
INSULATION RESISTANCE	1000 MEGOHMS MIN.
DIELECTRIC WITHSTANDING VOLTAGE	1000 VRMS AT SEA LEVEL
DURABILITY	500000 CYCLES AT .1VA 50000 CYCLES AT 5VA
OPERATING FORCE	TACTILE KEYBOARD FEEL 4 TO 7 OZ. BREAKAWAY REDUCING IMMEDIATELY TO 1.5 OZ. FOLLOW-THROUGH
TRAVEL	2.00±0.20 [.079±.008]
OPERATING TEMPERATURE	-10C TO +80C
STORAGE TEMPERATURE	-10C TO +80C

THIS DRAWING IS A CONTROLLED DOCUMENT.		DWN L.M.	14APR89	STE TE Connectivity	
DIMENSIONS: mm [INCHES]		CHK -	APVD J.SYLVIA		
TOLERANCES UNLESS OTHERWISE SPECIFIED:		PRODUCT SPEC		NAME PUSH BUTTON SWITCH, MAGNETIC REED, HERMETICALLY SEALED, SOFT DETENT	
0 PLC ± - 1 PLC ± - 2 PLC ± - 3 PLC ± .010 4 PLC ± - ANGLES ± 1°		APPLICATION SPEC		SIZE A2	
MATERIAL SEE SPECIFICATIONS		FINISH -		CAGE CODE 00779	
		WEIGHT -		DRAWING NO C=1825538	
		CUSTOMER DRAWING		RESTRICTED TO -	
		SCALE 4:1		SHEET 2 OF 2	
				REV A3	

1825538