

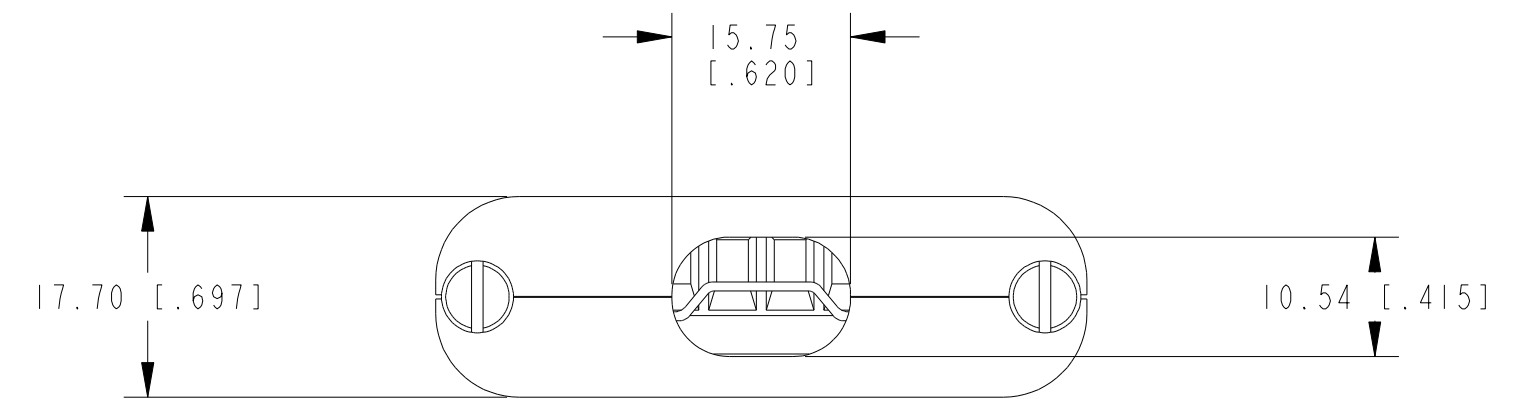
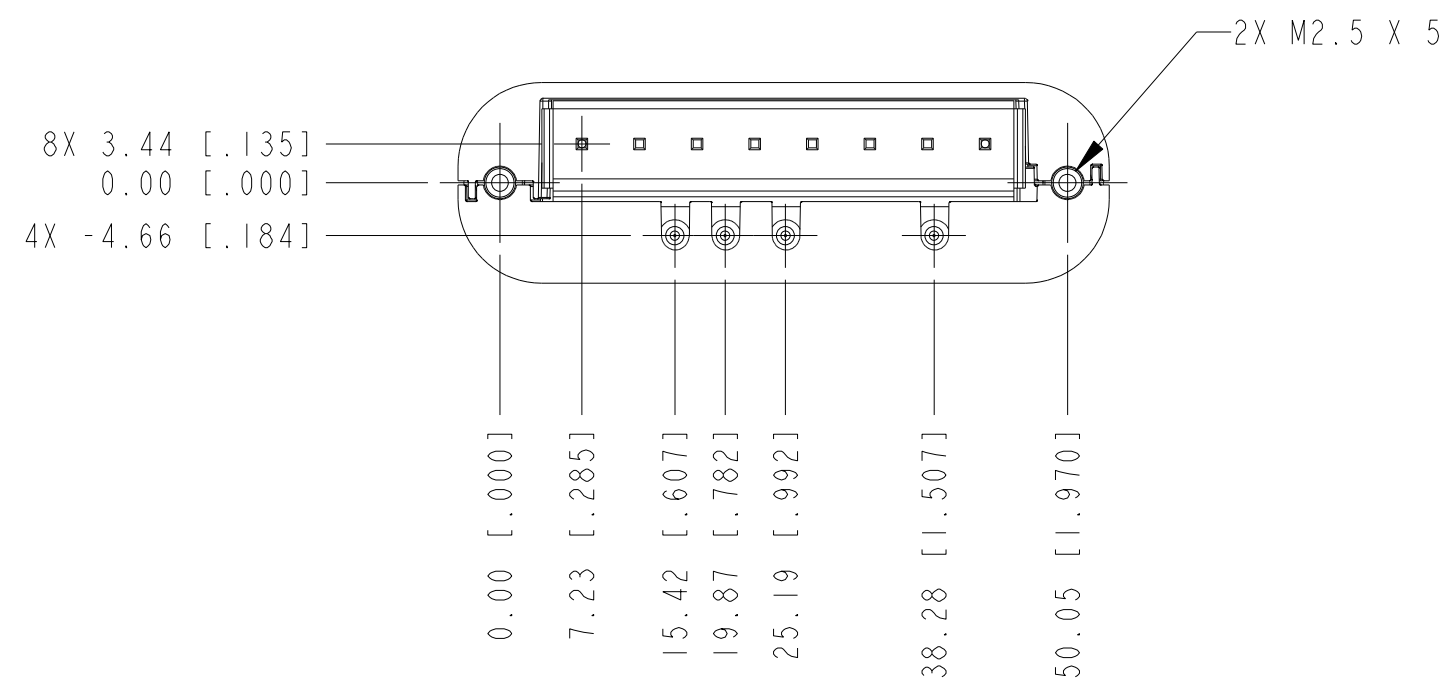
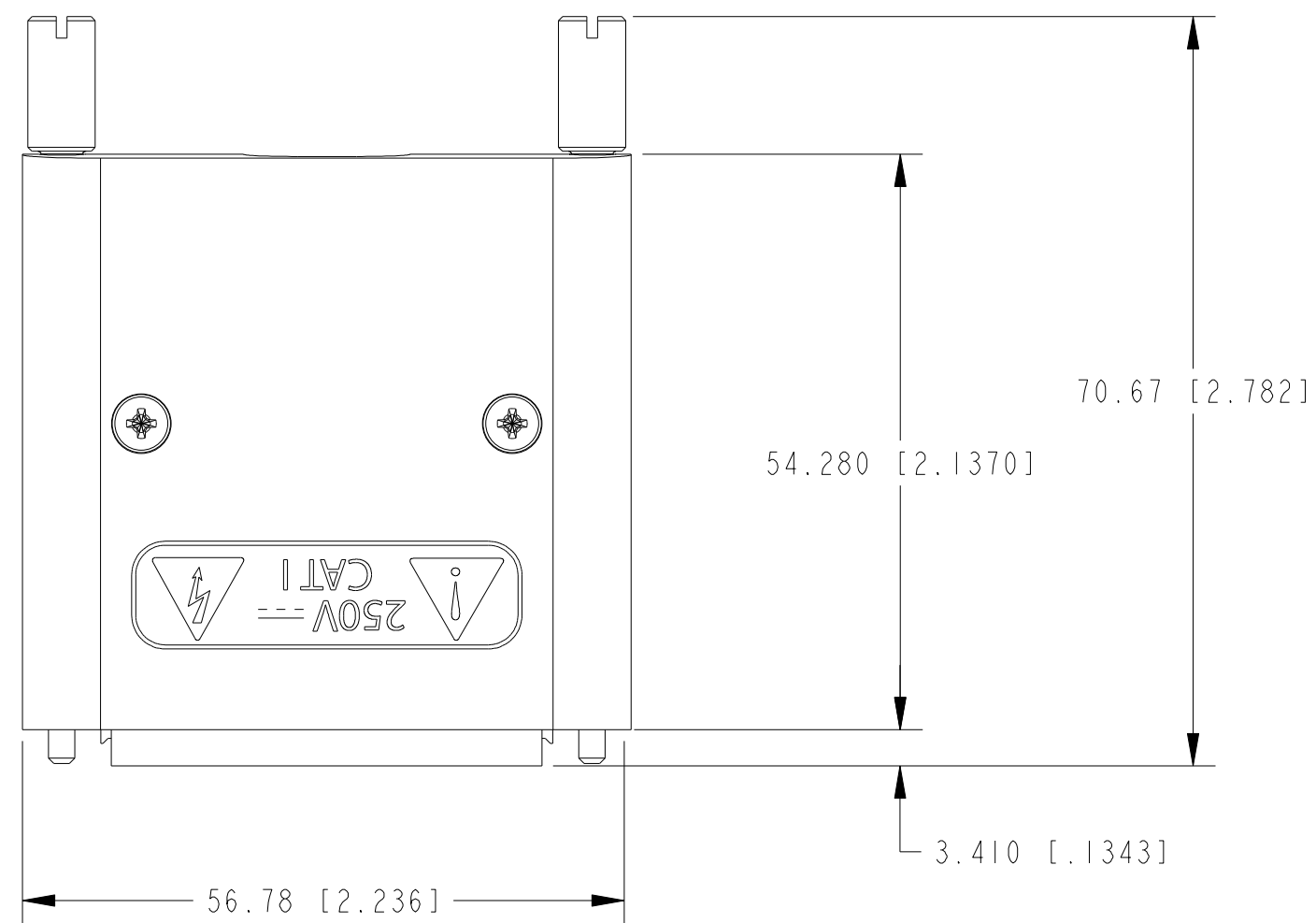
4

3

2

1

COPYRIGHT ©2019 NATIONAL INSTRUMENTS CORPORATION AND ITS LICENSORS. ALL RIGHTS RESERVED.



METRIC

CUSTOMER DRAWING

UNLESS OTHERWISE SPECIFIED DIMENSIONS ARE IN MILLIMETERS AND [INCHES]



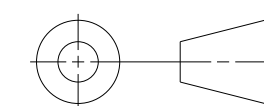
AUSTIN, TEXAS

DO NOT SCALE DRAWING

TITLE

CONNECTOR KIT FOR PXIE-413x

THIRD ANGLE PROJECTION



SIZE CODE IDENT NO. MM/DD/YYYY

C7U296

08/12/19

SCALE: 3/2

SHEET 1 OF 1

CU_CONN_KIT_PXIE-413X

1. REFER TO PRODUCT MANUAL ON NI.COM FOR MORE DETAILS
NOTES: UNLESS OTHERWISE SPECIFIED.

4

3

2

1