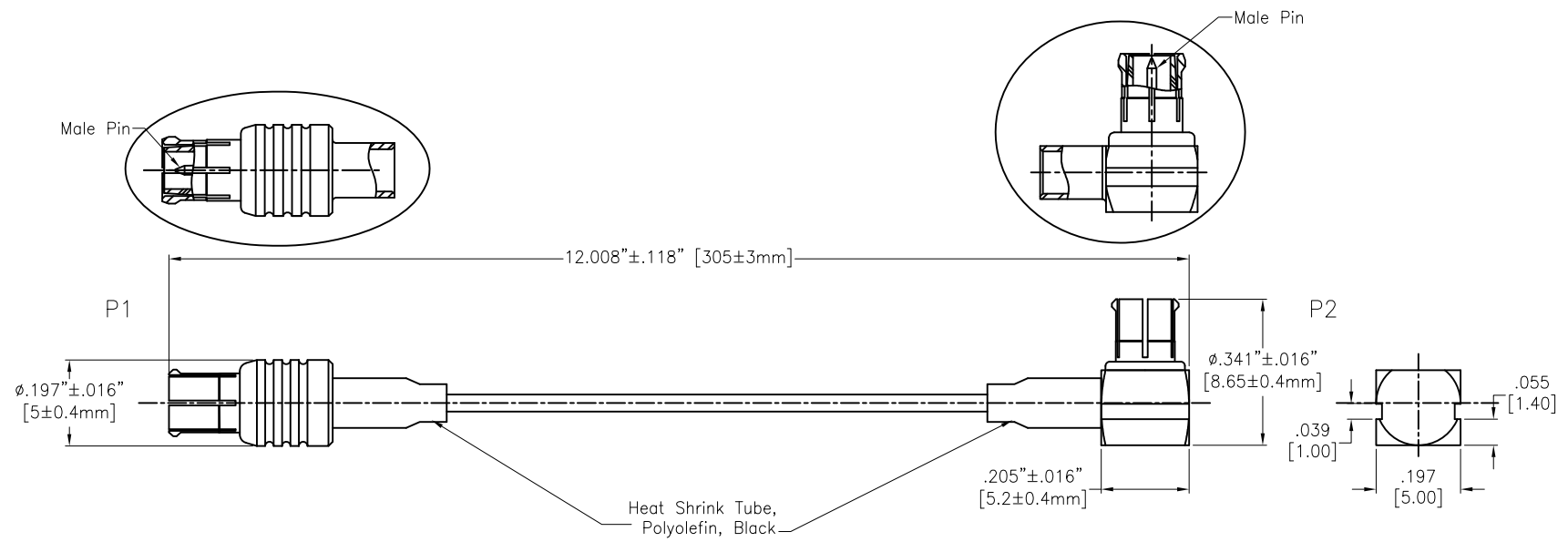


Rev	AWO #	Description	Date	Appr
-		RELEASED	11/16/18	
A		UPDATE DRAWING	3/7/19	AY/KC

APPROVED: _____
 DATE: _____ TITLE: _____

CUSTOM CABLE ASSEMBLIES ARE NON-CANCELLABLE / NON-RETURNABLE



SPECIFICATIONS:

Connector:
 P1= MCX Plug, Male Pin, Straight, Gold plated
 P2= MCX Plug, Male Pin, Right Angle, Gold plated

Cable:
 RG178 Cable

Electrical:
 Impedance: 50 ohms
 Frequency range: DC-6 GHz

Electrical Test:
 All Assemblies must be 100% Tested for
 Shorts, Open, Continuity, and Physical Appearance.

Environmental:
 Lead free, RoHS compliant



UNLESS OTHERWISE SPECIFIED
 ALL DIMENSIONS ARE INCHES [MM]
 TOLERANCES: EXCEPT AS NOTED

INCHES		HOLES	
.X	± .10	∅.X	± .10
.XX	± .020	∅.XX	± .015
.XXX	± .015	∅.XXX	± .010

ADAM TECH
 INTERCONNECTS

909 Rahway Avenue,
 Union, NJ 07083
 Phone: 908-687-5000
 Fax: 908-687-5710

APPROVALS		DATE
DRAWN	AY	10/18/18
CHECKED	RC1	10/18/18
APPROVED		

TITLE CUSTOM CABLE ASSEMBLY, MCX STR PLUG TO MCX R/A PLUG WITH RG178 CABLE		
SIZE X	PART NO. CA#DKCA1-152L3-DPDRP-12	REV. A
REF: S00291T	SCALE: NTS	SHEET 1 OF 1

6

5

4

3

2

1

6

5

4

3

2

1