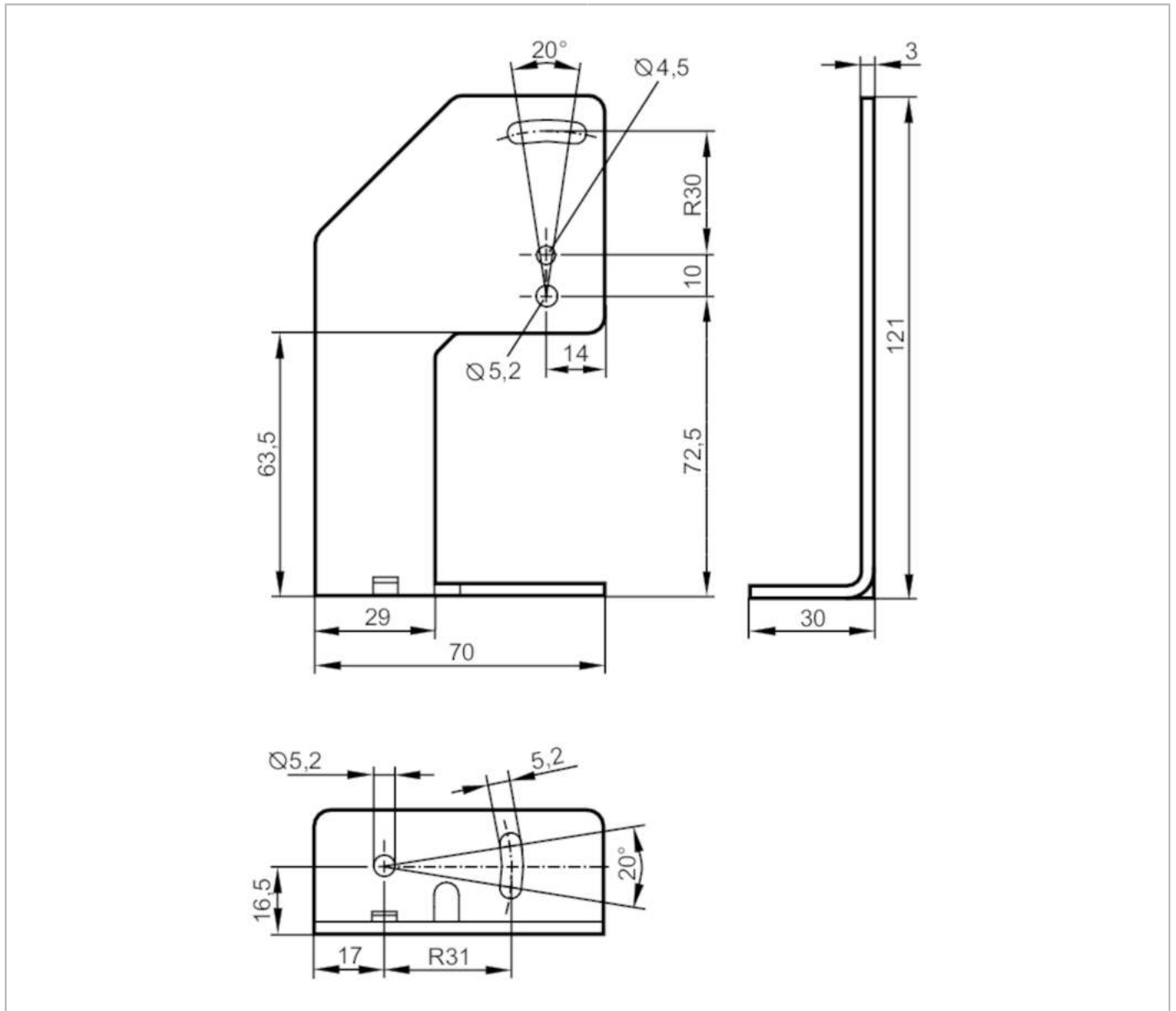


# E21120



## Angle bracket

O4 STANDARD BRACKET



Application	
Design	for type O4
Mechanical data	
Weight	[g] 212.5
Dimensions	[mm] 121 x 30 x 70
Materials	stainless steel (1.4404 / 316L)
Accessories	
Items supplied	cylinder screws: 2 x M5 x 35
	Nuts: 2
	washers: 2
	cylinder screws: 2 x M4 x 45
	Nuts: 2
	washers: 2

# E21120



## Angle bracket

O4 STANDARD BRACKET

### Remarks

Pack quantity

1 pcs.