

LOC DW

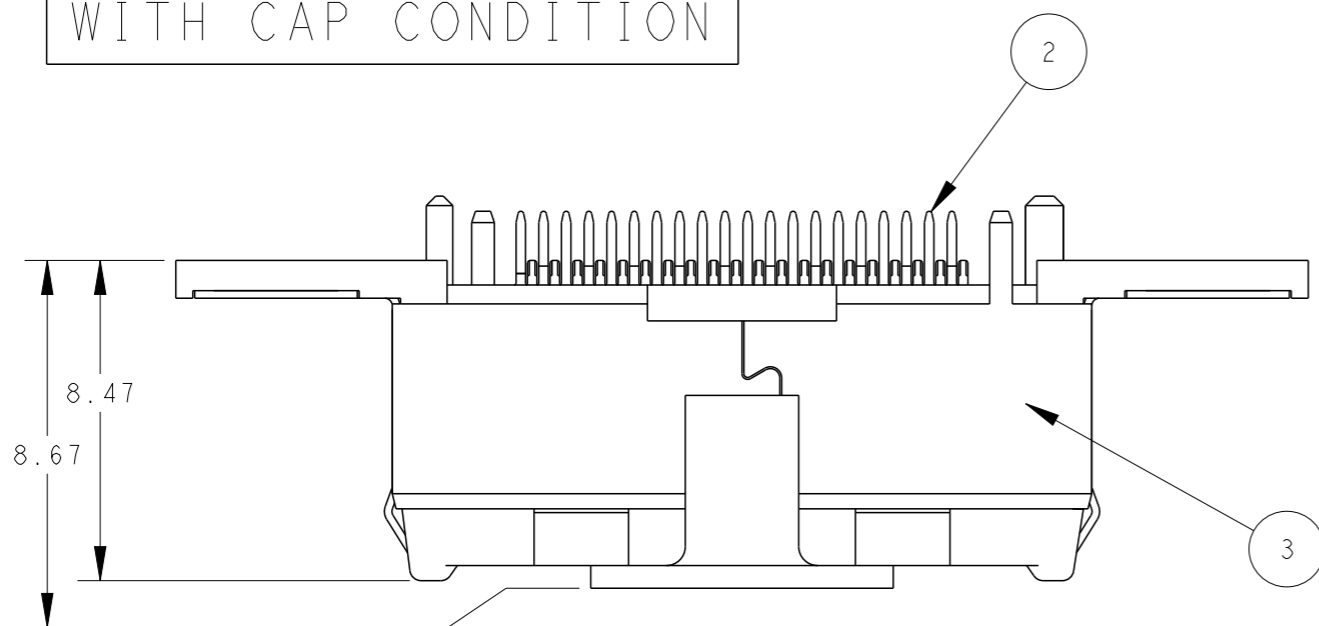
DIST

REVISIONS

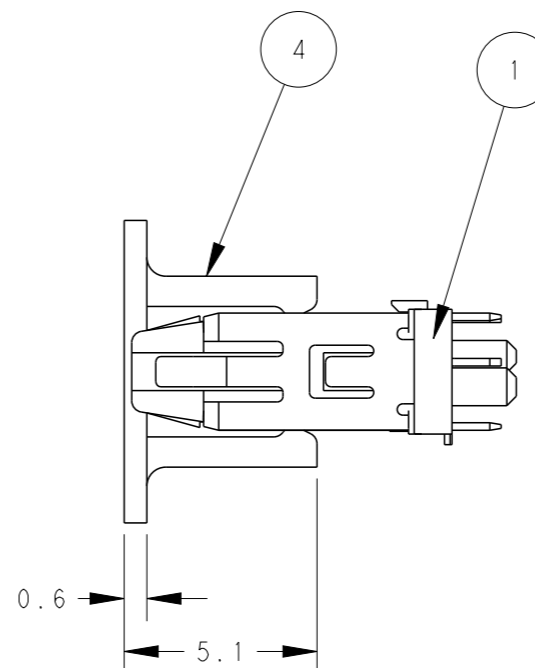
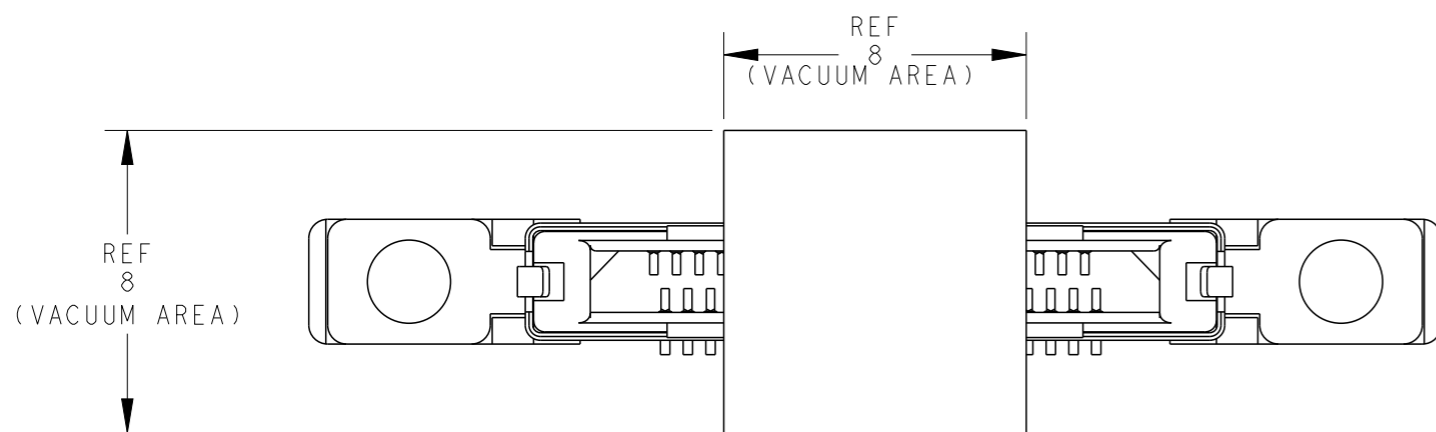
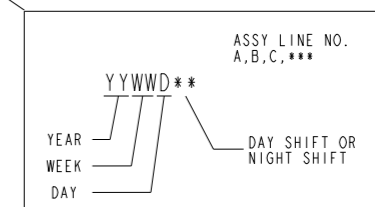
P	LTR	DESCRIPTION	DATE	DWN	APVD
	A	RELEASED	01APR11	P.H	H.K

WITH CAP CONDITION

2129327-1; AS SHOWN



- ① MATERIAL: HOUSING: THERMO-PLASTIC(UL94V-0,BLACK).
CONTACT: COPPER ALLOY.
SHELL: COPPER ALLOY.
CAP: THERMO-PLASTIC(UL94V-0,BLACK).
- ② FINISH:
CONTACT: ALL OVER 2um MIN. Ni UNDER PLATING.
0.38um MIN. Au PLATING ON CONTACT AREA.
1~3um Tin PLATING ON TINE AREA.
SHELL: ALL OVER 1.3um MIN. Ni UNDER PLATING.
- ③ DATE CODE



Q'TY	NAME	ITEM
1	CAP	④
1	SHELL	③
40	CONTACT	②
1	HOUSING	①

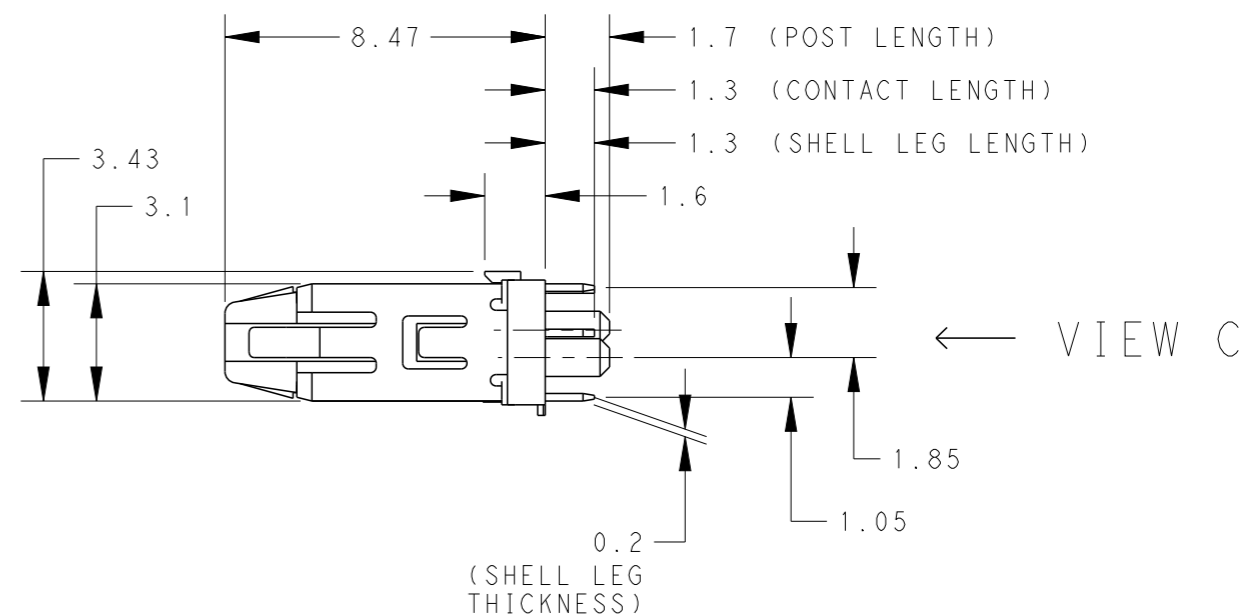
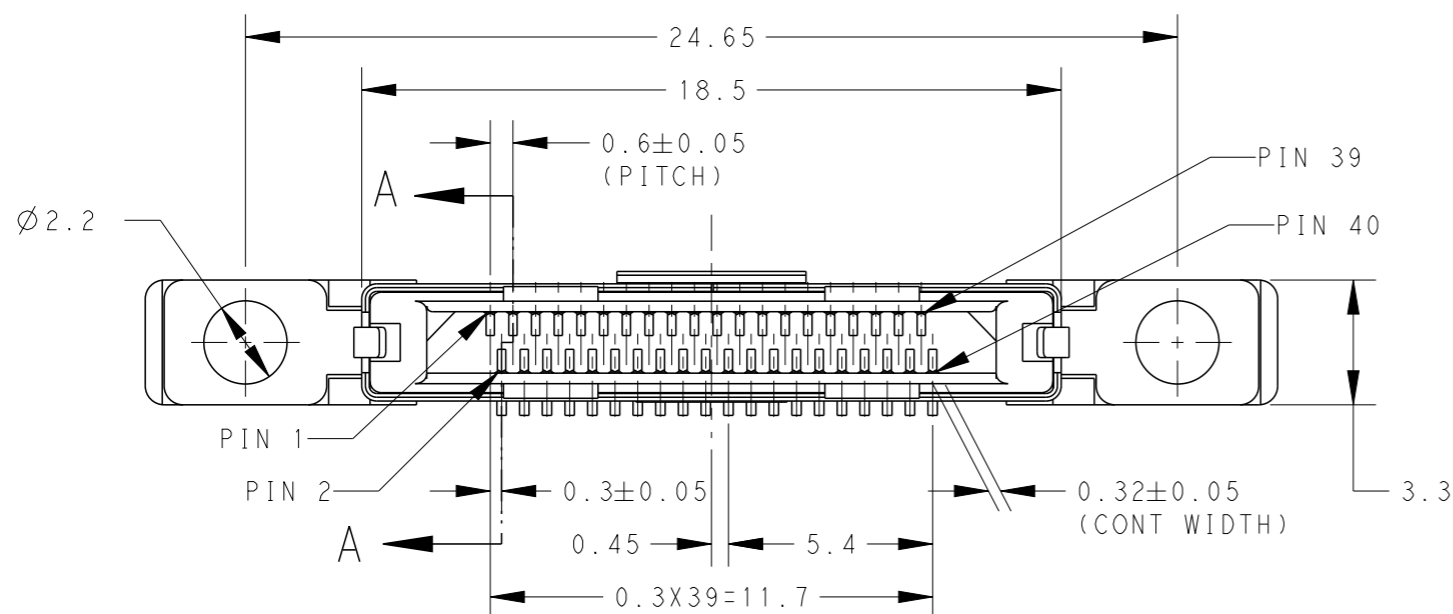
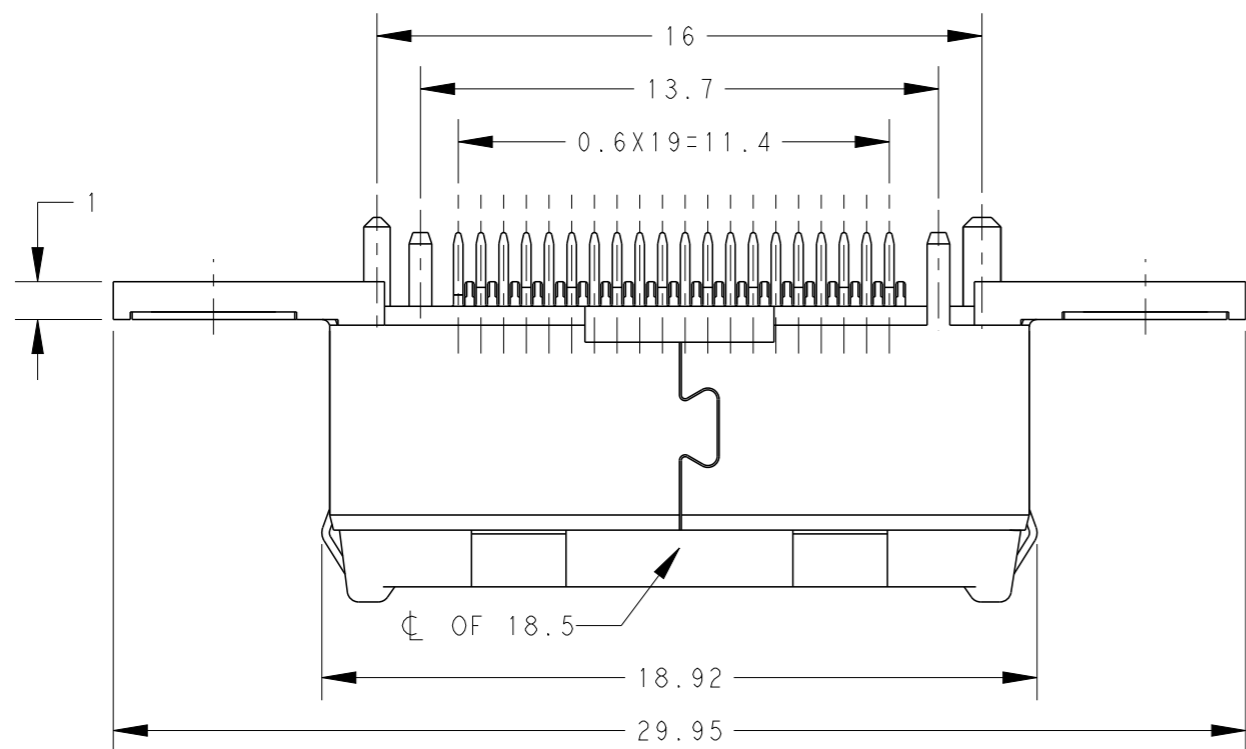
THIS DRAWING IS A CONTROLLED DOCUMENT.

DIMENSIONS: mm	TOLERANCES UNLESS OTHERWISE SPECIFIED: ① PLC ± ② PLC ± ± 0.25 ③ PLC ± ④ PLC ± ANGLES ±3°	DWN P.HSU 01APR2011 CHK W.CHEN 01APR2011 APVD H.KODAMA 01APR2011 PRODUCT SPEC APPLICATION SPEC WEIGHT 1.14	TE Connectivity NAME PLUG ASSY, 0.6mm PITCH CHAMP DOCKING CONNECTOR, 40POS SIZE CAGE CODE DRAWING NO RESTRICTED TO A300779 C-2129327 CUSTOMER DRAWING SCALE 5:1 SHEET 1 OF 5 REV A
-------------------	---	---	--

P	LTR	DESCRIPTION	DATE	DWN	APVD
-	-	SEE SHEET 1	-	-	-


2129327-1; AS SHOWN

W/O CAP CONDITION



VIEW B

VIEW C

THIS DRAWING IS A CONTROLLED DOCUMENT.		DWN	-	 TE Connectivity
DIMENSIONS: mm		CHK	-	
TOLERANCES UNLESS OTHERWISE SPECIFIED:		APVD	-	
0 PLC ± 1 PLC ± 2 PLC ± ±0.25 3 PLC ± 4 PLC ± ANGLES ±3° FINISH -		PRODUCT SPEC	-	
MATERIAL -		APPLICATION SPEC	-	NAME PLUG ASSY, 0.6mm PITCH CHAMP DOCKING CONNECTOR, 40POS
		WEIGHT	-	SIZE CAGE CODE DRAWING NO RESTRICTED TO A300779 C-2129327
		CUSTOMER DRAWING	SCALE 5:1	SHEET 2 OF 5 REV A

4

3

2

1

THIS DRAWING IS UNPUBLISHED.

RELEASED FOR PUBLICATION

20

© COPYRIGHT 20

BY -

ALL RIGHTS RESERVED.

LOC

DIST

REVISIONS

DW

P

LTR

DESCRIPTION

DATE

DWN

APVD

SEE SHEET 1

VIEW B

VIEW C

SECTION A-A

THIS DRAWING IS A CONTROLLED DOCUMENT.

DWN

CHK

APVD

PRODUCT SPEC

APPLICATION SPEC

WEIGHT

CUSTOMER DRAWING

DIMENSIONS:

mm

TOLERANCES UNLESS OTHERWISE SPECIFIED:

1 PLC ±

2 PLC ± ±0.25

3 PLC ±

4 PLC ±

ANGLES ±3°

FINISH -

MATERIAL

-

TE Connectivity

NAME

PLUG ASSY, 0.6mm PITCH
CHAMP DOCKING CONNECTOR, 40POS

SIZE

CAGE CODE

DRAWING NO

RESTRICTED TO

A3

00779

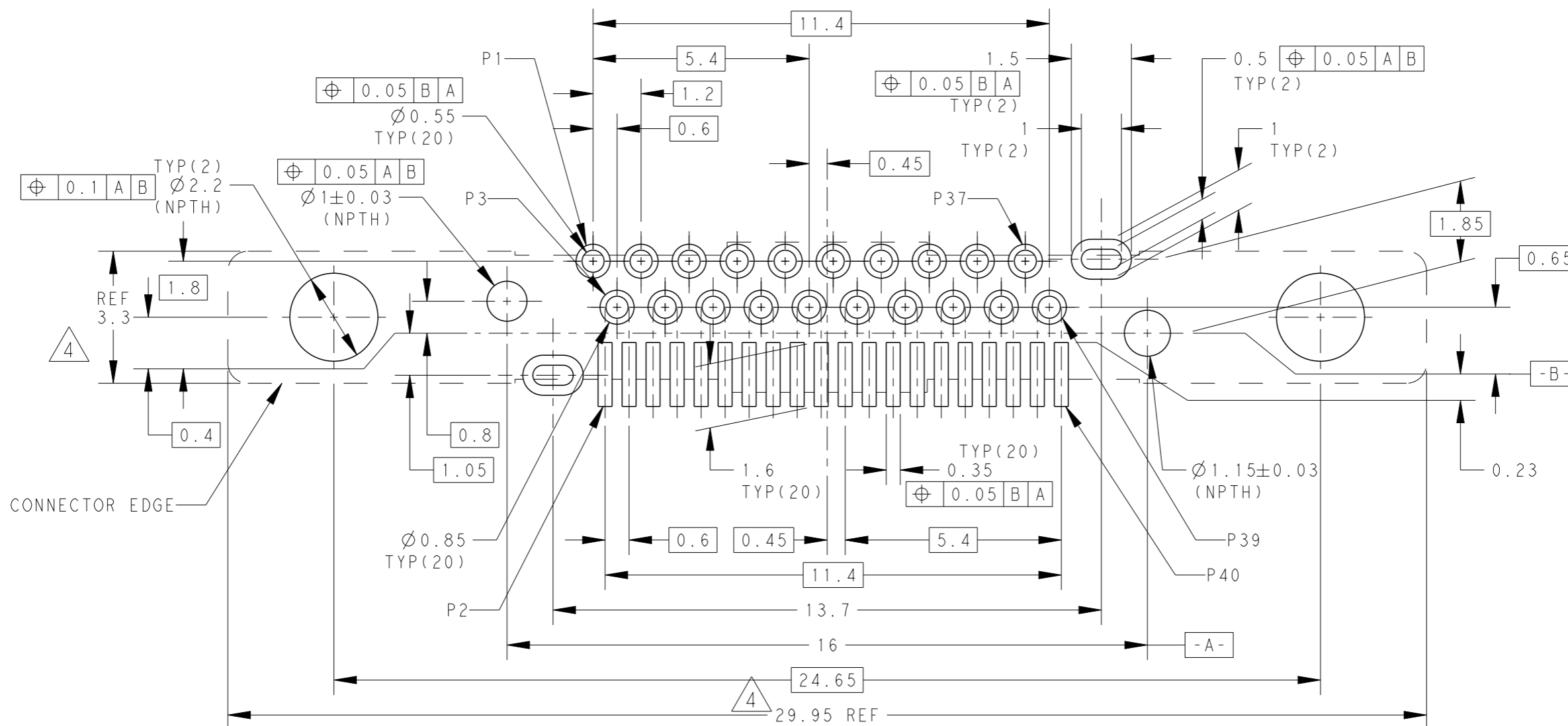
C-2129327

SCALE 5:1

SHEET 3 OF 5

REV A

1470-19 (3/11)

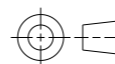


REFERENCE P.C. BOARD LAYOUT (TOP VIEW)

△ CONNECTOR OUTLINE

THIS DRAWING IS A CONTROLLED DOCUMENT.

DIMENSIONS:
mm



TOLERANCES UNLESS OTHERWISE SPECIFIED:

- 0 PLC ±
- 1 PLC ±
- 2 PLC ± ± 0.05
- 3 PLC ±
- 4 PLC ±
- ANGLES ±3°
- FINISH -

MATERIAL -

DWN	-
CHK	-
APVD	-
PRODUCT SPEC	-
APPLICATION SPEC	-
WEIGHT	-
CUSTOMER DRAWING	-



TE Connectivity

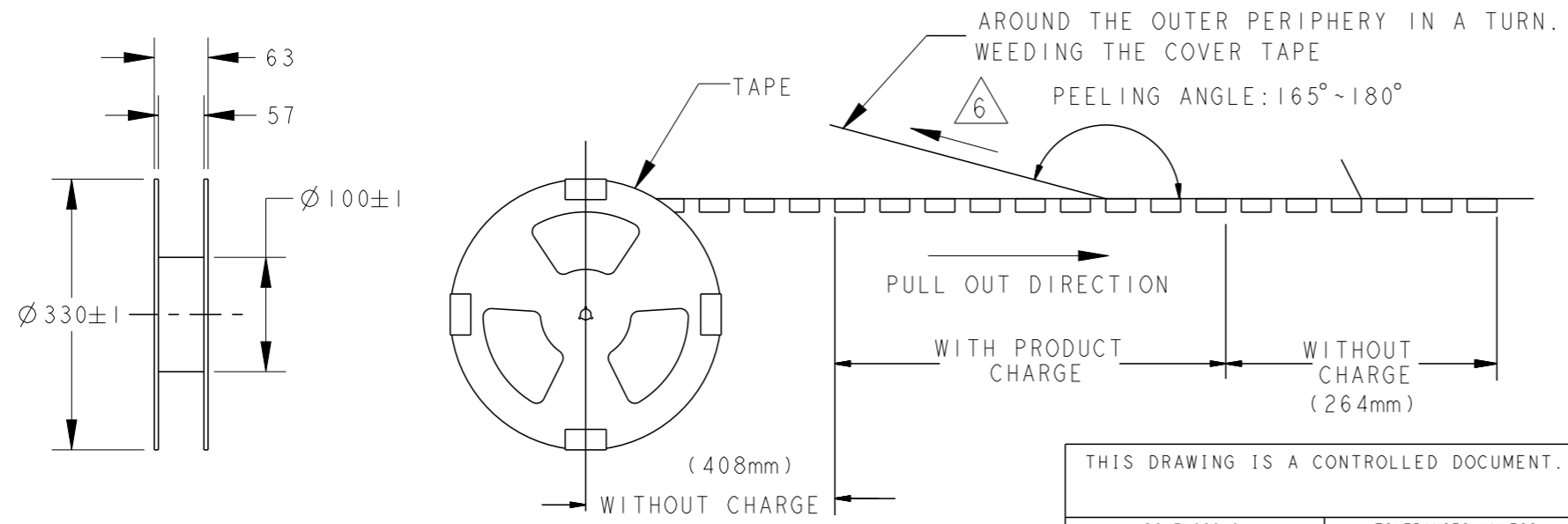
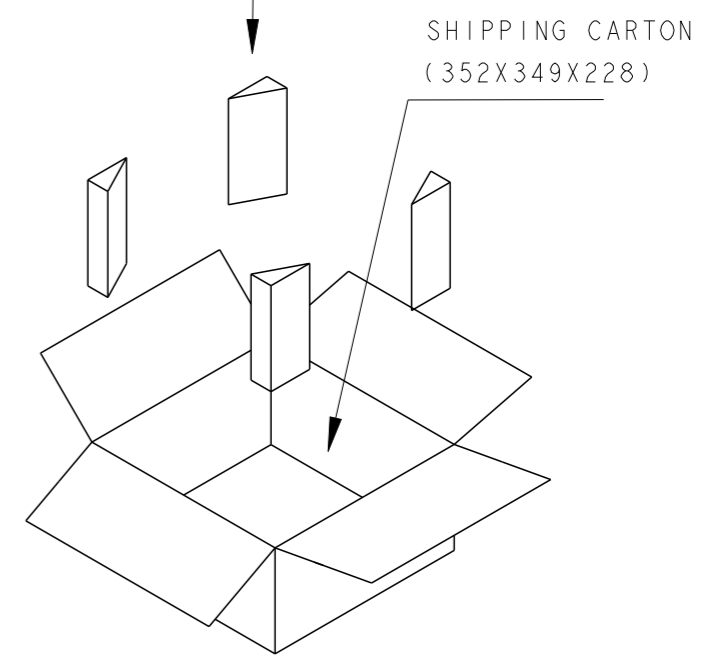
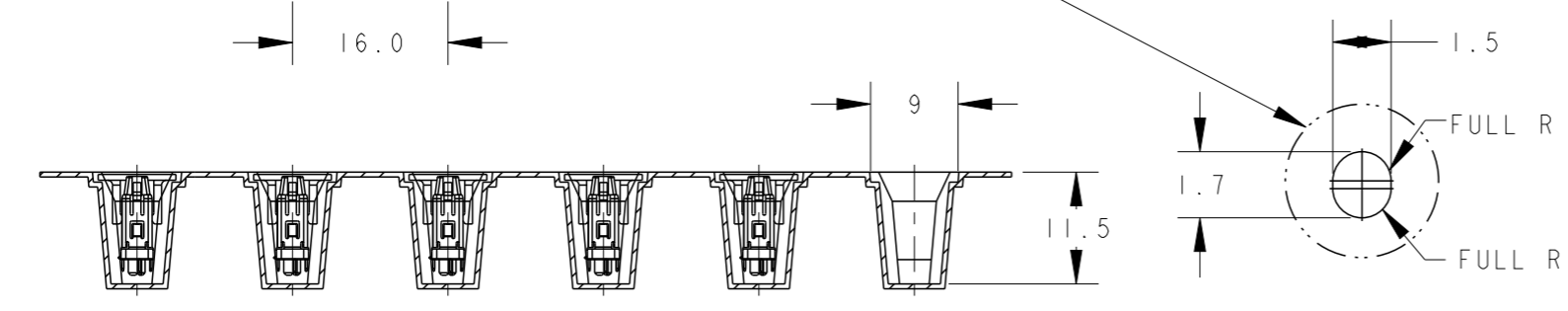
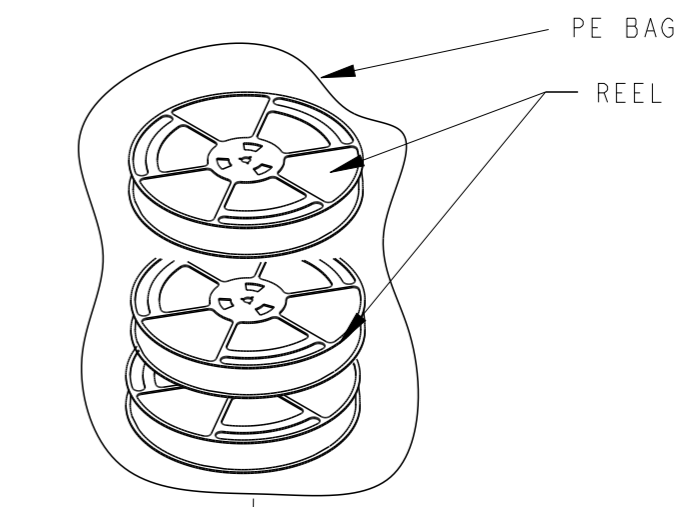
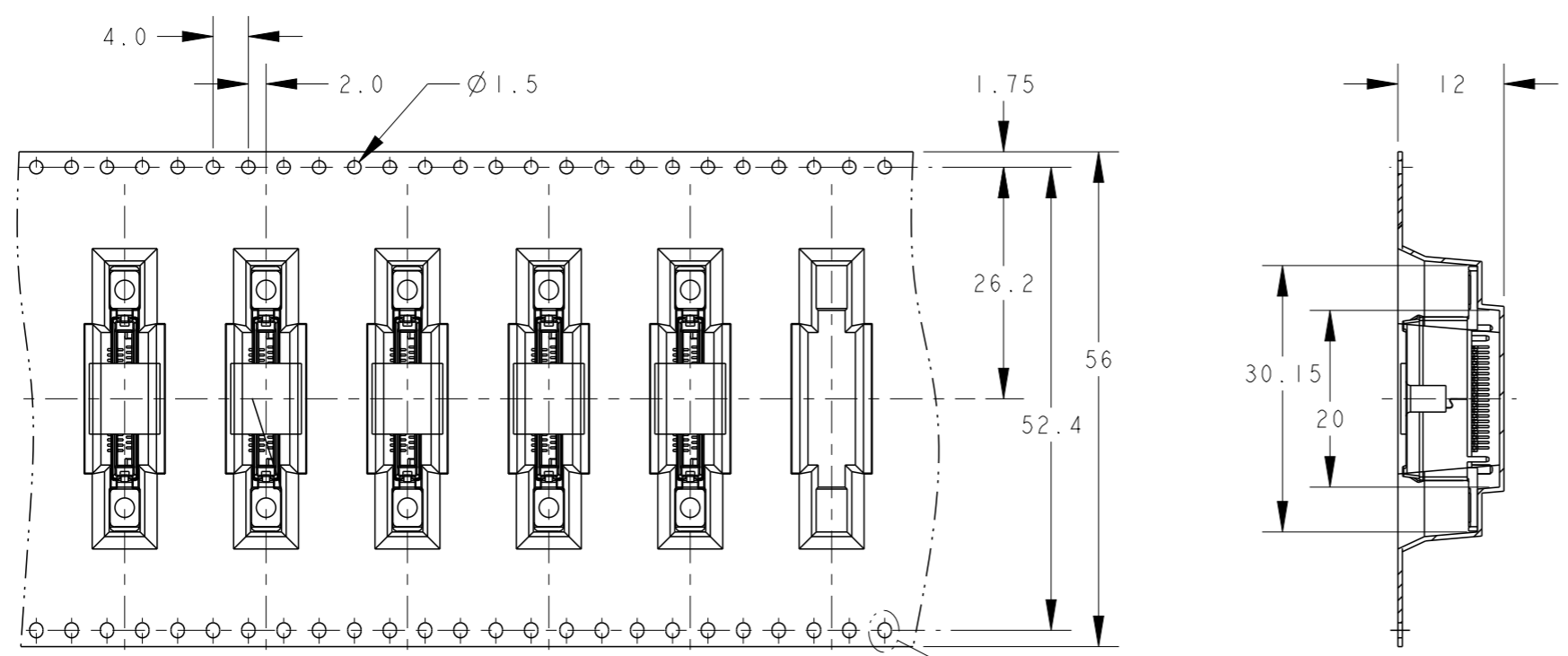
NAME
PLUG ASSY, 0.6mm PITCH
CHAMP DOCKING CONNECTOR, 40POS

SIZE	CAGE CODE	DRAWING NO	RESTRICTED TO
A3	00779	C-2129327	-

SCALE 8:1 SHEET 4 OF 5 REV A

THIS DRAWING IS UNPUBLISHED. RELEASED FOR PUBLICATION 20
 © COPYRIGHT 20 BY - ALL RIGHTS RESERVED.

LOC		DIST		REVISIONS					
DW				P	LTR	DESCRIPTION	DATE	DWN	APVD
				-		SEE SHEET 1	-	-	-



5. PACKING MATERIAL:
 CARRY TAPE: PS; COLOR:BLACK.
 COVER TAPE: PET; COLOR: CLEAR.
 PEELING STRENGTH OF COVER TAPE: 0.2N~1.2N

300	3	900
PCS/ TAPE	REELS/ CARTON	TOTAL QUANTITY

THIS DRAWING IS A CONTROLLED DOCUMENT.		DWN	-	STE TE Connectivity
DIMENSIONS: mm		CHK	-	
TOLERANCES UNLESS OTHERWISE SPECIFIED:		APVD	-	
Ø PLC ± 1 PLC ± 2 PLC ± ±0.5 3 PLC ± 4 PLC ± ANGLES ±3° MATERIAL - FINISH -		PRODUCT SPEC	-	
		APPLICATION SPEC	-	NAME PLUG ASSY, 0.6mm PITCH CHAMP DOCKING CONNECTOR, 40POS
		WEIGHT	-	SIZE A300779
		CUSTOMER DRAWING	-	CAGE CODE C-2129327
		SCALE	5:1	DRAWING NO
		SHEET	5 OF 5	RESTRICTED TO
		REV	A	