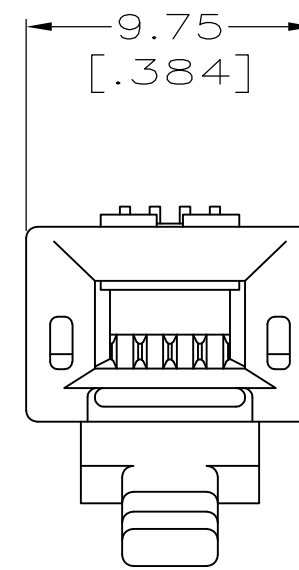
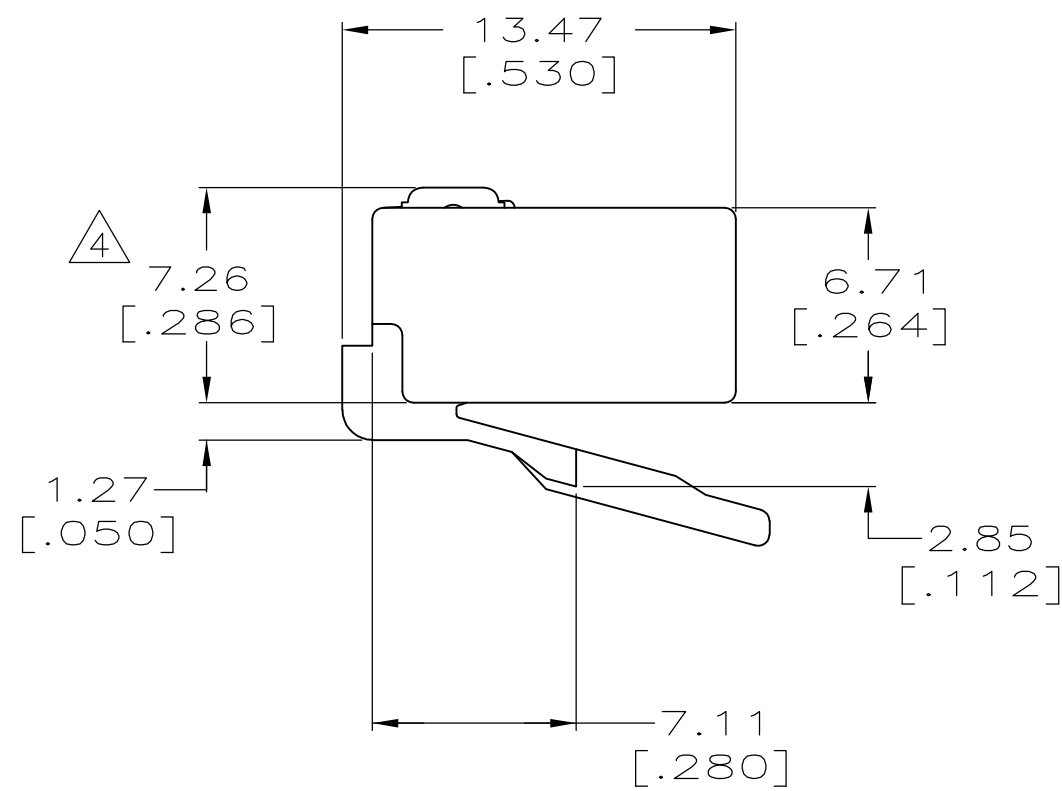
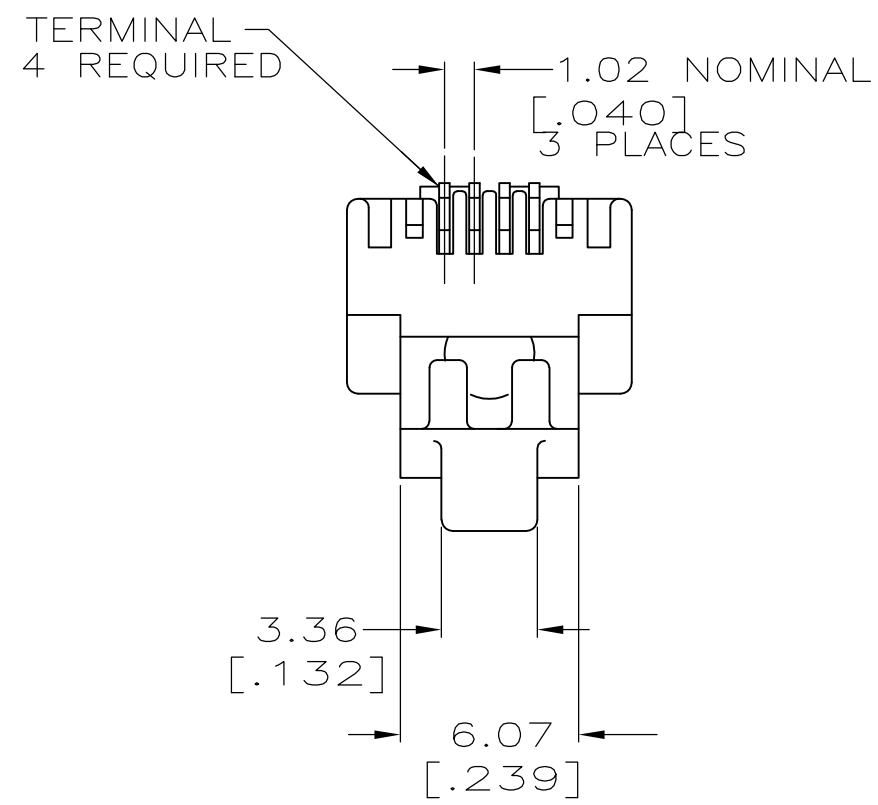
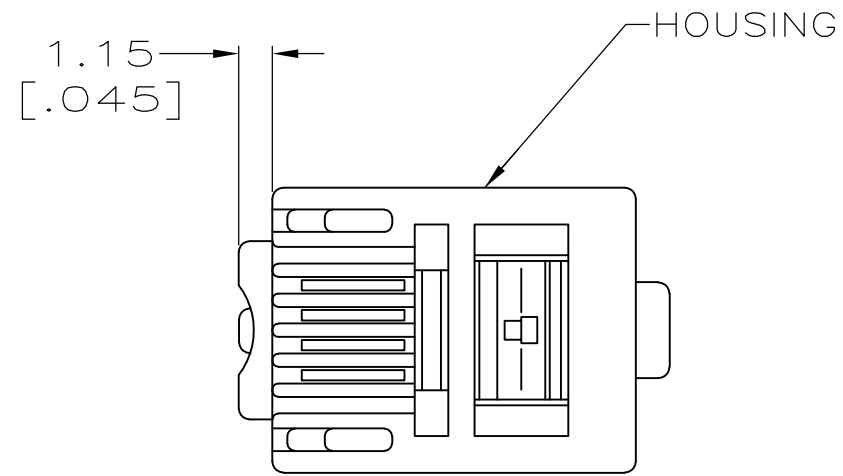


THIS DRAWING IS UNPUBLISHED. RELEASED FOR PUBLICATION
 © COPYRIGHT BY TYCO ELECTRONICS CORPORATION. ALL RIGHTS RESERVED.

LOC	DIST	REVISIONS			
P	LTR	DESCRIPTION	DATE	DWN	APVD
HM	00	G	REV ECO-08-004066	21FEB08	LH BM

- ① ALL DIMENSIONS SHOWN ARE MAXIMUM UNLESS OTHERWISE SPECIFIED.
- ② MATERIAL: HOUSING — POLYCARBONATE CLEAR. TERMINAL — 0.36[.014] THICK PHOSPHOR BRONZE PLATED WITH 1.27um [.000050] THICK GOLD IN THE LOCALIZED GOLD PLATE AREA, GOLD FLASH OVER THE REMAINDER, OVER 2.54um [.000100] THICK NICKEL UNDERPLATE.
- 3. PLUG WILL ACCEPT 24 OR 26 AWG SOLID WIRE HAVING A MAXIMUM INSULATION DIAMETER OF 0.99[.039] AND A MAXIMUM ROUND CABLE JACKET DIAMETER OF 2.54 [.100] OR OVAL CABLE JACKET OF 2.29 X 4.83[.090 X .190] MAXIMUM.
- ④ TERMINATED DIMENSION: 6.15[.242] MAXIMUM.
- ⑤ 1000 PIECES PER PACKAGE.
- ⑥ 100 PIECES PER PACKAGE.



⑥	LOOSE PIECE	5-556384-3
⑤		5-556384-2
PACKAGED	DESCRIPTION	PART NO.

THIS DRAWING IS A CONTROLLED DOCUMENT.		DWN L. HALL 21FEB2008	Tyco Electronics Corporation Harrisburg, PA 17105-3608	
DIMENSIONS: MM [INCHES]		CHK B. MCNEILL 21FEB2008	ABSOLETE NOT the LATEST REVISION	
TOLERANCES UNLESS OTHERWISE SPECIFIED:		APVD B. MCNEILL 21FEB2008		
0 PLC ± - ①		PRODUCT SPEC 108-1163		
1 PLC ± - ①		APPLICATION SPEC 114-6016		
2 PLC ± - ①		WEIGHT -	SIZE A2	CAGE CODE 00779
3 PLC ± - ①		CUSTOMER DRAWING	DRAWING NO. C=556384	RESTRICTED TO -
4 PLC ± - ①			SCALE 4:1	SHEET 1 of 1
ANGLES ± - ①			REV G	
FINISH - ②				